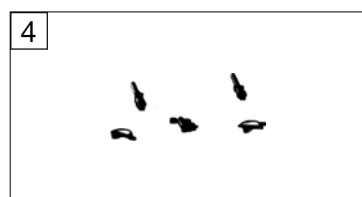
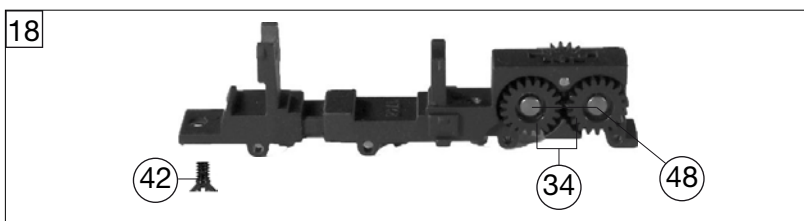
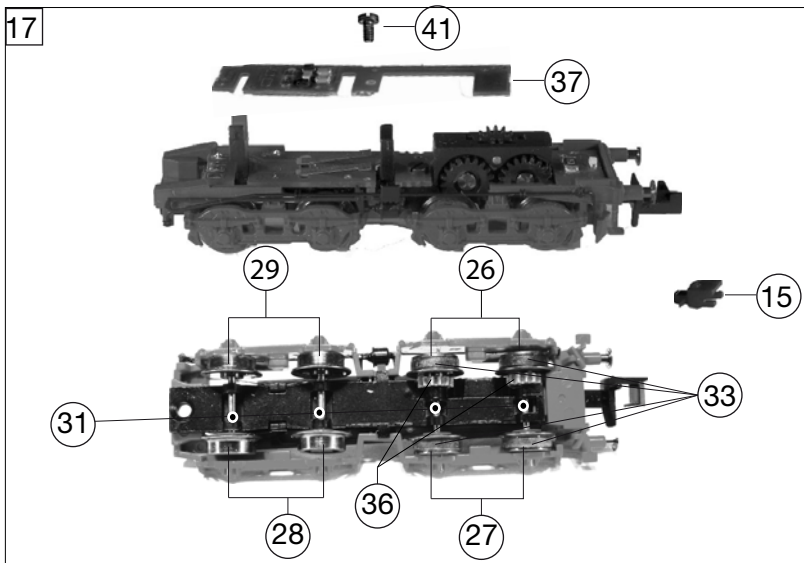
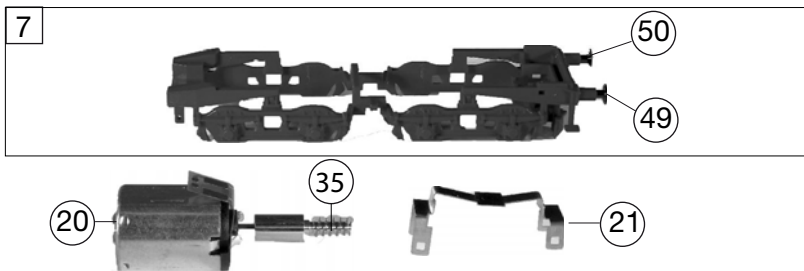


715205 BR 52 1413 DRB =		N	
Pos. Nr. Pos.no.	Beschreibung Description	Art.-Nr. Art.no.	Preisgruppe Price bracket
1	LOKGEHÄUSE KPL.BR 52 EP II loco chassis complete	10715205	029
2	UMLAUFBLECH running board	11715205	025
3	LICHTLEITER light conductor set	13715201	006
4	ZUGHAKEN-BREMSKUP.-KOLBENSTANG coupling hook break coupling, piston rod	19715205	---
5	PFEIFE whistle	00197605	004
6	TENDERGEHÄUSE KPL. Tender body complete	20715205	---
7	TENDERRAHMEN KPL. Tender framework complete	21715205	---
8	LEITER-TREPPE-HANDLAUF-ROHRLEI ladder-treadle-handrail-pipe	22715205	---
9	LICHTLEITER FUER TENDER light conductor for tender	23715201	006
10	LOKFAHRGESTELL KPL. Loco chassis complete	30715205	---
11	LOKFAHRGESTELL MIT RÄDERN loco chassis with wheels	31715205	---
12	STEUERUNG KPL.M.KUPPELSTANGEN Reversing gear complete with coupling rod	32715205	---
13	ABDECKPLATTE UNTEN cover plate bottom	33715205	---
14	VORLAUFGESETZ KPL. Carrying wheel set complete	37715205	---
15	ADAPTER adaptor	38702400	---
16	DEICHSEL coupling latch	38802500	---
17	TENDERFAHRGESTELL KPL.O.MOTOR tender chassis complete w/o motor	40715205	---
18	TENDERFAHRGESTELL MIT ZAHNRÄDE tender chassis with gear wheels	41715205	---
19	ZYLINDERKASTEN KPL.BR 52 cylinder box complete	48715205	---
20	MOTOR motor	50715201	030
21	MOTORHALTEBUEGEL motor retainer clip	50791400	002
22	KUPPELRAD ROT coupled wheel red	51714600	---
23	TREIBRAD LI. Driving wheel left side	51714700	---
24	TREIBRAD RE. Driving wheel right side	51714800	---
25	KUPPELRAD coupling wheel	51714900	---
26	LOKRAD M.N. GRAU LACK. Loco wheel with traction tyre	51715000	---
27	LOKRAD M.N. GRAU LACK. UGR loco wheel with traction tyre, grey, insulated	51715100	---
28	LOKRAD O.N. GRAU LACK. UGR loco wheel w/o traction tyre, grey, insulated	51715200	---
29	LOKRAD O.N. GRAU LACK. Loco wheel w/o traction tyre, grey	51715300	---
30	ACHSE axle	00527007	001
31	ACHSE axle	52701200	---
32	SCHEIBENRADSATZ KPL.F.VORLÄUF. Disc-type carrying wheelset	53712600	---
33	HAFTREIFEN traction tyre	00547001	001
34	ZAHNRAD gear wheel	56718100	---



715205		BR 52 1413 DRB	=	N
Pos. Nr. Pos. no.	Beschreibung Description	Art.-Nr. Art. no.	Preisgruppe Price bracket	
35	SCHNECKE MESS. D=3MM L=5,5 MM worm gear	56761600	006	
36	RITZEL Gear wheel	56762000	---	
37	LEITERPLATTE KPL. (TENDER) PCB complete (tender)	65714000	018	
38	LEITERPLATTE KPL. PCB complete	65714100	022	
39	LEITERPLATTE KPL. PCB complete	65714200	---	
40	SCHNITTST.-BLINDSTECKER 6-POL. Jumper 6-pin	00664005	013	
41	SCHRAUBE M 1,4 X 3 screw	00700203	001	
42	SCHRAUBE screw	00702304	001	
43	LINSENSCHRAUBE F.7181/82 button screw	00704902	002	
44	LINSENSCHRAUBE F.7339 button screw	00704904	002	
45	BLECHSCHRAUBE M.KREUZSCHLITZ tapping screw	00713309	001	
46	BOLZEN F.KUPPELSTANGE bolt for coupling rod	00730562	002	
47	BOLZEN F. KUPPELSTANGE Bolt for coupling rod	00730570	001	
48	BUNDBOLZEN F.7225 Flanged bolt	00730578	003	
49	STECKPUFFER (GEWÖLBT) plug-in buffer (curved)	75706600	---	
50	STECKPUFFER (FLACH) plug-in buffer (flat)	75706700	---	
51	ZUGFEDER SCHWARZ VERN. Draw spring black nickel-plated	76710800	---	
52	FEDERBÜGEL F.ZUGFEDER 76710800 spring clip for draw spring	76711100	---	
	STANDARD-KUPPLUNG standard coupling	9521	---	
	STANDARD-STECKKUPPLUNG standard clip in coupling	9525	---	
	PROFI-KUPPLUNG profi coupling	9541	---	
--	PROFI-STECKKUPPLUNG profi clip in coupling	9545	---	