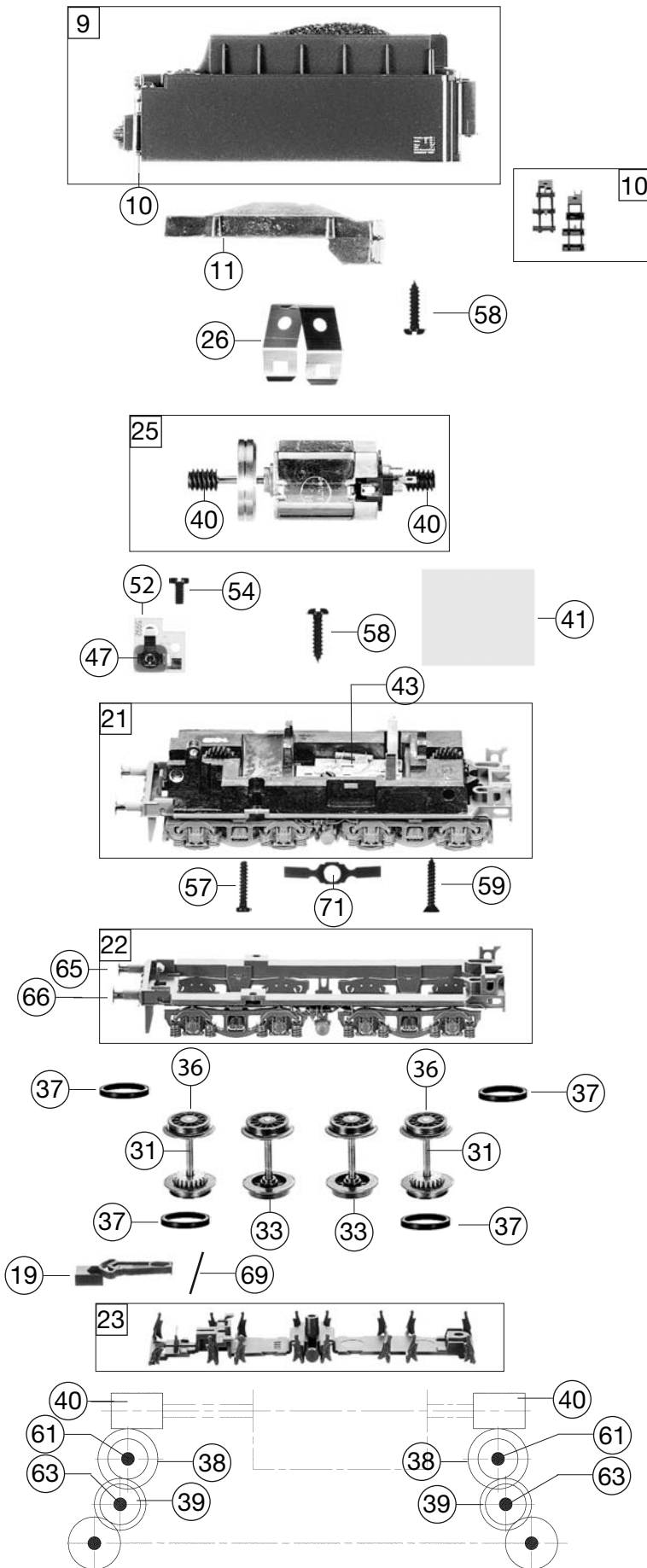


1103	BR 03 DB	03094	~	H0
Pos. Nr. Pos.no.	Beschreibung Description	Art.-Nr. Art.no.	Preisgruppe Price bracket	
1	LOKKESEL BR 03 DB Loco boiler complete w/o driver's cab	00104103	034	
2	FUEHRERHAUS KPL.F.4103 DB Driver's cab complete	00114103	020	
3	WITTE-WINDLEITBLECHE-SATZ WITTE wind deflectors -set	00124103	012	
4	LICHTLEITER-SATZ Light conductor set	00134103	009	
5	UMLAUFBLECH KPL. Running board complete	00154103	021	
6	KLEINTEILE-SATZ F.4103,-04,-05 Set of small parts	00190103	011	
7	LUFT-U.SPEISEPUMPE-SATZ Air-&waterpump -set	00194103	012	
8	KUPPLUNGSHAKEN Coupling hook	00194824	002	
9	TENDERGEHAEUSE Tender body complete	00204103	022	
10	LEITER U.AUFSTIEGSTRITTE/SATZ Ladder&treadle -set	00224103	012	
11	LICHTLEITER/TENDER (o. Abb.) Light conductor (tender) (w/o illustr.)	00234103	002	
11	TENDERBESCHW./4103/4/5/30/2/6 Tender balast	00264103	015	
12	LOKFAHRGESTELL Loco chassis complete	00301103	045	
13	STEUERUNG KPL. Reversing gear complete	00324103	033	
14	ZYLINDERKASTEN SATZ/BR 03 DB Cylinder l&r -set	00334103	012	
15	LOK-TENDERKUPPLUNG-SATZ Coupling between loco and tender -set	00344139	009	
16	RAUCHKAMMERTRAE.M.LAMPEN Smoke box support with lamps	00354103	013	
17	VORLAUFGESTELL F.1103 Bogie (front)	00371103	022	
18	KUPPLUNGSADAPTER Coupling adaptor	00384001	006	
19	KUKU-DEICHSEL TENDERSEITE Short coupling reception, tender side	00384014	006	
20	NACHLAUFGESTELL F. 1103 Set of carrying wheels (rear), with pressure spring	00391103	015	
21	TENDERFAHRGESTELL O.MOTOR Tender chassis complete w/o motor	00401103	036	
22	TENDERRAHMEN KPL.F.4103 Tender framework	00414103	017	
23	ABDECKPLATTE F.TENDER Cover plate for tender	00434103	011	
24	RAUCHKAMMERSTUETZE Smoke box support	00454103	007	
26	MOTOR KPL.M.SCHWUNGMASSE Motor with flywheel, complete	00504103	025	
27	MOTORHALTER F.5-POL.BUEHLERMOT Motor retainer clip	00504904	002	
27	T.RAD O.Z.O.N 12 SPEICHEN (o. Abb.) Tender wheel w/o gear, w/o traction tyre (w/o ill.)	00514190	006	
27	T.RAD O.Z.M.N. 12 SPEICHEN (o. Abb.) Tender wheel w/o gear, with traction tyre (w/o ill.)	00514192	006	
27	L.RAD F.VORLAUF (o. Abb.) Bogie wheel (w/o illustr.)	00514229	009	
27	TREIBRAD LINKS Left driving whee	00514332	008	
29	KUPPELRAD LINKS Left coupled wheel	00514334	008	
30	TREIBRAD RECHTS ISOL Right driving wheel, insulated	00514340	008	
31	ACHSE Axle	00524009	005	
32	ACHSE Axle	00524011	001	
34	VORLAUF-RADSATZ Set of bogie wheels (front)	00534029	015	
35	RS.NACHLAUFGEST.F.1103/1104 Set of carrying wheels (rear)	00534056	012	



1103	BR 03 DB	03094	~	HO
Pos. Nr. Pos.no.	Beschreibung Description	Art.-Nr. Art.no.	Preisgruppe Price bracket	
36	TENDER-RS.M.Z.M.N.1103/1104 Tender wheelset with gear, with traction tyre	00534057	015	
33	TENDERRADSATZ O.Z.O.N. 1103/04 Tender wheelset w/o gear, w/o traction tyre	00534060	012	
37	HAFTREIFEN HO Traction tyre H0	00544007	001	
38	UNTERSETZUNGSRAD Z:23/16 SCHWA Reduction gear wheel Z:23/16, black	00564153	005	
39	UNTERSETZUNGSRAD Z:20/16 SCHWA Reduction gear wheel Z:20/16, black	00564154	006	
40	SCHNECKE F.MOTOR 504103 Motor worm gear	00564609	006	
41	ISOLIERPLATTE Isolating plate	00564752	001	
42	DISTANZRING Spacer ring	00564775	002	
43	STROMABNEHMEREINS.TENDER 03/41 Tender power pick-up assembly	00600103	016	
44	ABDECKPLATTE Cover plate bottom side with contacts	00601103	018	
45	DRÜCKFE.M.KAPPE U.BUNDBOL/SATZ Pressure spring with cap&flanged bolt -set	00614803	009	
46	RADKONTAKTFEDER Wheel contact spring	00614960	001	
49	LAMPENKONTAKTHALTER Lamp contact support	00634179	012	
	SELENPLAETTCHEN (o. Abb.) Diode (w/o illustration)	00644000	001	
	VENTILZELLE (o. Abb.) Diode (w/o illustration)	00644009	009	
	ENTSTOERDROSSEL (o. Abb.) Suppressor choke (w/o illustration)	00644101	007	
52	SCHALTPL.TENDER 4103/4/5/30 Switch plate	00654054	013	
	SCHLEIFER (o. Abb.) Center pick-up (w/o illustration)	00692004	012	
54	SCHRAUBE Screw	00700404	001	
55	SCHRAUBE Screw	00700405	001	
56	SENKKOPFBLECHSCHRAUBE KREUZSCH Countersunk tapping screw	00712509	001	
57	BLECHSCHRAUBE M.KREUZSCHLITZ Tapping screw	00713309	001	
58	BLECHSCHRAUBE 2,2X9,5 BRÜN. Tapping screw 2.2X9.5	00713509	001	
59	SENKKOPFBLECHSCHR.2,2X13 KS Countersunk tapping screw B 2.2x13	00714513	001	
	SCHRAUBE (o. Abb.) Screw (w/o illustration)	00730003	001	
60	ANSATZSCHRAUBE Flanged screw	00730009	002	
61	ZYLINDERSTIFT Cylinder pin	00730515	002	
62	SPLINT F. KUPPLUNGSADAPT Split pin for coupling adaptor	00730525	001	
63	ZYLINDERSTIFT 2 X 10 Cylinder pin 2x10	00730538	001	
64	GESTAENGEBOLEN F.BR 03 Linkage pin	00730549	002	
65	Steckpuffer Plug-in buffer, curved	00754006	002	
66	STECK-PUFFER FLACH Plug-in buffer, flat	00754015	002	
67	PUFFERBOHLE KPL.F.4103 Front side framework complete	00754103	016	
68	BLATTRICHTFEDER L=9,5MM Flat straightening spring L=9.5MM	00764007	001	
69	DRAHTRICHTFEDER L=19 MM Thread straightening spring L=19MM	00764018	002	
70	BLATTFEDER F.TREIB-RS 4103/04 Flat spring for driving wheelset	00764319	001	
71	BLATTFEDER F.TENDER-RS 4103/04 Flat spring for tender wheelset	00764320	001	
	Fleischmann- Steckkupplung (f. Vorlauf, o. Abb.) Fleischmann plug-in coupling (f. Bogie, w/o illustr.)	6509	---	
76	ERS.-GLUEHLAMPE KLAR M.STECKFA Replacement bulb, clear, with plug-in socket	00006535	008	
	Fleischmann- Steckkupplung (o. Abb.) Fleischmann plug-in coupling (w/o illustration)	6510	---	
	Standard- Steckkupplung ( o. Abb.) Standard- coupling (w/o illustration)	6511	---	
	PROFI-STECKKUPPLUNG Profi coupling	6515	---	

Änderungen in Konstruktion und Ausführung vorbehalten  
We reserve the right to change the construction and specification