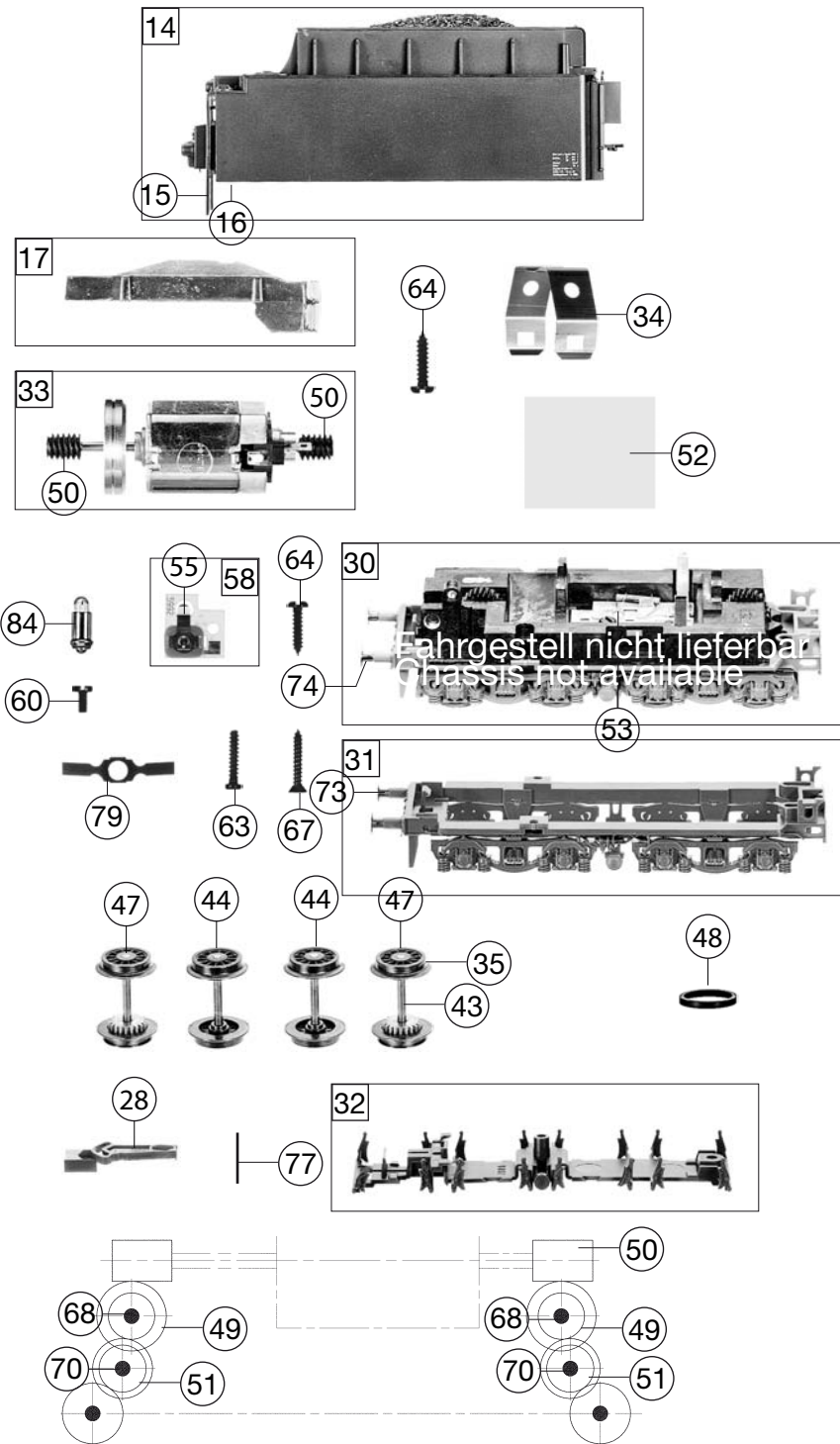


Pos. Nr. Pos.no.	Beschreibung Description	Art.-Nr. Art.no.	Preisgruppe Price bracket
1	LOKKESEL BR 39 DB 413671 Loco boiler complete w/o driver's cab	10413671	033
2	FUEHRERHAUS KPL.F.BR 39 DB Loco driver's cab, complete	11413601	018
3	WITTE-WINDLEITBLECHE-SATZ WITTE wind deflectors -set	00124065	011
	LICHTLEITER-SATZ (o. Abb.) Light conductor set (w/o illustration)	00134138	009
	LICHTLEITER (o. Abb.) Light conductor (w/o illustration)	00134139	005
6	DECKPLATTE OBEN Upper cover plate	00144139	012
7	UMLAUFBLECH F. BR 39 DB Running board	15413601	025
9	GRIFSTANGEN-S. F.BR 39 Hand-rail -set	00190138	012
10	ZWISCHENWELLE M.GEGENKURB.- S. Intermediate shaft with return crank	00194135	012
11	PFEIFE Whistle	00194607	004
12	SICHERHEITSVENTIL F. BR 39 Safety valve	00194708	002
13	LAMPE M. BUEGEL F. BR 39 REICHSBAHN lamp	00194818	008
14	TENDERGEHAEUSE BR 39 DB Tender body complete	20413601	022
15	AUFSTIEGSTRIITTE/SATZ SCHWARZ Ladder&treadle -set, black	22413601	012
16	LICHTLEITER/TENDER Light conductor (Tender)	00234103	002
17	TENDERBESCHW./4103/4/5/30/2/6 Tender ballast	00264103	015
18	LOKFAHRGESTELL KPL.F.413601(n. liefb.) Loco chassis complete with interface (n/a)	30413601	046
19	ABDECKPLATTE UNTEN (n. liefb.) Lower cover plate (n/a)	00314139	012
20	STEUERUNG KPL.LI.M.KPL.STANGEN Left reversing gear complete with coupling rod	00324135	029
21	STEUERUNG KPL.RE.M.KPL.STANGEN Right reversing gear complete with coupling rod	03241351	029
22	ZYLINDERKASTEN SATZ/BR 39 Cylinder I&r -set	00334139	013
23	LOK-TENDERKUPPLUNG-SATZ Coupling between loco and tender -set	00344139	009
24	KESELSTUETZE Boiler support	00354139	006
25	STEHKESELUNTERTEIL F.74138 Fire box base	00364138	008
26	VORLAUFGESTELL F.BR 39 Set of carrying wheels (front)	00374139	016
27	KUPPLUNGSADAPTER Coupling adaptor	00384001	006
28	KUKU-DEICHEL TENDERSEITE Short coupling reception, tender side	00384014	006
29	NACHLAUFGESTELL Set of carrying wheels (rear)	00394139	014
30	TENDERFAHRGESTELL O.MOTOR BR39 (n. liefb.) Tender chassis complete w/o motor (n/a)	40413601	036
31	TENDERRAHMEN KPL.BR 38 ROT Tender framework, red	41413601	022
32	ABDECKPLATTE F.TENDER Cover plate for tender	00434103	011
33	MOTOR KPL.M.SCHWUNGMASSE Motor with flywheel, complete	00504103	025
34	MOTORHALTER F.5-POL.BÜHLERMOT Motor retainer clip	00504904	002
35	T.RAD O.Z.M.N.ISO.ROT Tender wheel w/o gear, with traction tyre, insul., red	00514193	007
36	TREIBRAD LINKS F.BR 39 Left driving wheel	00514277	007
37	TREIBRAD KL.GEGENGEWI.BR 39 Left driving wheel	00514278	007
38	KUPPELRAD LINKS BR 39 Driving wheel with small counterweight	00514279	007



73	STECKPUFFER GEWÖL.M.WEIß.RING Plug-in buffer, curved, with white ring	00754040	006
74	STECKPUFFER FLACH.M.WEIß.RING Plug-in buffer, flat, with white ring	00754041	006
75	PUFFERBOHLE KPL.F.BR 38 DB Front side framework complete	75413601	019
	BLATTRICHTFEDER L=9,5MM (o. Abb.) Flat straightening spring L=9.5mm (w/o illustr.)	00764007	001
77	DRAHTRICHTFEDER L=19 MM Thread straightening spring L=19mm	00764018	002
78	ANDRUCKFEDER F. VOR.-NACHLAUF Pressure spring for wheelset front/rear	00764309	002
79	BLATTFEDER F.TENDER-RS Flat spring for tender wheelset	00764320	001
	Fleischmann- Steckkupplung (Lok) (o. Abb.) Fleischmann plug-in coupling (loco) (w/o illustr.)	6509	---
	Fleischmann- Steckkupplung (o. Abb.) Fleischmann plug-in coupling (w/o illustration)	6510	---
	Standard- Steckkupplung (o. Abb.) Standard- coupling (w/o illustration)	6511	---
	PROFI-STECKKUPPLUNG Profi coupling	6515	---
84	ERS.-GLUEHLAMPE KLAR M.STECKFA Replacement bulb, clear, with plug-in socket	00006535	008

393671	BR 39 DB	39225	~	HO
Pos. Nr. Pos.no.	Beschreibung Description	Art.-Nr. Art.no.	Preisgruppe Price bracket	
39	TREIBRAD RE.ISO BR 39 Right driving wheel, insulated	00514280	008	
40	TREIBRAD KL.GEGENWEIß.ISO BR 39 Driving wheel with small counterweight, insulated	00514281	008	
41	KUPPELRAD RECHTS ISO BR 39 Right coupled wheel, insulated	00514282	008	
42	ACHSE GERAENDELT 20 MM Milled axle, 20mm	00524006	002	
43	ACHSE Axle	00524009	005	
44	TENDERRADSATZ O.Z.O.N. Tender wheelset w/o gear, w/o traction tyre	00534028	011	
45	NACHL.RADSATZ ROT F.BR 22/39 Carrying wheelset (rear)	00534033	012	
46	VORL.RADS.F.BR 13/22/39/78/91 Bogie wheelset	00534042	011	
47	TENDER-RS.M.Z.M.N. Tender wheelset with gear, with traction tyre	00534054	015	
48	HAFTREIFEN HO Traction tyre HO	00544007	001	
49	UNTERSETZUNGSRAD Z:23/16 SCHWA Reduction gear wheel Z:23/16, black	00564153	005	
50	SCHNECKE F.MOTOR 504103 Motor worm gear	00564609	006	
51	UNTERSETZUNGSRAD Z:20/16 SCHWA Reduction gear wheel Z:20/16	00564154	006	
52	ISOLIERPLATTE Isolating plate	00564752	001	
53	STROMABNEHMEREINS.TENDER 03/41 (n.lief.) Tender power pick-up assembly (n/a)	00600103	016	
54	STROMABNEHMEREINS.F.BR 39 DIG. (n. lief.) Loco power pick-up assembly (n/a)	00600404	018	
55	KONTAKTFEDER F.VENTILZELLE Contact spring for diode	00614968	001	
	HALTEPLATTE F.74138 DECODER (o. Abb.) Mounting bracket for decoder	00624138	006	
	KONTAKTPILZGARNITUR L:9 MM (o.Abb) Contacter pin assembly (w/o illustr.)	00644408	011	
57	BUCHSENLEISTE 6-POL.F.SCHNITT. Connector interface, 6-pin	00654073	014	
58	SCHALTPLATTE 4.105,4130,4132 Switch plate complete	00654074	012	
59	STECKER 6-POLIG NEM 651 Jumper, 6-pin	00666846	015	
	SOUND-DECODER (o. Abb.) (nicht lieferbar) Sound decoder (w/o illustr.) (not available)	68413671	---	
60	SCHRAUBE Screw	00700404	001	
61	SCHRAUBE F.STEUERUNG BR 39 Screw for reversing gear	00709405	004	
	LINSENSCHRAUBE (o. Abb.) Button screw (w/o illustr.)	00710305	001	
62	SENKKOPFBLECHSCHRAUBE KREUZSCH Countersunk tapping screw	00712509	001	
63	BLECHSCHRAUBE M.KREUZSCHLITZ Tapping screw	00713309	001	
64	BLECHSCHRAUBE 2,2X9,5 BRÜN. Tapping screw 2.2x9.5	00713509	001	
65	SCHRAUBE Screw	00713513	001	
66	SCHRAUBE Screw	00713516	001	
67	SENKKOPFBLECHSCHR.2,2X13 KS Countersunk tapping screw B 2.2x13	00714513	001	
68	ZYLINDERSTIFT Cylinder pin	00730515	002	
	SPLINT F. KUPPLUNGSADAPT (o. Abb.) Split pin for coupling adaptor (w/o illustr.)	00730525	001	
70	ZYLINDERSTIFT 2 X 10 Cylinder pin 2x10	00730538	001	
71	GESTAENGEBOLENZEN Linkage pin	00730549	002	
72	GESTAENGEBOLENZEN KUNSTSTOFF Plastic linkage pin	00730568	001	