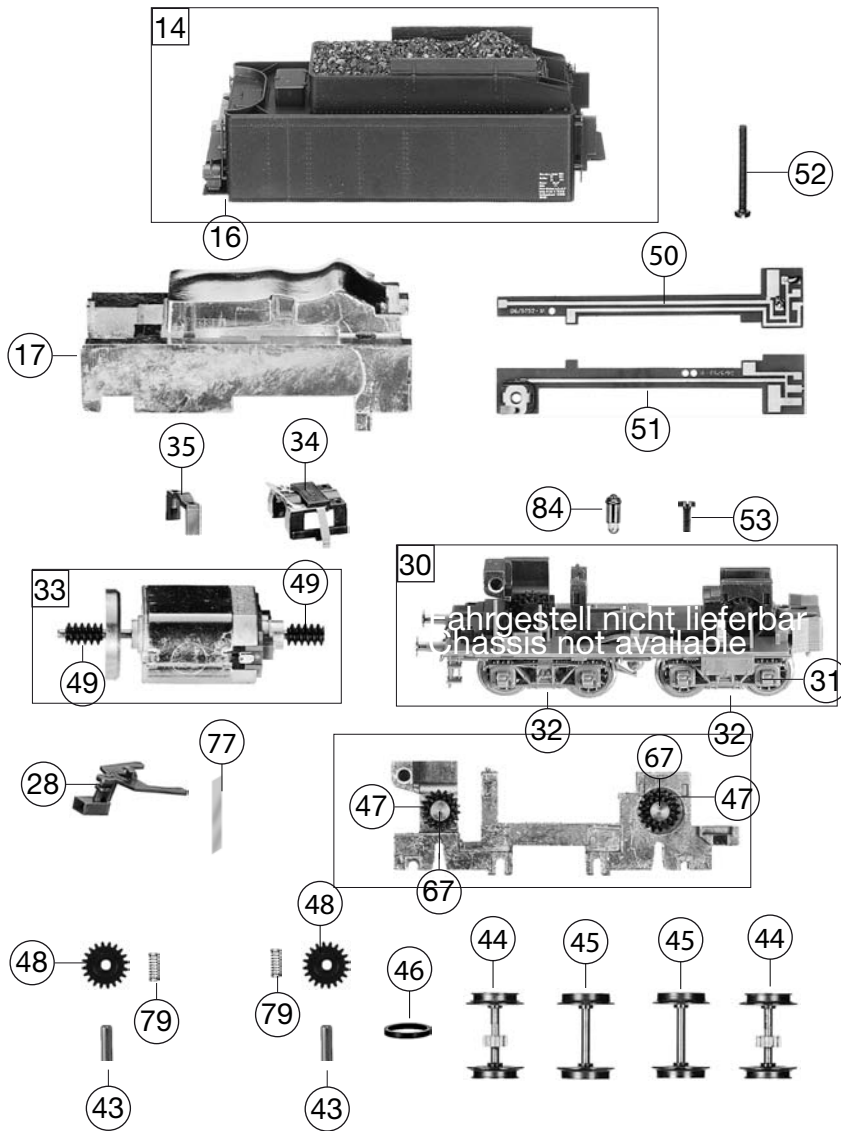


Pos. Nr. Pos. no.	Beschreibung Description	Art.-Nr. Art. no.	Preisgruppe Price bracket
1	LOKESSEL BR 39 P10 Loco boiler complete w/o driver's cab	10413871	037
2	FUEHRERHAUS KPL.BR P10 DRG Loco driver's cab, complete	11413801	018
3	WAGNER-WINDLEITBLECHE-SATZ WAGNER wind deflectors -set	00124139	012
	LICHTLEITER (o. Abb.) Light conductor (w/o illustration)	00134139	005
6	DECKPLATTE OBEN MIT VORWÄRMER Upper cover plate with pre-heater	14413801	013
7	UMLAUFBLECH F.P10 DRG Running board	15413801	025
9	GRIFSTANGEN-S.F.BR 39 MESSING Hand-rail -set (brass)	19413801	012
	KLEINTEILE-SATZ F.STEUER (o. Abb.) Set of small parts for reversing gear (w/o illust.)	19413801	012
11	PFEIFE Whistle	00194607	004
12	SICHERHEITSVENTIL F. BR 39 Safety valve	00194708	002
	HANDRAD (o. Abb.) Handwheel (w/o illustration)	00194716	006
13	REICHSBAHNLATERNE VORN REICHSBAHN lamp, front	00194804	008
	BREMSSCHLAEUCH-SATZ (o. Abb.) Brake hose-pipe set (w/o illustration)	00194815	011
14	TENDERGEHAEUSE BR 39 DRG Tender body complete	20413801	028
	LUFTKESSEL AM TENDER /ROTBRAUN (o. Abb.) Air tank at tender, redbrown (w/o illustration)	22413801	006
16	LICHTLEITER/TENDER Light conductor (Tender)	00234139	005
17	TENDERBESCHWERUNG 4137 Tender ballast	00264138	017
18	LOKFAHRGESTELL DC KPL.F.413801 (n. liefb.) Loco chassis complete with interface (n/a)	30413801	045
19	ABDECKPLATTE UNTEN (LOK) (n. liefb.) Lower cover plate (loco) (n/a)	31413801	012
20	STEUERUNG KPL. LI. EINSCHL. KU Left reversing gear complete with coupling rod	32413801	029
21	STEUERUNG KPL. RE. EINSCHL. KU Right reversing gear complete with coupling rod	32413801	029
22	ZYLINDERKASTEN SATZ/BR 39 DRG Cylinder I&r -set	33413801	017
23	LOK-TENDERKUPPLUNG-SATZ Coupling between loco and tender -set	00344139	009
24	KESSELSTUETZE Boiler support	00354139	006
25	STEHKESSELUNTERTEIL Fire box base	36413801	008
26	VORLAUFGEST.KPL.F.BR39/P10 DRG Set of carrying wheels (front)	37413801	017
27	KUPPLUNGSADAPTER Coupling adaptor	00384001	006
28	KUKU-DEICHEL TENDER/HINTEN Short coupling reception, tender side (rear)	38403200	006
29	NACHLAUFGE..KPL.F.BR39/P10 DRG Set of carrying wheels (rear)	39413801	017
30	TENDERFAHRGEST.O.MOT. BR39 DRG (n. liefb.) Tender chassis complete w/o motor (n/a)	40413801	035
31	TENDERRAHMEN KPL.BR38/P10 Tender framework	41413801	022
32	TENDERABDECKPL.HINT./VORN-SATZ Cover plates for tender, front/rear -set	43413801	011
	LICHTABDECKUNG (o. Abb.) Light cover (w/o illustration)	00454139	004
33	MOTOR M.SCHWUNGM.F.BR 39 Motor with flywheel, complete	00504138	025
34	MOTORHALTER F.4165/BR 39 U.56 Motor retainer clip	00504902	004
35	MOTORHALTER M.KONTAKTEN Motor retainer clip with contacts	00504905	015
36	LOKRAD GR.GEGENGEW. Left driving wheel, big counterweight	51438100	007



74	STECK-PUFFER FLACH Plug-in buffer, flat	00754015	002
75	PUFFERBOH.KPL.BR P10 DRG EP.II Front side framework complete	75413801	017
77	BLATTRICHTF.F. TENDER L=30MM Flat straightening spring (tender) L=30mm	00764005	002
	BLATTRICHTFEDER L=9,5MM (o. Abb.) Flat straightening spring L=9.5mm (w/o illust.)	00764007	001
78	ANDRUCKFEDER F. VOR.-NACHLAUF Pressure spring for wheelset front/rear	00764309	002
79	DRUCKFEDER F.TENDERRADSATZ Pressure spring for tender wheelset	00764310	001
	Fleischmann- Steckkupplung (Lok) (o. Abb.) Fleischmann plug-in coupling (loco) (w/o illust.)	6509	---
	Fleischmann- Steckkupplung (o. Abb.) Fleischmann plug-in coupling (w/o illustration)	6510	---
	Standard- Steckkupplung (o. Abb.) Standard- coupling (w/o illustration)	6511	---
	PROFI-STECKKUPPLUNG Profi coupling	6515	---
84	ERS.-GLUEHLAMPE KLAR M.STECKFA Replacement bulb, clear, with plug-in socket	00006535	008

393871	BR 39 DRG	39062		~	HO
Pos. Nr. Pos.no.	Beschreibung Description	Art.-Nr. Art.no.	Preisgruppe Price bracket		
37	LOKRAD MITTL.GEGENGEW. Left driving wheel, medium counterweight	51438200	007		
38	KUPPELRAD LINKS ROTBRAUN BR39 Left coupled wheel, redbrown	51438300	009		
39	TREIBRAD RE.ISO BR 39 Right driving wheel, big counterweight	51438400	009		
40	LOKRAD GR.BOHRG.MITTL.GEGENGEW Right driving wheel, medium counterweight	51438500	008		
41	KUPPELRAD RECHTS ISO BR 39 Right coupled wheel	51438600	009		
42	ACHSE 10 MM Axle 10mm	00524002	002		
43	ACHSE GERAENDELT 20 MM Milled axle 20mm	00524006	002		
44	RADSATZ KPL.M.N.+M.Z. Tender wheelset with gear, with traction tyre	53414500	009		
45	TENDERRADSATZ O.Z.O.N.ISO. Tender wheelset w/o gear, w/o traction tyre	53414600	012		
46	RADSATZ KPL.O.N.O.Z. eins.ISO (o. Abb.) Tender wheel w/o gear, w/o trac. tyre, insul., (w/o illust.)	53414700	009		
47	RADSATZ KPL.O.N.O.Z. Tender wheel w/o gear, w/o trac. tyre (w/o illust.)	53414800	009		
46	HAFTREIFEN HO Traction tyre H0	00544007	001		
47	UNTERSETZUNGSRAD Z:18/13 SCHWA Reduction gear wheel Z:18/13, black	00564130	002		
48	ZAHNRAD Z:20 Gear wheel Z:20	00564161	005		
49	SCHNECKE Motor worm gear	00564606	005		
54	STROMABNEHMEREINS.F.BR 39 DIG. (n. liefb.) Loco power pick-up assembly (not available)	00600404	018		
	HALTEPLATTE F.74138 DECODER (o. Abb.) Mounting bracket for decoder (w/o illust.)	00624138	006		
54	ENTSTOERKONDENSATOR (o. Abb.) Anti-noise capacitor (w/o illust.)	00644202	006		
	KONTAKTPILZGARNITUR L:9 MM (o. Abb.) Contacter pin assembly (w/o illustr.)	00644408	011		
57	BUCHSENLEISTE 6-POL.F.SCHNITT. Connector interface, 6-pin	00654073	014		
50	SCHALTPL.LINKS F.TENDER Left tender PCB	00654099	012		
51	SCHALTPL.RECHTS F.TENDER Right tender PCB	00654100	014		
59	STECKER 6-POLIG NEM 651 Jumper, 6-pin	00666846	015		
	SCHALTLEITZE SCHWARZ 350 MM (o. Abb.) Cable, black, 350mm (w/o illust.)	00667000	009		
	SCHALTLEITZE BRAUN 350 MM (o. Abb.) Cable, brown, 350mm (w/o illust.)	00667001	009		
60	SCHRAUBE Screw	00700404	001		
52	SCHRAUBE F.TENDERGEHAEUSS Screw for tender body	00700420	001		
53	SCHRAUBE Screw	00700905	001		
61	SCHRAUBE F.STEUERUNG BR 39 Screw for reversing gear	00709405	004		
	LINSENSCHRAUBE (o. Abb.) Button screw (w/o illust.)	00710305	001		
65	SCHRAUBE Screw	00713513	001		
66	SCHRAUBE Screw	00713516	001		
67	BOLZEN F. ZAHNRAD Bolt for gear wheel	00730517	003		
	SPLINT F. KUPPLUNGSADAPT (o. Abb.) Split pin for coupling adaptor (w/o illustr.)	00730525	001		
71	GESTAENGE BOLZEN Linkage pin	00730549	002		
72	GESTAENGE BOLZEN KUNSTSTOFF Plastic linkage pin	00730568	001		
73	Steckpuffer Plug-in buffer, curved	00754006	002		