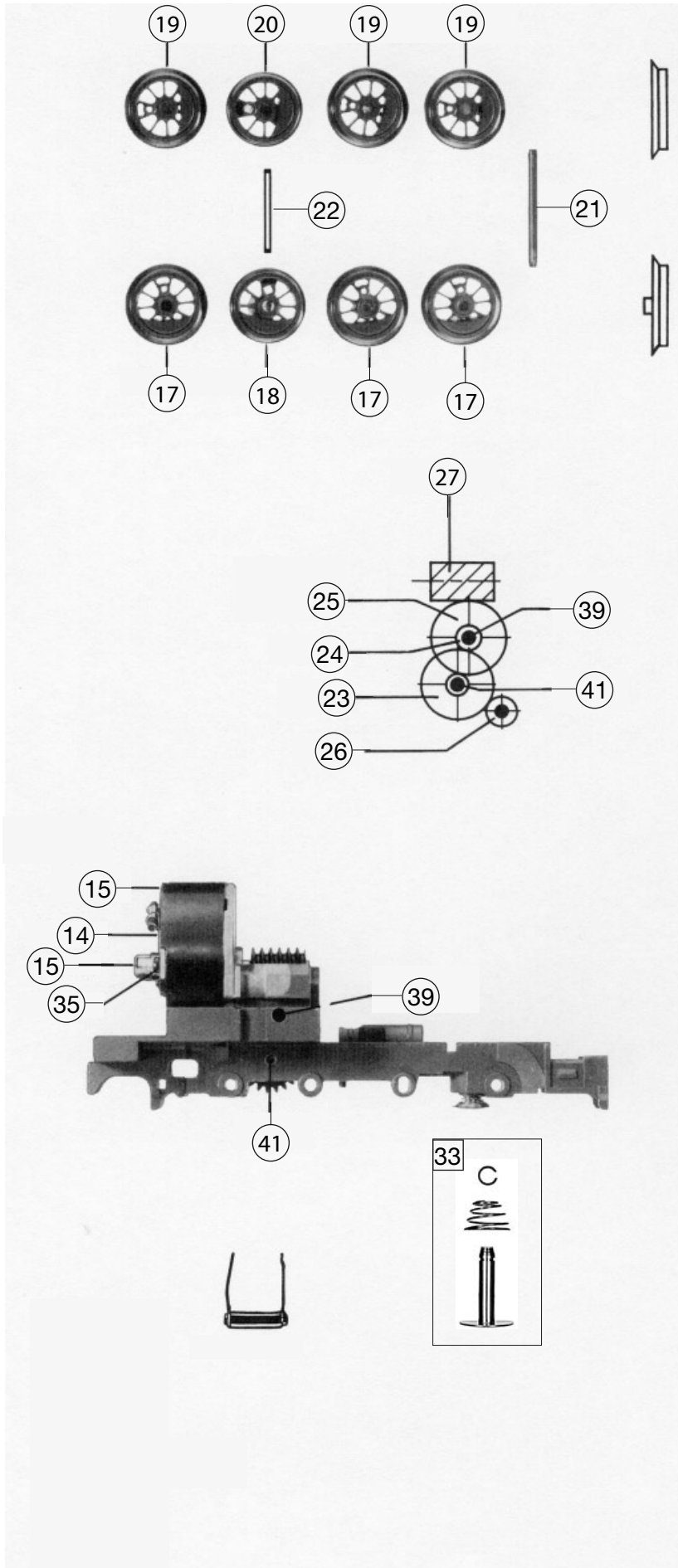


| 409803 | BR 98 DB | 98810 | = | HO |
|---------------------|---|---------------------|------------------------------|----|
| Pos. Nr. Pos.no. | Beschreibung Description | Art.-Nr. Art.no. | Preisgruppe Price bracket | |
| 1 | LOKGEHAEUSE BR 98.8 Body assembly complete | 10409803 | 038 | |
| | LICHTLEITER-SATZ (o. Abb.) Light conductor set (w/o illustration) | 00134098 | 009 | |
| 3 | UMLAUFBLECH Running board | 00154098 | 018 | |
| 4 | KLEINTEILE-SATZ Set of small parts | 00194098 | 007 | |
| | KUPPLUNGSHAKEN (o. Abb.) Coupling hook (without illustration) | 00194824 | 002 | |
| 6 | NUMMERSCHILD AM RESTAST GESTEM Number plate | 19489900 | --- | |
| 7 | GRIFFTANGEN-SATZ F.4098 Hand-rail -set | 00194827 | 014 | |
| 8 | KUKU-DEICHSEL Short coupling reception | 00384007 | 006 | |
| 9 | LOKFAHRGEST.M.MOTOR u.S BR 98 Chassis complete with motor&interface | 40409803 | --- | |
| 10 | LOKFAHRGEST.M.GETR.U.RAEDERN Chassis with motor, gear, wheels&coupling rod | 41409801 | 039 | |
| 11 | STEUERUNG KPL. BRÜNIERT Reversing gear complete | 42409801 | 029 | |
| 12 | ZYLINDERKASTEN - SATZ Cylinder box -set | 00434098 | 011 | |
| 13 | UMLAUFBLECH-VORNE Front running board | 00454098 | 016 | |
| 14 | ANKER KPL. MIT SCHWUNGMASSE Rotor complete with integr. flywheel | 00504609 | 025 | |
| 15 | LAGERSCHILD ISO.M.SCHNITTST. Motor PCB, insulated, with interface | 00504737 | 020 | |
| 16 | KOHLENROHRKAPPE Brush pipe cap | 00504801 | 002 | |
| 17 | KUPPELRAD ISOL.ROT F.4098/99 Coupled wheelset, insulated, red paint | 00514307 | 007 | |
| 18 | LOKRAD GR.GEGENGEW.ISOL. Loco wheel (big counterweight), insulated | 00514308 | 007 | |
| 19 | KUPPELRAD ROT F.4098/99 Coupled wheelset, red paint | 00514309 | 007 | |
| 20 | LOKRAD GR.GEGENGEW. Loco wheel (big counterweight) | 00514310 | 007 | |
| 21 | ACHSE GERAENDEL 20 MM Milled axle 20mm | 00524006 | 002 | |
| 22 | ACHSE MITTIG GEKERBT Axle, center milled | 00524007 | 005 | |
| 23 | ZAHNRAD Z:22 SCHWARZ/BRAUN Gear wheel Z:22 black/brown | 00564126 | 002 | |
| 24 | ZAHNRAD MIT FEDER Z:9 SCHWARZ Gear wheel with spring Z:9 | 00564127 | 003 | |
| 25 | ZAHNRAD M. RATSCHRING Z:22 Gear wheel with ratchet ring Z:22 | 00564128 | 003 | |
| 26 | MESSINGZAHNRAD Z:10 FÜR RS Brass gear wheel Z:10 | 00564135 | 004 | |
| 27 | SCHNECKE Worm gear | 00564607 | 008 | |
| | UNTERLEGSCH. ROT 2,2X5X0,3 (o.Abb.) Washer 2.2x5x0.3 (red gear side) (w/o illust.) | 00564751 | 001 | |
| | UNTERLEGSCH. ROT 2,2X5X0,3 (o.Abb.) Washer 2.2x5x0.3 (red gear side) (w/o illust.) | 00564751 | 001 | |
| 30 | DISTANZRING F. STEUERUNG Spacer ring | 56477800 | 003 | |
| 31 | STROMABNEHMEREINSATZ Power pick-up assembly | 00604098 | 015 | |
| | BELEUCHTUNGSRUESTSATZ HINT. (o.Abb.) Illumination set, rear (w/o illustr.) | 62409802 | 012 | |
| 33 | KONTAKTPILZGARNITUR L:12 MM Contacter pin assembly | 00644404 | 011 | |
| | SCHNITTST.-BLINDSTECKER 6-POL. (o.Abb.) Jumper, 6-pin (w/o illustr.) | 00664005 | 013 | |
| 35 | SCHRAUBE Screw | 00700313 | 001 | |



| 409803 | BR 98 DB | 98810 | = | HO |
|---------------------|---|---------------------|------------------------------|----|
| Pos. Nr. Pos.no. | Beschreibung Description | Art.-Nr. Art.no. | Preisgruppe Price bracket | |
| 36 | SCHRAUBE Screw | 00700404 | 001 | |
| 37 | SCHRAUBE Screw | 00702403 | 001 | |
| 38 | SCHRAUBE Screw | 00713513 | 001 | |
| 39 | ZYLINDERSTIFT Cylinder pin | 00730515 | 002 | |
| 40 | GEST.BOLZ. Linkage pin | 00730555 | 001 | |
| 41 | ZYLINDERSTIFT 2 X 10 Cylinder pin 2x10 | 00730538 | 001 | |
| 42 | Steckpuffer Plug-in buffer, curved | 00754006 | 002 | |
| 43 | STECK-PUFFER FLACH Plug-in buffer, flat | 00754015 | 002 | |
| 44 | PUFFERBOHLE M. BELEUCHTUNG Front side framework with buffer | 75409803 | --- | |
| 45 | ANDRUCKFEDER F. RADSATZ 4098 Pressure spring for wheelset | 00764315 | 001 | |
| 46 | FLEISCHMANN KUPPLUNG Fleischmann coupling | 6510 | --- | |
| 47 | PROFI-STECKKUPPLUNG Profi coupling | 6515 | --- | |
| 48 | STECK-TAUSCHKUPPLUNG Standard coupling | 6511 | --- | |
| 49 | ERSATZ-SCHLEIFKOHLEN Carbon brushes set | 6519 | --- | |
| | ZURUESTSATZ 4098 HINTEN (o. Abb.) Rear retrofit set (without illustration) | 6541 | --- | |