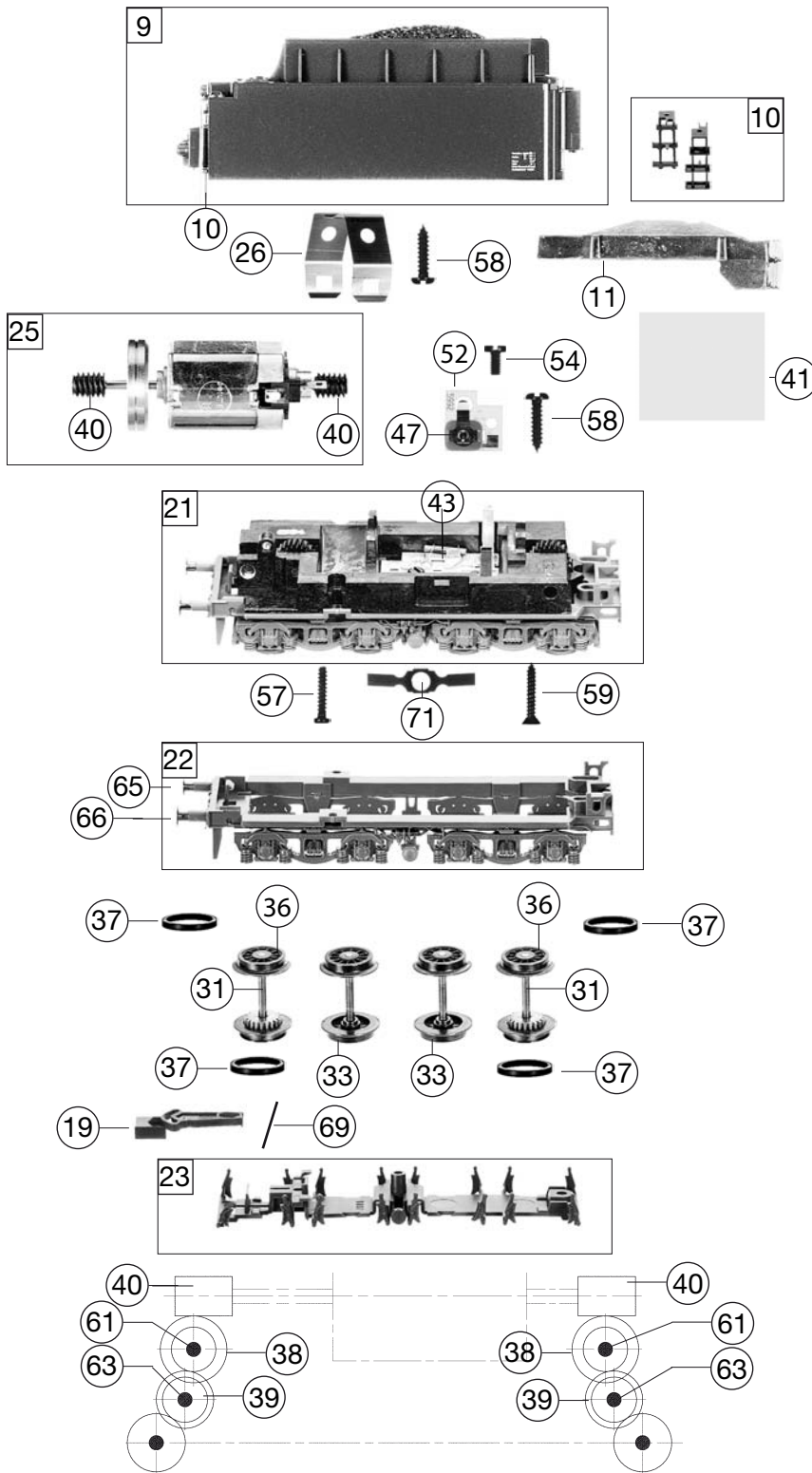


410372	BR 03 DR	03153			H0
Pos. Nr. Pos.no.	Beschreibung Description	Art.-Nr. Art.no.	Preisgruppe Price bracket		
1	LOKKESSEL KPL. BR 03 DR SOUND Loco boiler complete w/o driver's cab	10410372	034		
2	FÜHRERHAUS KPL.F.BR 03 DR Driver's cab complete	11410302	020		
3	WAGNER-WINDLEITBLECHE-SATZ WAGNER wind deflectors -set	00124104	012		
4	LICHTLEITER-SATZ Light conductor set	00134103	009		
5	UMLAUFBLECH Running board	15410372	021		
6	KLEINTEILE-SATZ F.4103,-04,-05 Set of small parts	00190103	011		
7	LUFT-U.SPEISEPUMPE-SATZ Air-&waterpump -set	00194104	012		
	HANDRAD F.BR 03 U. 50 (o. Abb.) Handwheel (w/o illustr.)	00194707	003		
8	KUPPLUNGSHAKEN Coupling hook	00194824	002		
9	TENDERGEHÄUSE kpl. Tender body complete	20410302	022		
10	LEITER U.AUFSTIEGSTRITTE/SATZ Ladder&treadle -set	22410701	012		
	LICHTLEITER/TENDER (o. Abb.) Tender light conductor (w/o illustr.)	00234104	005		
12	LOKFAHRGESTELL F.410372 Loco chassis complete	30410372	043		
13	STEUERUNG KPL.F.4103 Reversing gear complete	03241031	033		
14	ZYLINDERKASTEN/SATZ BR03 DR Cylinder l&r -set	33410302	014		
15	LOK-TENDERKUPPLUNG-SATZ Coupling between loco and tender -set	00344139	009		
16	RAUCHKAMMERTRAE.M.LAMPEN Smoke box support with lamps	00354104	013		
17	VORLAUFGESTELL F.BR 03 Bogie (front)	00374103	018		
18	KUPPLUNGSADAPTER Coupling adaptor	00384001	006		
19	KUKU-DEICHSEL TENDERSEITE Short coupling reception, tender side	00384014	006		
20	NACHLAUFGESTELL M.ANDRUCKFEDER Set of carrying wheels (rear), with pressure spring	00394103	015		
21	TENDERFAHRGESTELL KPL. OHNE MO Tender chassis complete w/o motor	40410302	036		
22	TENDERRAHMEN KPL. BR 03 DR Tender framework	41410302	017		
23	ABDECKPLATTE F.TENDER Cover plate for tender	00434103	011		
24	RAUCHKAMMERSTUETZE Smoke box support	00454103	007		
25	MOTOR KPL.M.SCHWUNGMASSE Motor with flywheel, complete	00504103	025		
26	MOTORHALTER F.5-POL.BÜHLERMOT Motor retainer clip	00504904	002		
	T.RAD O.Z.O.N 12 SPEICHEN (o. Abb.) Tender wheel w/o gear, w/o traction tyre (w/o ill.)	00514190	006		
	T.RAD O.Z.O.N.ISO.12 SPEICHEN (o. Abb.) Tender wheel w/o gear, w/o tract. tyre, insulated (w/o ill.)	00514191	007		
	T.RAD O.Z.M.N.ISO.ROT (o. Abb.) Tender wheel w/o gear, with tract. tyre, insulated (w/o ill.)	00514193	007		
	L.RAD F.VOR.-NACHLAUF ROT (o. Abb.) Carrying wheel (front) (w/o illustr.)	00514218	006		
	L.RAD F.VOR.-NACHLAUF ISO. (o. Abb.) Carrying wheel (rear) (w/o illustr.)	00514228	007		
27	TREIBRAD LINKS Left driving wheel	00514332	008		
28	TREIBRAD RECHTS ISOL Right driving wheel, insulated	00514333	009		
29	KUPPELRAD LINKS Left coupled wheel	00514334	008		
30	KUPPELRAD RECHTS ISOL Right coupled wheel, insulated	00514335	009		
31	ACHSE Axle	00524009	005		



410372	BR 03 DR	03153	🔊	=	HO
Pos. Nr. Pos.no.	Beschreibung Description	Art.-Nr. Art.no.	Preisgruppe Price bracket		
32	ACHSE Axle	00524011	001		
33	TENDERRADSATZ O.Z.O.N. Tender wheelset w/o gear, w/o traction tyre	00534028	011		
34	VORLAUFRADSATZ BR 03,86,56 Set of carrying wheels (front)	00534047	012		
35	NACHLAUFRADSATZ Set of carrying wheels (rear)	00534053	012		
36	TENDER-RS.M.Z.M.N. Tender wheelset with gear, with traction tyre	00534054	015		
37	HAFTREIFEN HO Traction tyre H0	00544007	001		
38	UNTERSETZUNGSRAD Z:23/16 SCHWA Reduction gear wheel Z:23/16, black	00564153	005		
39	UNTERSETZUNGSRAD Z:20/16 SCHWA Reduction gear wheel Z:20/16, black	00564154	006		
40	SCHNECKE F.MOTOR 504103 Motor worm gear	00564609	006		
41	ISOLIERPLATTE Isolating plate	00564752	001		
42	DISTANZRING Spacer ring	00564775	002		
43	STROMABNEHMEREINS.TENDER 03/41 Tender power pick-up assembly	00600103	016		
44	ABDECKPLATTE UNTEN M.RADKONT. Cover plate bottom side with contacts	00604106	014		
45	DRUCKFE.M.KAPPE U.BUNDBOL/SATZ Pressure spring with cap&flanged bolt -set	00614803	009		
46	RADKONTAKTFEDER Wheel contact spring	00614960	001		
47	KONTAKTFEDER F.VENTILZELLE Contact spring for diode	00614968	001		
49	LAMPENKONTAKTHALTER Lamp contact support	00631118	008		
50	KONTAKTPILZGARNITUR L:17,5 MM Contacter pin assembly	00644406	011		
52	SCHALTPLATTE.4105,4130,4132 Switch plate	00654074	012		
	LEITERPLATTE F.741103,413072 (o. Abb.) PCB (w/o illustr.)	00654096	011		
	LAUTSPRECHER (o. Abb.) Loudspeaker (w/o illustr.)	68400400	016		
	SOUND-DECODER (o. Abb.) Sound decoder (w/o illustr.)	68410372	---		
54	SCHRAUBE Screw	00700405	001		
55	KS-SCHRAUBE Phillips screw	00704404	001		
56	SENKOPFBLECHSCHRAUBE KREUZSCH Countersunk tapping screw	00712509	001		
57	BLECHSCHRAUBE M.KREUZSCHLITZ Tapping screw	00713309	001		
59	SENKOPFBLECHSCHR.2,2X13 KS Countersunk tapping screw B 2.2x13	00714513	001		
60	ANSATZSCHRAUBE Flanged screw	00730009	002		
61	ZYLINDERSTIFT Cylinder pin	00730515	002		
62	SPLINT F. KUPPLUNGSADAPT Split pin for coupling adaptor	00730525	001		
63	ZYLINDERSTIFT 2 X 10 Cylinder pin 2x10	00730538	001		
64	GESTAENGEBOLZEN F.BR 03 Linkage pin	00730549	002		
65	Steckpuffer Plug-in buffer, curved	00754006	002		
66	STECK-PUFFER FLACH Plug-in buffer, flat	00754015	002		
67	PUFFERBOHLE KPL. Front side framework complete	75410302	016		
68	BLATTRICHTFEDER L=9,5MM Flat straightening spring L=9.5MM	00764007	001		
69	DRAHTRICHTFEDER L=19 MM Thread straightening spring L=19MM	00764018	002		
70	BLATTFEDER F.TREIB-RS 4103/04 Flat spring for driving wheelset	00764319	001		
71	BLATTFEDER F.TENDER-RS 4103/04 Flat spring for tender wheelset	00764320	001		
	Fleischmann- Steckkupplung (f. Vorlauf, o. Abb.) Fleischmann plug-in coupling (f. Bogie, w/o illustr.)	6509	---		
	Fleischmann- Steckkupplung (o. Abb.) Fleischmann plug-in coupling (w/o illustration)	6510	---		
	Standard- Steckkupplung (o. Abb.) Standard- coupling (w/o illustration)	6511	---		
	PROFI-STECKKUPPLUNG Profi coupling	6515	---		
76	ERS.-GLUEHLAMPE KLAR M.STECKFA Replacement bulb, clear, with plug-in socket	00006535	008		