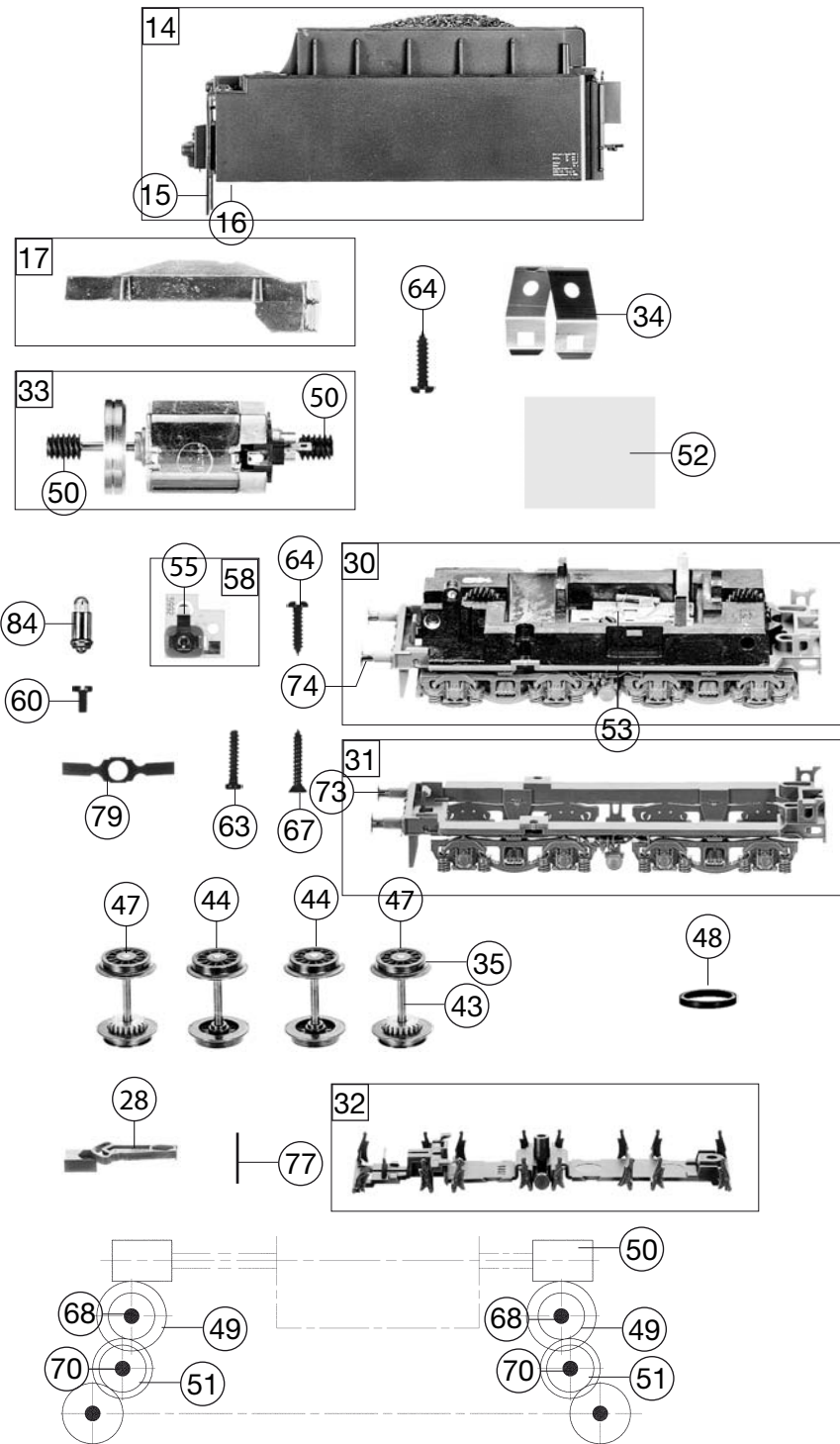


Pos. Nr. Pos. no.	Beschreibung Description	Art.-Nr. Art. no.	Preisgruppe Price bracket
1	LOKESSEL BR 22 DR EP III Loco boiler complete w/o driver's cab	10412271	035
2	FUEHRERHAUS KPL.F.412271 DR Loco driver's cab, complete	11412271	020
3	WITTE-WINDLEITBLECHE-SATZ 4122 WITTE wind deflectors -set	00124122	012
	LICHTLEITER-SATZ (o. Abb.) Light conductor set (w/o illustration)	00134122	011
7	UMLAUFBLECH F.412271 Running board	15412271	025
	KLEINTEILE-SATZ F.4122 (o. Abb.) Set of small parts (w/o illustration)	01941221	012
10	ZWISCHENWELLE M.GEGENKURB.- S. Intermediate shaft with return crank	00194135	012
	HANDRAD F. (o. Abb.) Handwheel (w/o illustr.)	00194707	003
9	GRIFSTANGE F.4122 Hand-rail -set	00194722	005
	KUPPLUNGSHAKEN (o. Abb.) Coupling hook (w/o illustr.)	00194824	002
14	TENDERGEHAEUSE F.412271 Tender body complete	20412271	022
15	AUFSTIEGSTRIITE/SATZ F.4122 Ladder&treadle -set, black	00224122	012
	SCHIENENRAEUMER (o. Abb.) Rail guard (w/o illustr.)	00224130	007
18	LOKFAHRGESTELL KPL. Loco chassis complete	30412271	047
20/21	STEUERUNG KPL.F.4121 Reversing gear complete with coupling rod	00324121	035
	ZYLINDER EINSTR.ROHR(SATZ) (o. Abb.) Steam admission pipe (w/o illustr.)	00334122	013
23	LOK-TENDERKUPPLUNG-SATZ Coupling between loco and tender -set	00344139	009
26	VORLAUFGESTELL F.BR 22 Set of carrying wheels (front)	00374122	015
27	KUKU-DEICHSEL F.4122 Short coupling reception (front)	00384122	005
28	KUKU-DEICHSEL TENDERSEITE Short coupling reception, tender side	00384014	006
29	NACHLAUFGESTELL F.4122 Set of carrying wheels (rear)	00394122	015
30	TENDERFAHRGEST.O.MOT.F.412271 Tender chassis complete w/o motor	40412271	035
31	TENDERRAHMEN KPL. Tender framework complete	41412271	017
32	ABDECKPLATTE F.TENDER Cover plate for tender	00434103	011
24	RAUCHKAMMERTRAEGER F.4122 Smoke box support	00454122	007
33	MOTOR KPL.M.SCHWUNGMASSE Motor with flywheel, complete	00504103	025
34	MOTORHALTER F.5-POL.BUEHLERMOT Motor retainer clip	00504904	002
36	TREIBRAD LINKS F.BR 39 Left driving wheel	00514277	007
37	TREIBRAD KL.GEGENGEW.BR 39 Driving wheel with small counterweight	00514278	007
38	KUPPELRAD LINKS BR 39 Left coupled wheel	00514279	007
39	TREIBRAD RE.ISO BR 39 Right driving wheel, insulated	00514280	008
40	TREIBRAD KL.GEGENGEW.ISO BR 39 Driving wheel with small counterweight, insulated	00514281	008
41	KUPPELRAD RECHTS ISO BR 39 Right coupled wheel, insulated	00514282	008
43	ACHSE Axle	00524011	001
44	TENDERRADSATZ O.Z.O.N. Tender wheelset w/o gear, w/o traction tyre	00534028	011
47	TENDER-RS.M.Z.M.N. Tender wheelset with gear, with traction tyre	00534054	015
46	VORL.RADS. Bogie wheelset	00534090	012



412271	BR 22 DR	22021		=	HO
Pos. Nr. Pos.no.	Beschreibung Description		Art.-Nr. Art.no.	Preisgruppe Price bracket	
48	HAFTREIFEN HO Traction tyre HO		00544007	001	
49	UNTERSETZUNGSRAD Z:23/16 SCHWA Reduction gear wheel Z:23/16, black		00564153	005	
51	UNTERSETZUNGSRAD Z:20/16 SCHWA Reduction gear wheel Z:20/16, black		00564154	006	
50	SCHNECKE F.MOTOR 504103 Worm gear		00564609	006	
52	ISOLIERPLATTE Isolating plate		00564752	001	
53	STROMABNEHMEREINS.TENDER Tender power pick-up assembly		00600103	016	
54	STROMABNEHMEREINSATZ F.4122 Loco power pick-up assembly		00604122	016	
55	KONTAKTFEDER F.VENTILZELLE Contact spring for diode		00614968	001	
	KONTAKTFEDER F.4122 (o. Abb.) Contact spring (w/o illustr.)		00614969	007	
	KONTAKTPILZGARN.L:9 MM (o.Abb.) Contacter pin assembly (w/o illustr.)		00644410	011	
58	SCHALTPLATTE.4105,4130,4132 Switch plate complete		00654074	012	
	LEITERPLATTE F BELEUCHT. 4122 (o. Abb.) Light PCB (w/o illustr.)		00654081	019	
57	LEITERPLATTE F.74118 PCB		00654095	011	
60	KS-SCHRAUBE Phillips screw		00704404	001	
61	ZYLINDERKO.SCHRAUBE M.SCHLITZ Screw for reversing gear		00704405	001	
62	SENKKOPFBLECHSCHRAUBE KREUZSCH Countersunk tapping screw		00712509	001	
63	BLECHSCHRAUBE M.KREUZSCHLITZ Tapping screw		00713309	001	
67	SENKKOPFBLECHSCHR.2,2X13 KS Countersunk tapping screw B 2.2x13		00714513	001	
	SENKKOPFBLECHSCHR.2,2X16 KS (o. Abb.) Tapping screw 2.2x16 (w/o illustr.)		00714516	001	
	ANSATZSCHRAUBE (o. Abb.) Flanged screw (w/o illustr.)		00730009	002	
68	ZYLINDERSTIFT Cylinder pin		00730515	002	
70	ZYLINDERSTIFT 2 X 10 Cylinder pin 2x10		00730538	001	
71	GESTAENGEBOLZEN Linkage pin		00730549	002	
72	GESTAENGEBOLZEN KUNSTSTOFF Plastic linkage pin		00730568	001	
73	Steckpuffer Plug-in buffer, curved		00754006	002	
74	STECK-PUFFER FLACH Plug-in buffer, flat		00754015	002	
75	RAHMENVORDERTEIL M.ZYLINDER Front side framework complete with cylinders		75412271	018	
77	DRAHTRICHTFEDER L=19 MM Thread straightening spring L=19mm		00764018	002	
	RICHTFEDER F.4122 (o. Abb.) Flat straightening spring (w/o illustr.)		00764021	002	
79	BLATTFEDER F.TENDER-RS Flat spring for tender wheelset		00764320	001	
78	ANDRUCKFEDER F.RADSATZ 4122 Pressure spring for wheelset front/rear		00764326	001	
	Fleischmann- Steckkupplung (Lok) (o. Abb.) Fleischmann plug-in coupling (loco) (w/o illustr.)		6510	---	
	Fleischmann- Steckkupplung (o. Abb.) Fleischmann plug-in coupling (w/o illustration)		6511	---	
	PROFI-STECKKUPPLUNG Profi coupling		6515	---	
84	ERS.-GLUEHLAMPE KLAR M.STECKFA Replacement bulb, clear, with plug-in socket, 8V		00006535	008	