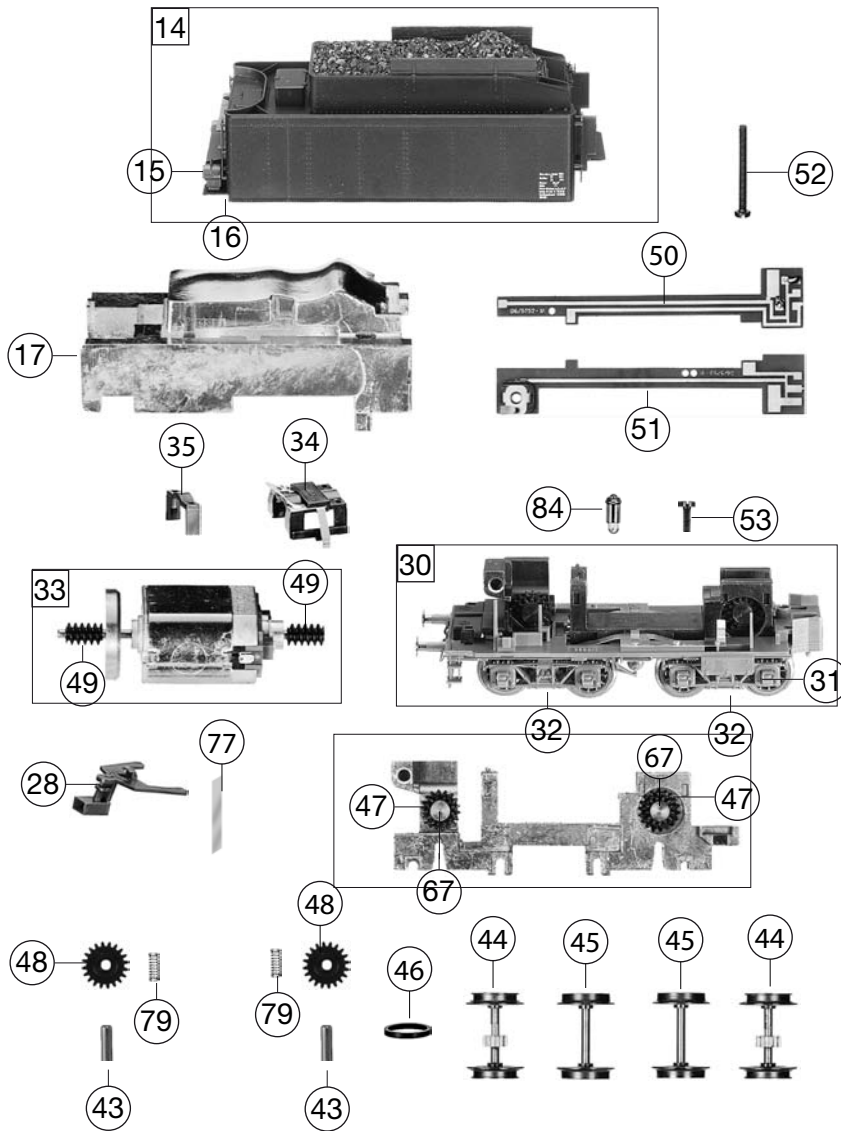


413802		BR 39.0-2	DB	39 186	=	H0
Pos. Nr. Pos.no.	Beschreibung Description	Art.-Nr. Art.no.	Preisgruppe Price bracket			
1	LOKGEHÄUSE KPL. OHNE FÜHRERHAUS Loco boiler complete w/o driver's cab	10413802	037			
2	FÜHRERHAUS KPL. Loco driver's cab, complete	11413802	018			
	LICHTLEITER (o. Abb.) Light conductor (w/o illustration)	00134139	005			
6	DECKPLATTE OBEN Upper cover plate	00144139	012			
7	UMLAUFBLECH KPL. Running board	15413802	025			
9	GRIFSTANGEN-SATZ f. BR 39 Hand-rail -set	00190138	012			
10	ZWISCHENWELLE M.GEGENKURB.- S. Intermediate shaft with return crank	00194135	012			
11	PFEIFE Whistle	00194607	004			
12	SICHERHEITSENTIL F. BR 39 Safety valve	00194708	002			
15	LAMPE M. BUEGEL F. BR 39 (Tender.) Lamp with handle (Tender)	00194818	008			
13	REICHSBAHN-LATERNE VORN REICHSBAHN lamp, front	00194811	008			
	BREMSSCHLAEUCH-SATZ (o. Abb.) Brake hose-pipe set (w/o illustration)	00194815	011			
14	TENDERGEHÄUSE KPL. Tender body complete	20413802	---			
	LUFTKESSEL AM TENDER (o. Abb.) Air tank at tender (w/o illustration)	00224139	006			
16	LICHTLEITER/TENDER SATZ Light conductor (Tender) -set	00234138	009			
17	TENDERBESCHWERUNG 4137 NEU Tender ballast (new)	00264138	017			
18	LOKFAHRGESTELL KPL. MIT SCHNIT Loco chassis complete with interface	30413802	---			
19	ABDECKPLATTE UNTEN (LOK) Lower cover plate (loco)	00314139	012			
20	STEUERUNG KPL. LI. EINSCHL. Stangen Left reversing gear complete with coupling rod	00324135	029			
21	STEUERUNG KPL. RE. EINSCHL. Stangen Right reversing gear complete with coupling rod	03241351	029			
22	ZYLINDERKASTEN SATZ/BR 39 Cylinder &r -set	00334139	013			
23	LOK-TENDERKUPPLUNG-SATZ Coupling between loco and tender -set	00344139	009			
24	KESSELSTUETZE Boiler support	00354139	006			
25	STEHKESSELUNTERTEIL Fire box base	00364138	008			
26	VORLAUFGEKPL.F.BR39 Set of carrying wheels (front)	00374139	016			
27	KUPPLUNGSADAPTER Coupling adaptor	00384001	006			
28	KUKU-DEICHEL TENDER/HINTEN Short coupling reception, tender side (rear)	00384005	006			
29	NACHLAUFGE..KPL.F.BR39 Set of carrying wheels (rear)	00394139	014			
30	TENDERFAHRGESTELL KPL. OHNE MO Tender chassis complete w/o motor	40413802	---			
31	TENDERRAHMEN KPL. Tender framework	41413802	---			
32	TENDERABDECKPL.HINT./VORN-SATZ Cover plates for tender, front/rear -set	00434138	011			
	LICHTABDECKUNG (o. Abb.) Light cover (w/o illustration)	00454139	004			
33	MOTOR M.SCHWUNGM.F.BR 39 Motor with flywheel, complete	00504138	025			
35	MOTORHALTER F.4165/BR 39 Motor retainer clip	00504902	004			
34	MOTORHALTER M.KONTAKTEN Motor retainer clip with contacts	00504905	015			
36	TREIBRAD GR.GEGENGEW. links Left driving wheel, big counterweight	00514277	007			
37	TREIBRAD KL.GEGENGEW. Left driving wheel, small counterweight	00514278	007			



71	GESTAENGE BOLZEN F.BR 03 Linkage pin	00730549	002
72	GESTAENGE BOLZEN KUNSTSTOFF Plastic linkage pin	00730568	001
73	STECKPUFFER GEWÖLM.WEIB.RING Plug-in buffer, curved, white ring	00754040	006
74	STECKPUFFER FLACH.M.WEIB.RING Plug-in buffer, flat, white ring	00754041	006
75	Pufferbohle kpl. Front side framework complete	75413802	---
77	BLATTRICHTF.F. TENDER L=30MM Flat straightening spring (tender) L=30mm	00764005	002
	BLATTRICHTFEDER L=9,5MM (o. Abb.) Flat straightening spring L=9.5mm (w/o illust.)	00764007	001
78	ANDRUCKFEDER F. VOR.-NACHLAUF Pressure spring for wheelset front/rear	00764309	002
79	DRUCKFEDER F.TENDERRADSATZ Pressure spring for tender wheelset	00764310	001
	Fleischmann- Steckkupplung (Lok) (o. Abb.) Fleischmann plug-in coupling (loco) (w/o illust.)	6509	---
	Fleischmann- Steckkupplung (o. Abb.) Fleischmann plug-in coupling (w/o illustration)	6510	---
	Standard- Steckkupplung (o. Abb.) Standard- coupling (w/o illustration)	6511	---
	PROFI-STECKKUPPLUNG Profi coupling	6515	---
84	ERS.-GLUEHLAMPE KLAR M.STECKFA Replacement bulb, clear, with plug-in socket	00006535	008

413802		BR 39.0-2	DB	39 186	=	HO
Pos. Nr. Pos.no.	Beschreibung Description	Art.-Nr. Art.no.	Preisgruppe Price bracket			
38	KUPPELRAD LINKS BR39 Left coupled wheel	00514279	007			
39	TREIBRAD RE.ISO BR 39 Right driving wheel, big counterweight, insul.	00514280	008			
40	TREIBRAD KL.GEGENGEW. ISO BR 39 Right driving wheel, small counterweight, insul.	00514281	008			
41	KUPPELRAD RECHTS ISO BR 39 Right coupled wheel, insul.	00514282	008			
42	ACHSE 10 MM Axle 10mm	00524002	002			
43	ACHSE GERAENDELT 20 MM Milled axle 20mm	00524006	002			
44	TENDERRADSATZ M.Z.M.N. ISO. Tender wheelset w. gear, w. tract. tyre, insul.	00534027	013			
45	TENDERRADSATZ O.Z.O.N. Tender wheelset w/o gear, w/o traction tyre	00534028	011			
4	NACHL.RADSATZ ROT F.BR 22/39 Carrying wheelset, rear, red	00534033	012			
5	VORL.RADS.F.BR 13/22/39/78/91 Carrying wheelset, front	00534042	011			
46	HAFTREIFEN HO Traction tyre H0	00544007	001			
47	UNTERSETZUNGSRAD Z:18/13 SCHWA Reduction gear wheel Z:18/13, black	00564130	002			
48	ZAHNRAD Z:20 Gear wheel Z:20	00564161	005			
49	SCHNECKE Motor worm gear	00564606	005			
54	STROMABNEHMEREINS.F.BR 39 DIG. Loco power pick-up assembly	00600404	018			
3	BESCHWERUNG (Lok) Loco ballast	00164139	013			
	KONDENSATOR (o. Abb.) Capacitor (w/o illust.)	64420900	005			
	KONTAKTPILZGARNITUR L:9 MM (o. Abb.) Contacter pin assembly (w/o illustr.)	00644408	011			
57	BUCHSENLEISTE 6-POL.F.SCHNITT. Connector interface, 6-pin	00654073	014			
50	SCHALTPL.LINKS F.TENDER Left tender PCB	00654099	012			
51	SCHALTPL.RECHTS F.TENDER Right tender PCB	00654100	014			
59	SCHNITTST.-BLINDSTECKER 6-POL. Jumper, 6-pin	00664002	013			
	SCHALTLEITZE SCHWARZ 350 MM (o. Abb.) Cable, black, 350mm (w/o illust.)	00667000	009			
	SCHALTLEITZE BRAUN 350 MM (o. Abb.) Cable, brown, 350mm (w/o illust.)	00667001	009			
60	SCHRAUBE Screw	00700404	001			
52	SCHRAUBE F.TENDERGEHAEUUS Screw for tender body	00700420	001			
53	GF-SCHRAUBE M1,6X5 DIN7500 SW Self-cutting screw M1,6X5 DIN7500 SW	70900013	001			
61	SCHRAUBE F.STEUERUNG BR 39 Screw for reversing gear	00709405	004			
	BLECHSCHRAUBE M.KREUZSCHL. (o.Abb.) Tapping screw (w/o illust.)	00713309	001			
65	SCHRAUBE Screw	00713513	001			
66	SCHRAUBE Screw	00713516	001			
67	BOLZEN F. ZAHNRAD Bolt for gear wheel	00730517	003			
	SPLINT F. KUPPLUNGSADAPT (o. Abb.) Split pin for coupling adaptor (w/o illustr.)	00730525	001			
	WITTE-WINDLEITBLECHE-SATZ (o. Abb.) WITTE wind deflectors set (w/o illust.)	00124065	11			
	LICHTLEITER-SATZ (o. Abb.) Set of light conductors (w/o illustr.)	00134138	9			
	LICHTLEITER/TENDER (o. Abb.) Tender light conductor (w/o illust.)	00234139	5			