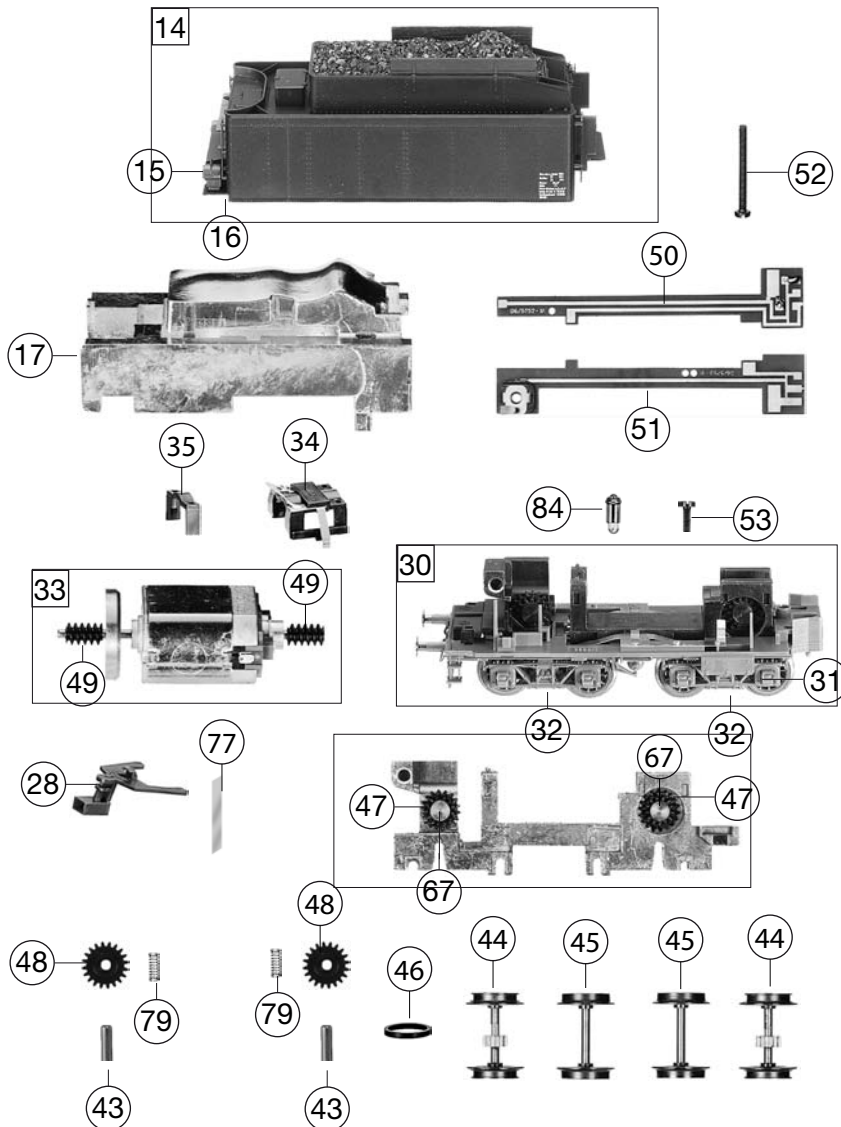


413872		BR 39.0-2	DB	39 186	🔊	=	H0
Pos. Nr. Pos.no.	Beschreibung Description	Art.-Nr. Art.no.	Preisgruppe Price bracket				
1	LOKGEHÄUSE KPL. OHNE FÜHRERHAUS Loco boiler complete w/o driver's cab	10413872	037				
2	FÜHRERHAUS KPL. Loco driver's cab, complete	11413802	018				
	LICHTLEITER (o. Abb.) Light conductor (w/o illustration)	00134139	005				
6	DECKPLATTE OBEN Upper cover plate	00144139	012				
7	UMLAUFBLECH KPL. Running board	15413872	---				
9	GRIFFTANGEN-SATZ f. BR 39 Hand-rail -set	00190138	012				
10	ZWISCHENWELLE M.GEGENKURB.- S. Intermediate shaft with return crank	00194135	012				
11	PFEIFE Whistle	00194607	004				
12	SICHERHEITSVENTIL F. BR 39 Safety valve	00194708	002				
15	LAMPE M. BUEGEL F. BR 39 (Tender) Lamp with handle (Tender)	00194818	008				
13	REICHSBAHN LATERNE VORN REICHSBAHN lamp, front	00194811	008				
	BREMSSCHLAEUCH-SATZ (o. Abb.) Brake hose-pipe set (w/o illustration)	00194815	011				
14	TENDERGEHÄUSE KPL. Tender body complete	20413802	---				
	LUFTKESSEL AM TENDER (o. Abb.) Air tank at tender (w/o illustration)	00224139	006				
16	LICHTLEITER/TENDER SATZ Light conductor (Tender) -set	00234138	009				
17	TENDERBESCHWERUNG 4137 NEU Tender ballast (new)	00264138	017				
18	LOKFAHRGESTELL KPL. Loco chassis complete with interface	30413872	---				
19	ABDECKPLATTE UNTEN (LOK) Lower cover plate (loco)	00314139	012				
20	STEUERUNG KPL. LI. EINSCHL. Stangen Left reversing gear complete with coupling rod	00324135	029				
21	STEUERUNG KPL. RE. EINSCHL. Stangen Right reversing gear complete with coupling rod	03241351	029				
22	ZYLINDERKASTEN SATZ/BR 39 Cylinder &r -set	00334139	013				
23	LOK-TENDERKUPPLUNG-SATZ Coupling between loco and tender -set	00344139	009				
24	KESSELSTUETZE Boiler support	00354139	006				
25	STEHKESSELUNTERTEIL Fire box base	00364138	008				
26	VORLAUFGEKPL.F.BR39 Set of carrying wheels (front)	00374139	016				
27	KUPPLUNGSADAPTER Coupling adaptor	00384001	006				
28	KUKU-DEICHEL TENDER/HINTEN Short coupling reception, tender side (rear)	00384005	006				
29	NACHLAUFGE..KPL.F.BR39 Set of carrying wheels (rear)	00394139	014				
30	TENDERFAHRGESTELL KPL. OHNE MO Tender chassis complete w/o motor	40413802	---				
31	TENDERRAHMEN KPL. Tender framework	41413802	---				
32	TENDERABDECKPL.HINT./VORN-SATZ Cover plates for tender, front/rear -set	00434138	011				
	LICHTABDECKUNG (o. Abb.) Light cover (w/o illustration)	00454139	004				
33	MOTOR M.SCHWUNGM.F.BR 39 Motor with flywheel, complete	00504138	025				
35	MOTORHALTER F.4165/BR 39 Motor retainer clip	00504902	004				
34	MOTORHALTER M.KONTAKTEN Motor retainer clip with contacts	00504905	015				
36	TREIBRAD GR.GEGENGEW. links Left driving wheel, big counterweight	00514277	007				
37	TREIBRAD KL.GEGENGEW. Left driving wheel, small counterweight	00514278	007				



413872 BR 39.0-2 DB 39 186 = **HO**

Pos. Nr. Pos.no.	Beschreibung Description	Art.-Nr. Art. no.	Preisgruppe Price bracket
38	KUPPELRAD LINKS BR39 Left coupled wheel	00514279	007
39	TREIBRAD RE.ISO BR 39 Right driving wheel, big counterweight, insul.	00514280	008
40	TREIBRAD KL.GEGENGEW. ISO BR 39 Right driving wheel, small counterweight, insul.	00514281	008
41	KUPPELRAD RECHTS ISO BR 39 Right coupled wheel, insul.	00514282	008
42	ACHSE 10 MM Axle 10mm	00524002	002
43	ACHSE GERAENDELT 20 MM Milled axle 20mm	00524006	002
44	TENDERRADSATZ M.Z.M.N. ISO. Tender wheelset w. gear, w. tract. tyre, insul.	00534027	013
45	TENDERRADSATZ O.Z.O.N. Tender wheelset w/o gear, w/o traction tyre	00534028	011
4	NACHL.RADSATZ ROT F.BR 22/39 Carrying wheelset, rear, red	00534033	012
5	VORL.RADS.F.BR 13/22/39/78/91 Carrying wheelset, front	00534042	011
46	HAFTREIFEN HO Traction tyre H0	00544007	001
47	UNTERSETZUNGSRAD Z:18/13 SCHWA Reduction gear wheel Z:18/13, black	00564130	002
48	ZAHNRAD Z:20 Gear wheel Z:20	00564161	005
49	SCHNECKE Motor worm gear	00564606	005
54	STROMABNEHMEREINS.F.BR 39 DIG. Loco power pick-up assembly	00600404	018
	HALTEPLATTE F.74138 DECODER (o. Abb.) Decoder fixation plate (w/o illustr.)	00624138	006
	KONDENSATOR (o. Abb.) Capacitor (w/o illustr.)	64420900	005
	KONTAKTPILZGARNITUR L:9 MM (o. Abb.) Contacter pin assembly (w/o illustr.)	00644408	011
57	BUCHSENLEISTE 6-POL.F.SCHNITT. Connector interface, 6-pin	00654073	014
50	SCHALTPL.LINKS F.TENDER Left tender PCB	00654099	012
51	SCHALTPL.RECHTS F.TENDER Right tender PCB	00654100	014
	LAUTSPRECHER Loudspeaker	68400400	016
	SCHALTLITZE SCHWARZ 350 MM (o. Abb.) Cable, black, 350mm (w/o illust.)	00667000	009
	SCHALTLITZE BRAUN 350 MM (o. Abb.) Cable, brown, 350mm (w/o illust.)	00667001	009
60	SCHRAUBE Screw	00700404	001
	SCHRAUBE F.TENDERGEHAUS Screw for tender body	00700420	001
53	GF-SCHRAUBE M1,6X5 DIN7500 SW Self-cutting screw M1,6X5 DIN7500 SW	70900013	001
61	SCHRAUBE F.STEUERUNG BR 39 Screw for reversing gear	00709405	004
	LINSENSCHRAUBE (o.Abb.) Button screw (w/o illust.)	00710305	001
65	SCHRAUBE Screw	00713513	001
66	SCHRAUBE Screw	00713516	001
67	BOLZEN F. ZAHNRAD Bolt for gear wheel	00730517	003
	SPLINT F. KUPPLUNGSADAPT (o. Abb.) Split pin for coupling adaptor (w/o illustr.)	00730525	001
	WITTE-WINDLEITBLECHE-SATZ (o. Abb.) WITTE wind deflectors set (w/o illustr.)	00124065	11
	LICHTLEITER-SATZ (o. Abb.) Set of light conductors (w/o illustr.)	00134138	9
	LICHTLEITER/TENDER (o. Abb.) Tender light conductor (w/o illustr.)	00234139	5
	BLECHSCHRAUBE M.KREUZSCHL. (o. Abb.) Tapping screw (w/o illustr.)	00713309	1

	HALTEBÜGEL FÜR LAUTSPRECHER (o. Abb.) Loudspeaker fixation (w/o illustration)	68400600	5
	LAUTSPRECHERAUFNAHME (o. Abb.) Loudspeaker reception (w/o illustration)	68400700	16
	SOUND-DECODER (o. Abb.) Sound decoder (w/o illustration)	684139712	41
71	GESTAENGE BOLZEN F.BR 03 Linkage pin	00730549	002
72	GESTAENGE BOLZEN KUNSTSTOFF Plastic linkage pin	00730568	001
73	STECKPUFFER GEWÖL.M.WEIB.RING Plug-in buffer, curved, white ring	00754040	006
74	STECKPUFFER FLACH.M.WEIB.RING Plug-in buffer, flat, white ring	00754041	006
75	Pufferbohle kpl. Front side framework complete	75413802	---
77	BLATTRICHTF.F. TENDER L=30MM Flat straightening spring (tender) L=30mm	00764005	002
	BLATTRICHTFEDER L=9,5MM (o. Abb.) Flat straightening spring L=9.5mm (w/o illust.)	00764007	001
78	ANDRUCKFEDER F. VOR.-NACHLAUF Pressure spring for wheelset front/rear	00764309	002
79	DRUCKFEDER F.TENDERRADSATZ Pressure spring for tender wheelset	00764310	001
	Fleischmann- Steckkupplung (Lok) (o. Abb.) Fleischmann plug-in coupling (loco) (w/o illust.)	6509	---
	Fleischmann- Steckkupplung (o. Abb.) Fleischmann plug-in coupling (w/o illustration)	6510	---
	Standard- Steckkupplung (o. Abb.) Standard- coupling (w/o illustration)	6511	---
	PROFI-STECKKUPPLUNG Profi coupling	6515	---
84	ERS.-GLUEHLAMPE KLAR M.STECKFA Replacement bulb, clear, with plug-in socket	00006535	008