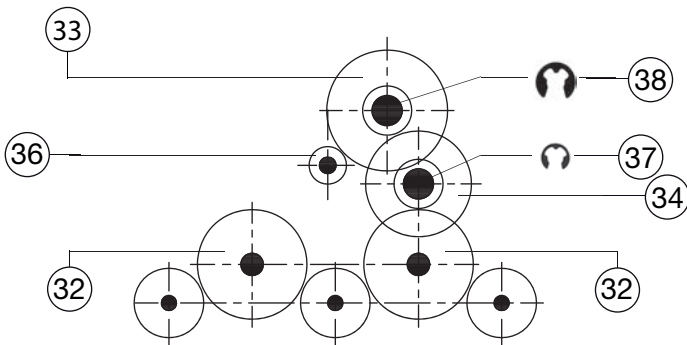
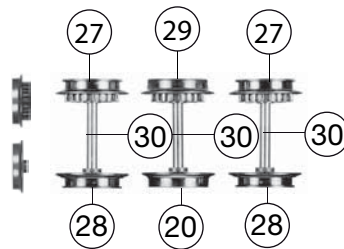
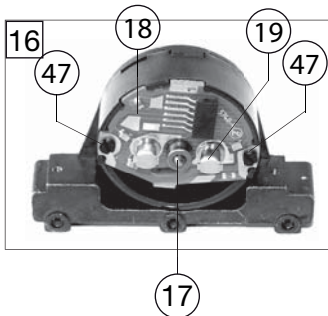
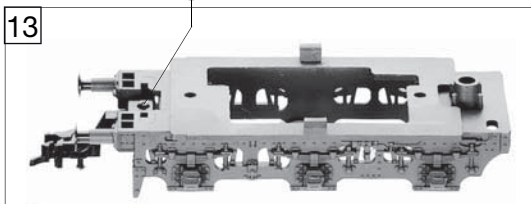
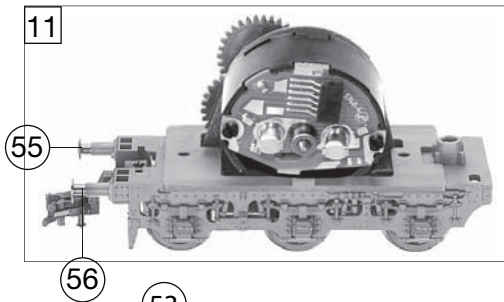
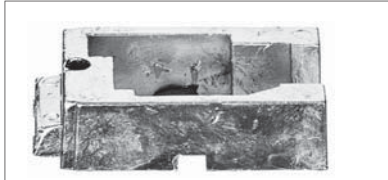
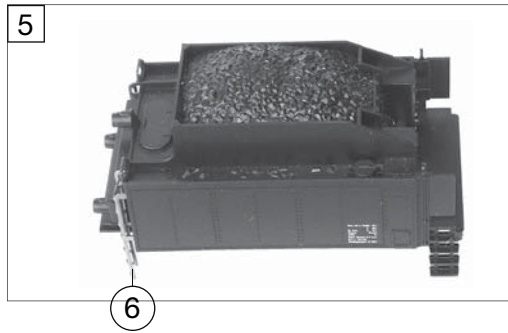


414001		BR 24 DB	24047	=	H0
Pos. Nr. Pos.no.	Beschreibung Description	Art.-Nr. Art.no.	Preisgruppe Price bracket		
1	LOKGEH. BR 24 DB WITTEBL. Loco body with WITTE wind deflectors	10414001	031		
2	WITTE-WINDLEITBLECHE-SATZ WITTE wind deflectors set	12414001	012		
3	LICHTLEITER-SATZ Light conductor set	00134142	012		
4	PFEIFE Whistle	00194601	004		
5	TENDERGEHAEUSE F.414001 Tender body complete	20414001	019		
6	LEITERN-SATZ Ladder set	00224175	011		
7	LOKFAHRGESTELL F.414001 Loco chassis complete with interface	30414001	041		
8	STEUERUNG KPL. Reversing gear complete	32414001	031		
9	ZYLINDERKASTEN F.414001 Cylinder l&r -set	33414001	012		
10	KUPPELLASCHE M. FEDER/SATZ Coupling between loco&tender, with spring, -set	00344174	011		
11	TENDERFAHRGESTELL KPL.F.414001 Tender chassis complete	40414001	038		
12	DECKPLATTE Cover plate	00414064	007		
13	TENDERRAHMEN F.414001 Tender framework	41414001	017		
14	KESSELSTUETZE KPL Boiler support, complete	00454140	012		
15	VORLAUFGESTELL M.ANDRUCKFEDER Set of carrying wheels with pressure spring	00474063	015		
16	MOTOR F:414001 Motor	50414001	032		
17	ANKER KPL.M.SCHWUNGMASSE Rotor complete with flywheel	00504607	025		
18	LAGERSCHILD ISO.M.SCHNITTST. Motor PCB, insulated, with interface	00504737	020		
19	KOEHLENROHRKAPPE Brush pipe cap	00504801	002		
20	T.-U.VORLAUFR.O.Z.O.N.ISO.ROT Tender&bogie wheel w/o gear, w/o trac. tyre, insul., red	00514189	007		
21	L.RAD F.VOR.-NACHLAUF ROT Loco carrying wheel, red	00514218	006		
22	KUPPELRAD LI. ROT BR 24/64/65 Left coupled wheel, red	00514224	006		
23	KUPPELRAD RECHTS ISO.ROT Right coupled wheel, insulated, red	00514226	007		
24	L.RAD F.VOR.-NACHLAUF ISO. Loco carrying wheel, insulated, red	00514228	007		
25	TREIBRAD RECHTS ISO.ROT Right driving wheel, insulated, red	00514292	008		
26	TREIBRAD LINKS ROT F.BR 24/64 Left driving wheel, red	00514293	008		
27	TENDERRAD O.Z.M.N.ISO.ROT Tender wheel w/o gear, with trac. tyre, insul., red	00514378	009		
28	TENDERRAD O.Z.M.N.ROT Tender wheel w/o gear, with trac. tyre, red	00514379	009		
29	T-RAD O.Z.O.N.ROT Tender wheel w/o gear, w/o traction tyre, red	00514380	007		
30	ACHSE GERAENDEL 20 MM Milled axle, 20mm	00524006	002		
31	HAFTREIFEN H0 Traction tyre H0	00544007	001		
32	ZAHNRAD Z:29 SCHWARZ Gear wheel Z:29, black	00564139	003		
33	ZAHNRAD Z:13/29 Gear wheel Z:13/29	00564170	006		
34	UNTERSETZUNGSRAD Reduction gear wheel	56419000	007		
	ZAHNRAD schwarz (o. Abb.) Gear wheel, black (w/o illustration)	56419400	---		
36	RITZEL Z:10 Gear wheel Z:10	00564602	004		
37	SICHERUNGSRING KLEIN Securing ring, small	00564701	001		



414001		BR 24 DB	24047	=	HO
Pos. Nr. Pos.no.	Beschreibung Description	Art.-Nr. Art.no.	Preisgruppe Price bracket		
38	SICHERUNGSRING GROSS Securing ring, big	00564702	001		
	UNTERLEGSCH. ROT 2,2X5X0,5 (o. Abb.) Washer 2.2 X 5 X 0.5 (w/o illustr.)	00564742	001		
	UNTERLEGSCH. ROT 2,3 X 5 X 0,1 (o. Abb.) Washer 2.3 X 5 X 0.1 (w/o illustr.)	00564747	001		
	UNTERLEGSCH. ROT 2,2X5X0,3 (o. Abb.) Washer 2.2 X 5 X 0.3 (w/o illustr.)	00564751	001		
42	STROMABNEHMER ISO. Loco power pick-up assembly, insulated	00614021	008		
43	KONTAKTFEDER F.4141-4143 Contacter spring	00614932	006		
44	KONTAKTFEDER Contacter spring	00614941	001		
45	KONTAKTPILZGARNITUR L:11,5 MM Contacter pin assembly	00644403	011		
46	SCHNITTST.-BLINDSTECKER 6-POL. Jumper, 6-pin	00664002	013		
47	SCHRAUBE Screw	00700313	001		
48	SCHRAUBE Screw	00700405	001		
49	SCHRAUBE Screw	00700406	001		
50	SCHRAUBE Screw	00700407	001		
51	SCHRAUBE Screw	00713516	001		
52	SCHRAUBBOLZEN F.LOK-TEND.KUKU Flanged screw for coupling betw. loco&tender	00730031	002		
53	SPLINT F. SCHLITZKPL. Split pin for slot coupling	00730503	001		
54	BOLZEN F.KUPPELSTANGE Linkage pin	00730569	001		
55	STECKPUFFER GEWÖLM.WEIB.RING Plug-in buffer, curved, with white ring	00754040	006		
56	STECKPUFFER FLACH.M.WEIB.RING Plug-in buffer, flat, with white ring	00754041	006		
57	BLATTRICHTFEDER L=14 MM Flat spring, l=14mm	00764012	002		
58	ZUGFEDER F.LOK-TEN.KUKU Draw spring for coupling between loco&tender	00764102	004		
59	BLATTFEDER F.VORLAUFGEST Flat spring for carrying wheelset	00764307	005		
	PROFI-SCHLITZKUPPLUNG (o. Abb.) Profi slot coupling (w/o illustration)	6516	---		
	ERSATZ-SCHLEIFKOHLEN (o. Abb.) Carbon brushes set (w/o illustration)	6519	---		
	Fleischmann Schlitzkupplung (o. Abb.) Fleischmann slot coupling (w/o illustration)	6520	---		
	STANDARD Schlitzkupplung (o. Abb.) Standard slot coupling (w/o illustration)	6523	---		
64	ERS.-GLÜHLAMPE M.SCHRAUBFAS. Replacement bulb, clear, with screw base	00006530	007		