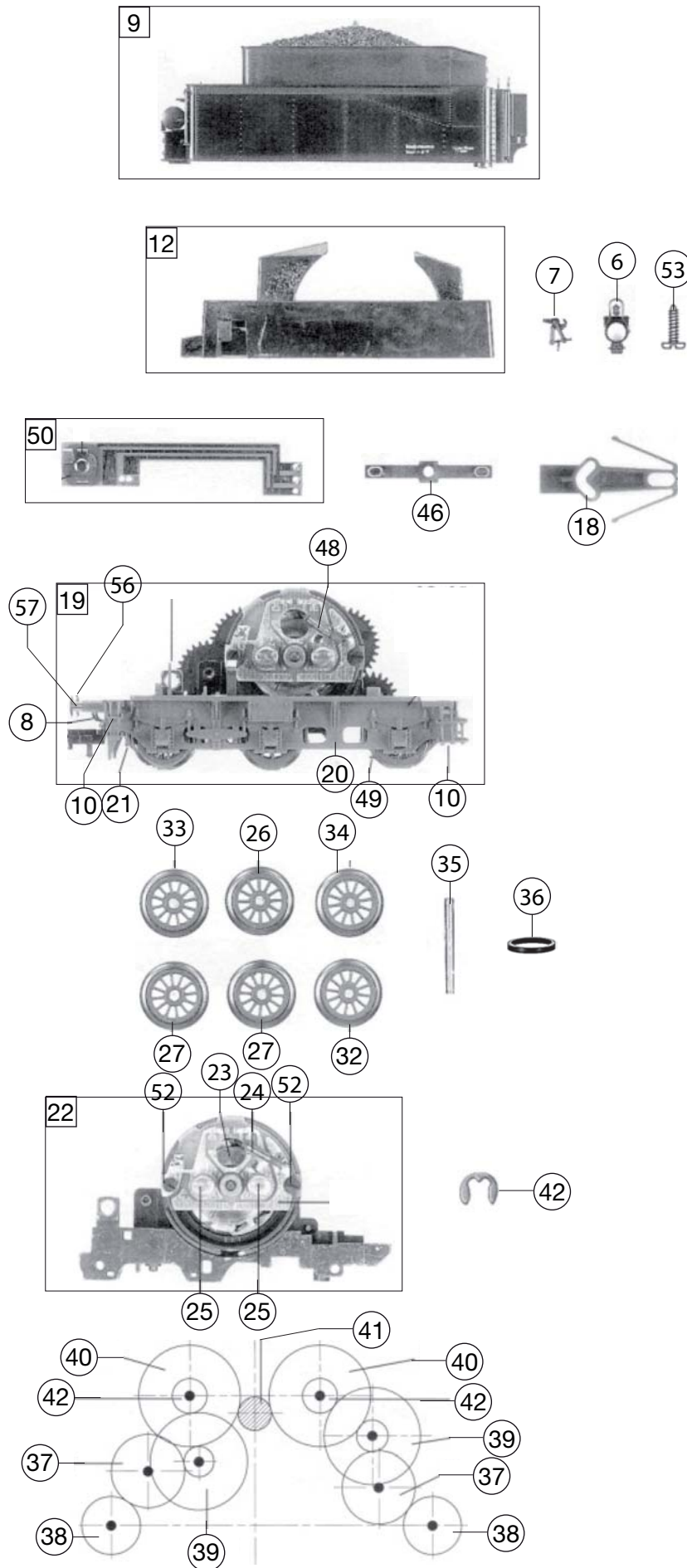


Pos. Nr. Pos.no.	Beschreibung Description	Art.-Nr. Art.no.	Preisgruppe Price bracket
1	LOKGEHAEUSE KPL. Loco boiler complete w/o driver's cab	10415401	---
2	FUEHRERHAUS KPL. Driver's cab complete	11415401	---
3	LICHTLEITER LOK + TENDER /SATZ Light conductor set	13415401	---
4	UMLAUFBLECH Running board	15415401	---
5	PFEIFE Whistle	00194607	004
6	REICHSBAHNLATERNE VORN REICHSBAHN lamp, front	00194804	008
7	KUPPLUNGSHAKEN Coupling hook	00194824	002
8	LUFTSCHLAUCH Brake hose pipe -set	19490300	---
9	TENDERGEHAEUSE KPL. Tender body complete	20415401	---
10	TREPPEN F.TENDER /S. Treadles for tender -set	22415401	---
11	GRIFSTANGEN-SATZ (o. Abb.) Handrail -set (w/o illustr.)	19490600	---
12	TENDERBESCHWERUNG Tender ballast	26415401	---
13	LOKFAHRGESTELL KPL. (OHNE DIGI) Loco chassis complete, (w/o digital)	30415401	---
14	ABDECKPLATTE M.BREMSATRAPPEN Bottom cover plate (loco)	31415401	---
15	STEUERUNG KPL. Reversing gear complete	32415401	---
16	ZYLINDERKASTEN Cylinder l&r -set	33415401	---
17	LOK-TENDERKUPPLUNG-SATZ Coupling between loco and tender -set	00344139	009
18	KUKU-DEICHSEL (Lok+Tender) Short coupling reception (loco&tender)	38405100	---
19	TENDERFAHRGEST.KPL. Tender chassis complete, without motor	40415401	---
20	TENDERBODENRAHMEN KPL. Tender floor framework complete	41415401	---
21	BREMSGESTAENGETRAEGER Brake rigging support	43415401	---
22	MOTOR MIT FAHRGESTELL Motor complete with flywheel	50415401	---
23	ANKER KPL.M.SCHWUNGMASSE Rotor complete with integr. flywheel	00504607	025
24	LAGERSCHILD ISOL. M.SCHNITTST. Motor PCB, insulated	00504737	020
25	KOEHLENROHRKAPPE Brush pipe cap	00504801	002
26	T.-U.VORLAUFRAD O.Z.O.N.ROTBRAUN Tender&bogie wheel w/o gear, w/o trac. tyre	51446400	---
27	T.-U.VORLAUFR.O.Z.O.N.ISO.ROTBRAUN Tender&bogie wheel w/o gear, w/o trac. tyre, insul.	51446500	---
28	LOKRAD N.H.KL.BOHRG.ROTBRAUN L Left coupled wheel	51446900	---
29	LOKRAD N.H.GR.BOHRG.ROTBRAUN L Right coupled wheel, insulated	51447000	---
30	LOKRAD H.H.KL.BOHRUNG ROTBRAUN Left driving wheel	51447100	---
31	LOKRAD H.H.KL.BOHRUNG ROTBRAUN Right driving wheel, insulated	51447200	---
32	VORL.- U.TENDERRAD O.N. ROTBRA Tender wheel w/o gear, with trac. tyre, insul.	51446600	---
33	TENDERRAD O.Z.M.N.ROT Tender wheel w/o gear, with trac. tyre, red	51446800	---
34	VORLAUF- U. TENDERRAD ROTBRAUN Tender wheel w/o gear, w/o trac. tyre, red	51446700	---
35	ACHSE Axle	00524011	001
36	HAFTREIFEN HO Traction tyre	00544007	001
37	ZAHNRAD Z:22 SCHWARZ Gear wheel Z:22, black	00564125	002



Pos. Nr. Pos.no.	Beschreibung Description	Art.-Nr. Art.no.	Preisgruppe Price bracket
38	ZAHNRAD SCHWARZ Gear wheel; black	56419400	---
40	UNTERSETZUNGSRAD Reduction gear wheel	56419000	007
39	UNTERSETZUNGSRAD Reduction gear wheel	56419500	---
41	RITZEL Z:10 Gear wheel Z:10	00564602	004
42	SICHERUNGSRING GROSS Securing ring, big	00564702	001
	UNTERLEGSCH.ROT 2,2X5X0,3 (o. Abb.) Washer 2.2 X 5 X 0.3, red (w/o illustr.)	00564751	001
45	STROMABNEHMEREINS. (Lok) Loco power pick-up assembly	60415401	---
46	KONTAKTFEDER (TENDER BR 55) Contact spring (tender)	00614946	001
	LEITERPLATTE (TENDERBELEUCH (o. Abb.) Tender light PCB (w/o illustr.)	65717400	---
48	ENTSTOERDROSSEL Suppressor choke	00644101	007
49	KONTAKTPILZGARNITUR Contactor pin assembly	64441800	---
50	LEITERPLATTE PCB	65717300	---
51	SCHRAUBE Screw	00700307	001
52	SCHRAUBE Screw	00700313	001
53	SCHRAUBE Screw	00713513	001
54	SCHRAUBE Screw	00713516	001
55	GEST.BOLZEN KURZ Linkage pin, short	00730552	002
56	STANGEN-STECKPUFF.GEWOELBT Plug-in shank buffer, curved	75401700	006
57	STANGEN-STECKPUFFER FLACH Plug-in shank buffer, flat	75401600	006
58	PUFFERBOHLE KPL. Frontside framework, complete	75415401	---
	Fleischmann- Steckkupplung (Lok) (o. Abb.) Fleischmann plug-in coupling (loco) (w/o illustr.)	6510	---
	STANDARD- Steckkupplung (o. Abb.) Fleischmann plug-in coupling (w/o illustration)	6511	---
	PROFI-STECKKUPPLUNG (o. Abb.) Profi coupling (w/o illustration)	6515	---
	ERSATZ-SCHLEIFKOHLEN (o. Abb.) Carbon brushes set (w/o illustration)	6519	---
	SCHNITTST.-BLINDSTECKER 6-POL. (o. Abb.) Jumper, 6-pin (w/o illustration)	00664005	013
	LUFTKESSEL (o. Abb.) Air tank (w/o illustration)	19490700	---
	BREMSZYLINDER (o. Abb.) Brake cylinder (w/o illustration)	19490800	---