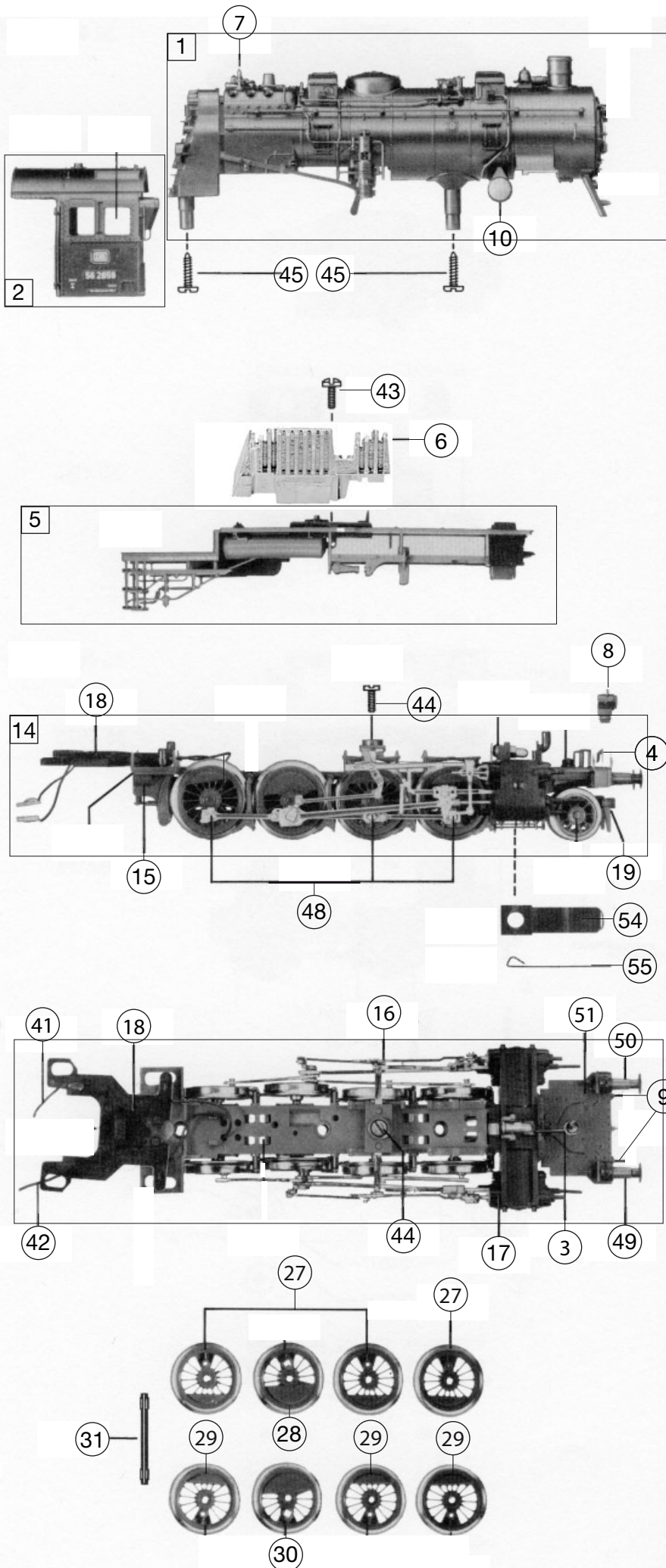


415671		BR 56.20-29	DB 56 2621	HO
Pos. Nr. Pos.no.	Beschreibung Description	Art.-Nr. Art.no.	Preisgruppe Price bracket	
1	LOKGEHAEUSE KPL. OHNE FÜHRERHA Loco boiler complete w/o driver's cab	10415601	32	
2	FUEHRERHAUS KPL. Loco driver's cab, complete	11415601	18	
3	LICHTLEITER Light conductor	00134156	5	
4	FENSTER Window	00144156	6	
5	UMLAUFBLECH Running board	15415671	18	
6	BESCHWERUNG Ballast	16415901	12	
7	PFEIFE Whistle	00194607	4	
8	REICHSBAHNLAMPE REICHSBAHN lamp	00194811	8	
9	BREMSSCHLAEUCHE-SATZ Brake hose set	00194815	11	
10	LUFTKESSEL F. BR 56 Air tank	00194816	4	
11	TENDERGEHAEUSE KPL. Tender body complete	20415601	---	
12	LICHTLEITER/TENDER 4158 Tender light conductor	00234158	4	
13	TENDERBESCHWERUNG 4156/57/58 Tender ballast	00264156	17	
14	Lokfahrgestell kpl. Loco chassis complete	30415671	---	
15	ABDECKPLATTE UNTEN (Lok) Lower cover plate (loco)	31415601	---	
16	STEUERUNG KPL.M.KUPPELSTANG.U. Reversing gear complete with coupling rod	32415601	---	
17	ZYLINDERKASTEN F.BR 56 Cylinder box	00334156	12	
18	LOKTENDER-KUPPLUNG-SATZ Coupling between loco and tender -set	34415901	11	
19	VORLAUFGESTELL KPL. Set of carrying wheels (front)	37415601	---	
20	KUKU-DEICHSEL Short coupling reception	38403300	6	
21	TENDERFAHRGESTELL KPL.O.MOTOR Tender chassis complete w/o motor	40415601	---	
22	TENDERBODENRAHMEN KPL. Tender framework, complete	41415601	---	
23	TENDERABDECKPLATTE Cover plate for tender	43415601	---	
24	MOTOR F.BR 56 ART.NR. 834900 Motor art. no. 834900	00504157	24	
25	MOTORHALTER F.4165/BR 39 U.56 Motor retainer clip, front	00504902	4	
26	MOTORHALTER HINTEN M.KONTAKT Motor retainer clip, rear, with contacts	50491600	11	
27	KUPPELRAD LINKS Left coupled wheel	00514263	7	
28	TREIBRAD LINKS F. BR 56 Left driving wheel	00514264	7	
29	KUPPELRAD RECHTS ISOL.BR55/56 Right coupled wheel, insulated	00514265	8	
30	TREIBRAD RECHTS ISOL.F. BR 56 Right driving wheel, insulated	00514266	8	
31	ACHSE Axle	00524011	1	
32	RADSATZ m.Z.m.N. Tender wheel with gear, with traction tyre	53422700	14	
33	TENDERRADSATZ O.Z.O.N. Tender wheel w/o gear, w/o traction tyre	00534028	11	
34	HAFTREIFEN HO Traction tyre	00544007	1	
35	UNTERSETZUNGSRAD Reduction gear wheel	56461400	3	
36	ZAHNRAD Gear wheel	56461500	3	
37	SCHNECKE Worm gear	56461600	6	



415601		BR 56.20-29	DB 56 2621	=	HO
Pos. Nr. Pos.no.	Beschreibung Description	Art.-Nr. Art.no.	Preisgruppe Price bracket		
1	LOKGEHAEUSE KPL. OHNE FÜHRERHA Loco boiler complete w/o driver's cab	10415601	32		
2	FUEHRERHAUS KPL. Loco driver's cab, complete	11415601	18		
3	LICHTLEITER Light conductor	00134156	5		
4	FENSTER Window	00144156	6		
5	UMLAUFBLECH Running board	15415601	18		
6	BESCHWERUNG Ballast	16415901	12		
7	PFEIFE Whistle	00194607	4		
8	REICHSBAHNLAMPE REICHSBAHN lamp	00194811	8		
9	BREMSSCHLAEUCHE-SATZ Brake hose set	00194815	11		
10	LUFTKESSEL F. BR 56 Air tank	00194816	4		
11	TENDERGEHAEUSE KPL. Tender body complete	20415601	---		
12	LICHTLEITER/TENDER 4158 Tender light conductor	00234158	4		
13	TENDERBESCHWERUNG 4156/57/58 Tender ballast	00264156	17		
14	Lokfahrgestell kpl. Loco chassis complete	30415601	---		
15	ABDECKPLATTE UNTEN (Lok) Lower cover plate (loco)	31415601	---		
16	STEUERUNG KPL.M.KUPPELSTANG.U. Reversing gear complete with coupling rod	32415601	---		
17	ZYLINDERKASTEN F.BR 56 Cylinder box	00334156	12		
18	LOKTENDER-KUPPLUNG-SATZ Coupling between loco and tender -set	34415901	11		
19	VORLAUFGESTELL KPL. Set of carrying wheels (front)	37415601	---		
20	KUKU-DEICHSEL Short coupling reception	38403300	6		
21	TENDERFAHRGESTELL KPL.O.MOTOR Tender chassis complete w/o motor	40415601	---		
22	TENDERBODENRAHMEN KPL. Tender framework, complete	41415601	---		
23	TENDERABDECKPLATTE Cover plate for tender	43415601	---		
24	MOTOR F.BR 56 ART.NR. 834900 Motor art. no. 834900	00504157	24		
25	MOTORHALTER F.4165/BR 39 U.56 Motor retainer clip, front	00504902	4		
26	MOTORHALTER HINTEN M.KONTAKT Motor retainer clip, rear, with contacts	50491600	11		
27	KUPPELRAD LINKS Left coupled wheel	00514263	7		
28	TREIBRAD LINKS F. BR 56 Left driving wheel	00514264	7		
29	KUPPELRAD RECHTS ISOL.BR55/56 Right coupled wheel, insulated	00514265	8		
30	TREIBRAD RECHTS ISOL.F. BR 56 Right driving wheel, insulated	00514266	8		
31	ACHSE Axle	00524011	1		
32	RADSATZ m.Z.m.N. Tender wheel with gear, with traction tyre	53422700	14		
33	TENDERRADSATZ O.Z.O.N. Tender wheel w/o gear, w/o traction tyre	00534028	11		
34	HAFTREIFEN HO Traction tyre	00544007	1		
35	UNTERSETZUNGSRAD Reduction gear wheel	56461400	3		
36	ZAHNRAD Gear wheel	56461500	3		
37	SCHNECKE Worm gear	56461600	6		