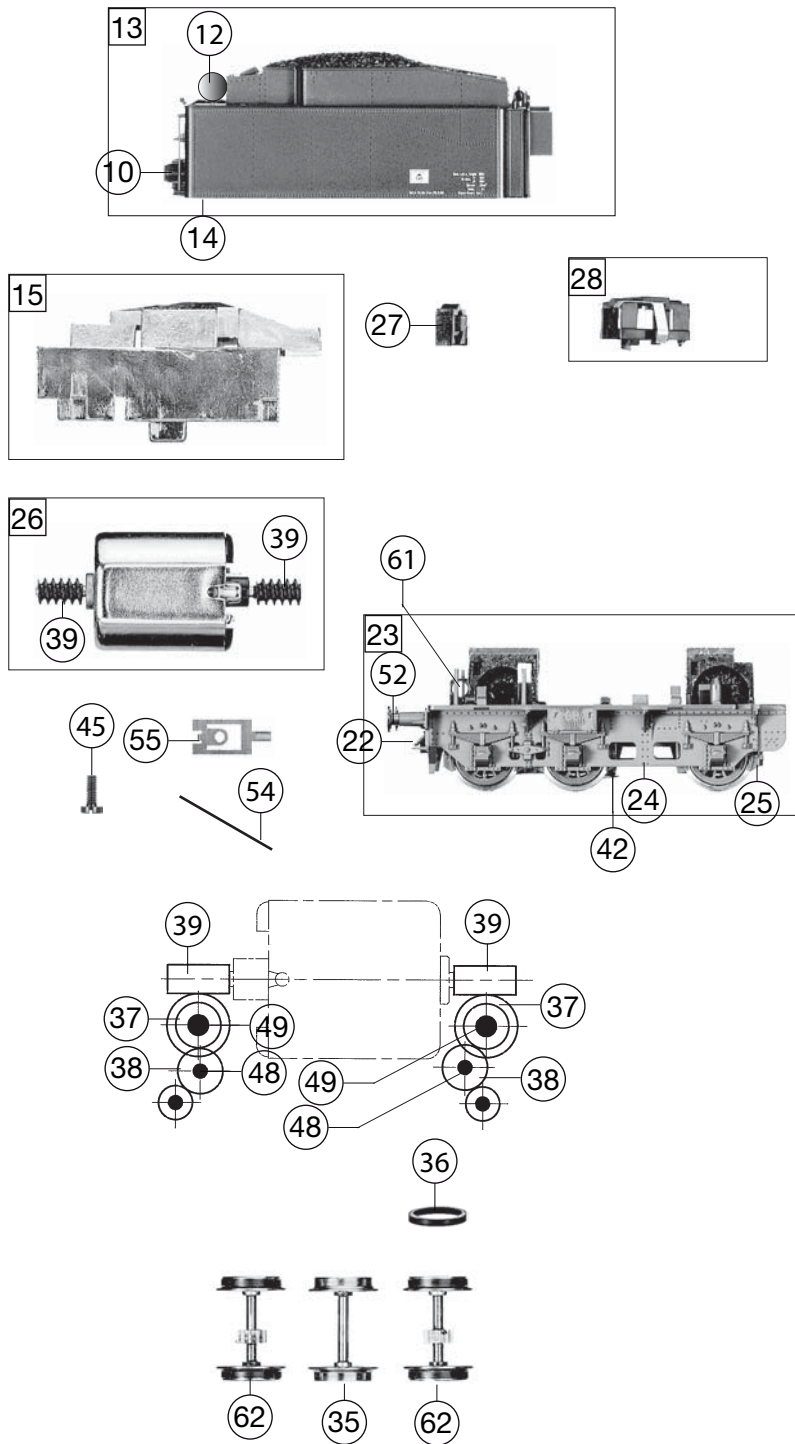


415971 BR56 CSD		562786/4370500 4160500			HO
Pos. Nr. Pos. no.	Beschreibung Description	Art.-Nr. Art. no.	Preisgruppe Price bracket		
1	LOKGEHAEUSE KPL.415901 Loco boiler complete w/o driver's cab	10415901	032		
2	FUEHRERHAUS KPL. 415901 Driver's cab complete	11415901	019		
3	LICHTLEITER Light conductor set	00134156	005		
4	FENSTER Windows	00144156	006		
5	UMLAUFBLECH Running board	15415971	026		
6	BESCHWERUNG Ballast	16415901	012		
7	PFEIFE Whistle	00194607	004		
8	HANDRAD F.BR 56 U. 78 Hand wheel	00194705	001		
9	REICHSBAHNLATERNE VORN REICHSBAHN lamp, front	00194804	008		
10	LATERNE HINTEN F.ART.NR.4156 Rear lamp	00194814	008		
11	BREMSSCHLAEUCHE-SATZ (o.Abb.) Brake hose pipe -set (w/o illustr.)	00194815	011		
12	LUFTKESSEL Air tank	19488300	004		
13	TENDERGEHAEUSE KPL. Tender body complete	20415901	024		
14	LICHTLEITER/TENDER 4156 Tender light conductor	00234156	006		
15	TENDERBESCHWERUNG 4156/57/58 Tender ballast	00264156	017		
16	LOKFAHRGESTELL O.LAM.F.415971 Loco chassis complete, w/o lamps	30415971	043		
17	ABDECKPLATTE UNTEN (Lok) Bottom cover plate (loco)	31415901	011		
18	STEUERUNG KPL.M.KUPPELSTANG.U. Reversing gear complete with coupling rods	32415901	033		
19	ZYLINDERKASTEN F.BR 56 Cylinder l&r -set	00334156	012		
20	LOKTENDER-KUPPLUNG-SATZ Coupling between loco and tender -set	34415901	011		
21	VORLAUFGESELL KPL. Set of carrying wheels (front), complete	37415901	015		
22	KUKU-DEICHSEL (Tender) Short coupling reception (tender)	38403300	006		
23	TENDERFAHRGESTELL KPL.O.MOTOR Tender chassis complete, without motor	40415901	033		
24	TENDERBODENRAHMEN KPL. Tender framework complete	41415901	020		
25	TENDERABDECKPLATTE Cover plate for tender	43415901	011		
26	MOTOR F.BR 56 ART.NR. 834900 Motor	00504157	024		
27	MOTORHALTER F.4165/BR 39 U.56 Motor retainer clip (forward)	00504902	004		
28	MOTORHALTER HINTEN M.KONTAKT Motor retainer clip, rear, with contacts	50491600	011		
29	KUPPELRAD LINKS Left coupled wheel	00514263	007		
30	TREIBRAD LINKS F. BR 56 Left driving wheel	00514264	007		
31	KUPPELRAD RECHTS ISOL.BR55/56 Right coupled wheel, insulated	00514265	008		
32	TREIBRAD RECHTS ISOL.F. BR 56 Right driving wheel, insulated	00514266	008		
33	ACHSE Axle	00524011	001		
34	RADSATZ Wheelset	53422700	014		
35	TENDERRADSATZ O.Z.O.N. Tender wheelset w/o gear, w/o trac. tyre	00534028	011		
36	HAFTREIFEN HO Traction tyre	00544007	001		
37	UNTERSETZUNGSRAD Reduction gear wheel	56461400	003		



415971 BR56 CSD		562786/4370500 4160500		=	HO
Pos. Nr. Pos.no.	Beschreibung Description	Art.-Nr. Art.no.	Preisgruppe Price bracket		
38	ZAHNRAD Gear wheel	56461500	003		
39	SCHNECKE Worm gear wheel	56461600	006		
40	STROMABNEHMEREINSATZ (Lok) Loco power pick-up assembly	60415901	022		
41	ENTSTOERKONDENSATOR (o. Abb.) Anti-noise capacitor (w/o illustr.)	00644202	006		
42	KONTAKTPILZGARNITUR L:10 MM Contacter pin assembly	00644401	011		
43	SCHALTLITZE SCHWARZ 350 MM Cable, black	00667000	009		
44	SCHALTLITZE BRAUN 350 MM Cable, brown	00667001	009		
	LAUTSPRECHER (o. Abb.) Loudspeaker (w/o illustr.)	68400400	016		
	SOUND-DECODER (o. Abb.) Sound decoder (w/o illustr.)	68415971	---		
47	SCHRAUBE Screw	00700306	001		
48	SCHRAUBE Screw	00700406	001		
49	SCHRAUBE Screw	00713513	001		
50	BOLZEN BRÜN. Bolt	73058500	003		
51	BUNDBOLZEN Flanged bolt	73058600	003		
52	GEST.BOLZEN KURZ Linkage pin, short	00730552	002		
53	Steckpuffer Plug-in buffer, curved	00754006	002		
54	STECK-PUFFER FLACH Plug-in buffer, flat	00754015	002		
55	PUFFERBOHLE KPL. Frontside framework, complete	75415901	019		
56	RICHTFEDER F.4113 (Tender) Straightening spring (tender)	00764020	002		
57	DRUCKFEDER F.LOKRADSATZ Pressure spring for loco wheelset	00764310	001		
58	BLATTFEDER F.VORLAUFGEST Flat spring for carrying wheelset	00764307	005		
59	RICHTFEDER F.VORLAUFGEST Straightening spring for carrying wheelset	00764009	003		
60	Fleischmann- Steckkupplung (Lok) (o. Abb.) Fleischmann plug-in coupling (loco) (w/o illustr.)	6509	---		
61	STANDARD- Steckkupplung (o. Abb.) Fleischmann plug-in coupling (w/o illustration)	6511	---		
62	PROFI-STECKKUPPLUNG (o. Abb.) Profi coupling (w/o illustration)	6515	---		
63	ERS.-GLUEHLAMPE KLAR M.STECKFA Replacement bulb, clear, with plug-in socket	00006535	008		
	BUCHSENLEISTE 6-POL.F.SCHNITT. (o. Abb.) Connector interface, 6-pin (w/o illustr.)	00654073	014		
	SCHNITTST.-BLINDSTECKER 6-POL. (o. Abb.) Jumper, 6-pin (w/o illustr.)	00664002	013		
62	Tenderradsatz M.Z.M.N. Tender wheelset with gear, with trac. tyre	00534027	014		