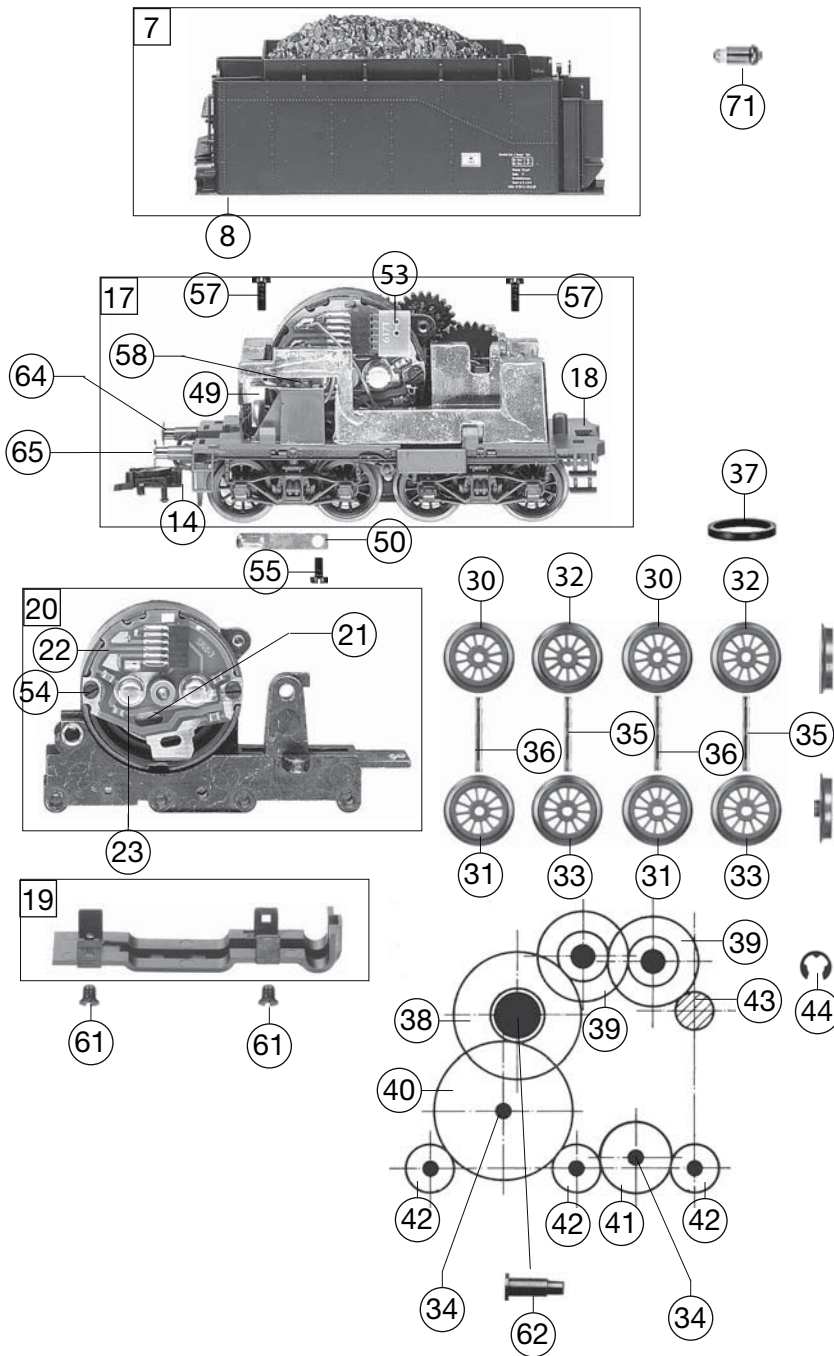


416102		BR 38 CSD	3770509	=	H0
Pos.-Nr. Pos.no.	Beschreibung Description	Art.-Nr. Art.no.	Preisgruppe Price bracket		
1	LOKKESSEL kpl. Loco boiler complete w/o driver's cab	10416102	038		
2	FUEHRERHAUS KPL.BR38 CSD EPIII Driver's cab complete	11416102	018		
4	LICHTLEITER-SATZ Light conductor set	00134160	011		
	BREMSSCHLAUCH F.BR 38 (o. Abb.) Brake hose pipe (w/o illustr.)	00194801	002		
6	KUPPLUNGSHAKEN Coupling hook	00194802	002		
7	TENDERGEHAEUSE kpl. Tender body complete	20416102	018		
8	LICHTLEITER/TENDER 4160 Tender light conductor	00234160	006		
9	LOKFAHRGESTELL F.416102 Loco chassis complete with interface	30416102	043		
10	ABDECKPLATTE Cover plate (loco)	31416102	011		
11	STEUERUNG KPL. MIT VERBUNDSTAN Reversing gear complete with coupling rods	32416171	032		
12	ZYLINDERKASTEN F.BR 38 DB Cylinder I&R -set	33416171	012		
13	VORLAUFGESTELL kpl. Bogie (front), red	37416102	020		
14	KUKU-DEICHSEL F.TENDER ROT Short coupling reception, tender side, red	38403100	006		
15	KUKU-DEICHSEL U.DEICHSELABDECK (LOK) Coupling between loco and tender -set	38416401	012		
16	DEICHSEL F.VORLAUFGEST.BR 38 Bogie shaft	00384160	012		
17	TENDERFAHRGESTELL M.MOTOR Tender chassis complete with motor	40416102	039		
18	TENDERBODENRAHMEN KPL. Tender framework complete	41416102	021		
19	ABDECKPLATTE (TENDER) Cover plate for tender	43411701	011		
20	MOTOR KPL.M.SCHWUNGM.M.SS Motor with flywheel, complete with interface	504167022	033		
21	ANKER KPL.M.SCHWUNGMASSE Rotor complete with flywheel	00504607	025		
22	LAGERSCHILD ISOL.M.SCHNITTST. Motor PCB, insulated, with interface	00504736	019		
23	KOHLENROHRKAPPE Brush pipe cap	00504801	002		
24	TREIBRAD O.Z.O.N.ROT F.P8 Driving wheel w/o gear, w/o traction tyre, red	00514184	007		
25	TREIBRAD O.Z.O.N.ISO.ROT F.P8 Driving wheel w/o gear, w/o traction tyre, insul.	00514185	007		
26	KUPPELRAD O.Z.O.N.ROT F.P8 Coupled wheel w/o gear, w/o traction tyre, red	00514186	006		
27	KUPPELRAD O.Z.O.N.ISO.ROT F.P8 Coupled wheel w/o gear, w/o traction tyre, insul.	00514187	007		
28	T.-U.VORLAUFRAD O.Z.O.N.ROT Tender&bogie wheel w/o gear, w/o trac. tyre	00514188	006		
29	T.-U.VORLAUFRO.Z.O.N.ISO.ROT Tender&bogie wheel w/o gear, w/o trac. tyre, insul.	00514189	007		
30	T.RAD O.Z.O.N 12 SPEICHEN Tender wheel w/o gear, w/o trac. tyre	00514190	006		
31	T.RAD O.Z.O.N.ISO.12 SPEICHEN Tender wheel w/o gear, w/o trac. tyre, insul.	00514191	007		
32	T.RAD O.Z.M.N. 12 SPEICHEN Tender wheel w/o gear, with trac. tyre	00514192	006		
33	T.RAD O.Z.M.N.ISO.ROT Tender wheel w/o gear, with trac. tyre, insul.	00514193	007		
34	ACHSE 10 MM Axle 10mm	00524002	002		
35	ACHSE MITTIG GEKERBT F.ZAHNRAD Axle, center milled	00524005	006		
36	ACHSE GERAENDELT 20 MM Milled axle	00524006	002		
37	HAFTREIFEN H0 Traction tyre H0	00544007	001		
38	UNTERSETZUNGSRAD Z:33/14 SCWA Reduction gear wheel Z:33/14, black	00564115	002		



416102	BR 38 CSD	922509	=	HO
Pos. Nr. Pos.no.	Beschreibung Description	Art.-Nr. Art.no.	Preisgruppe Price bracket	
39	UNTERSETZUNGSRAD Z:24/13 SCHWA Reduction gear wheel Z:24/13, black	00564117	004	
40	ZAHNRAD Z:36 SCHWARZ Gear wheel Z:36, black	00564119	003	
41	ZAHNRAD Z:18 SCHWARZ Gear wheel Z:18, black	00564120	003	
42	ZAHNRAD Z:13 SCHWARZ Gear wheel Z:13, black	00564121	003	
43	RITZEL Z:10 Gear wheel Z:10	00564602	004	
44	SICHERUNGSRING KLEIN Securing ring, small	00564701	001	
	UNTERLEGSCH. 2,3 X 5 X 0,1 (o. Abb.) Washer 2.3 X 5 X 0.1 (w/o illustr.)	00564747	001	
	UNTERLEGSCH. ROT 2,2X5X0,3 (o. Abb.) Washer 2.2 X 5 X 0.3 (w/o illustr.)	00564751	001	
47	DISTANZRING BRUENIERT Spacer ring	00564776	002	
48	STROMABNEHMEREINSATZ SCHWARZ (Lok) Loco power pick-up assembly, black	60416102	017	
49	KONTAKTFEDER SATZ F.4167 Set of contact springs	06148021	009	
50	KONTAKTFEDER F.BR 38 Contacter spring	00614924	005	
	ENTSTOERDROSSEL (o. Abb.) Suppressor choke (w/o illustr.)	00644101	007	
52	KONTAKTPILZGARNITUR L:11,5 MM Contacter pin assembly	00644403	011	
53	SCHNITTST.-BLINDSTECKER 6-POL. Jumper, 6-pin	00664002	013	
54	SCHRAUBE Screw	00700313	001	
55	ZYLINDERKOPFSCHRAUBE Cylinder head screw	00700403	001	
56	SCHRAUBE Screw	00700405	001	
57	SCHRAUBE Screw	00700416	001	
58	SCHRAUBE Screw	00713506	001	
59	SCHRAUBE Screw	00713713	001	
60	ANSATZSCHRAUBE Flanged screw	00730008	002	
61	SCHRAUBE Screw	00730025	002	
62	BOLZEN F. ZAHNRAD Bolt for gear wheel	00730509	004	
63	BOLZEN F.KUPPELSTANGE Linkage pin	00730569	001	
64	Steckpuffer Plug-in buffer, curved	00754006	002	
65	STECK-PUFFER FLACH Plug-in buffer, flat	00754015	002	
	DRUCKFEDER F.LOKRADSATZ (o. Abb.) Pressure spring for loco wheelset (w/o illust.)	00764310	001	
	Fleischmann- Steckkupplung (Lok) (o. Abb.) Fleischmann plug-in coupling (loco) (w/o illust.)	6510	---	
	STANDARD- Steckkupplung (o. Abb.) Fleischmann plug-in coupling (w/o illustration)	6511	---	
	PROFI-STECKKUPPLUNG (o. Abb.) Profi coupling (w/o illustration)	6515	---	
	ERSATZ-SCHLEIFKOHLEN Carbon brushes set	6519	---	
71	ERS.-GLUEHLAMPE KLAR M.STECKFA Replacement bulb, clear, with plug-in socket	00006535	008	