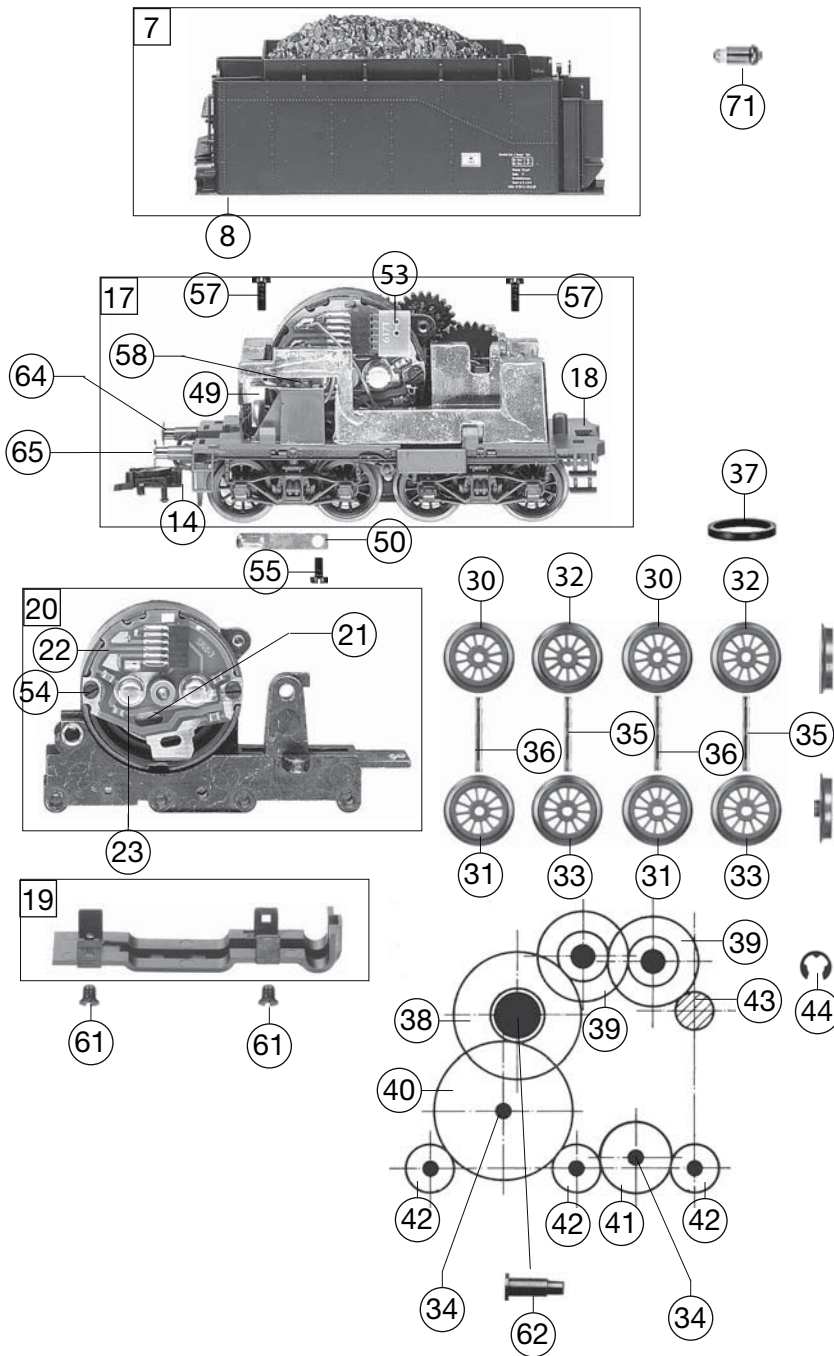


416171	BR 38 DB	382878		=	HO
Pos.-Nr. Pos.no.	Beschreibung Description		Art.-Nr. Art.no.	Preisgruppe Price bracket	
1	LOKKESEL BR38.10-40 DB EP.III Loco boiler complete w/o driver's cab		10416171	035	
2	FUEHRERHAUS KPL.BR 38 DB Driver's cab complete		11416171	018	
3	WITTE-WINDLEITBLECHE-SATZ WITTE wind deflector set		00124162	013	
4	LICHTLEITER-SATZ Light conductor set		00134162	011	
	BREMSSCHLAUCH F.BR 38 (o. Abb.) Brake hose pipe (w/o illustr.)		00194801	002	
5	KUPPLUNGSHAKEN Coupling hook		00194802	002	
6	TENDERGEHAEUSE BR 38 DB Tender body complete		20416171	019	
7	FLUTLICHTLEITER Tender light conductor		23416171	006	
8	LOKFAHRGESTELL KPL.416171 Loco chassis complete		30416171	042	
9	ABDECKPLATTE BR 38 Cover plate (loco)		31416171	011	
10	STEUERUNG KPL. MIT VERBUNDSTAN Reversing gear complete with coupling rods		32416171	032	
11	ZYLINDERKASTEN F.BR 38 DB Cylinder l&r -set		33416171	012	
12	VORLAUFGESTELL ROT F.BR 38 Bogie (front), red		37416171	020	
13	KUKU-DEICHSEL F.TENDER ROT Short coupling reception, tender side, red		38403100	006	
14	LOK-TENDERKUPPL.U.DEICHSEL-S. (LOK) Coupling between loco and tender -set		00384113	012	
15	DEICHSEL F.VORLAUFGEST.BR 38 Bogie shaft		00384160	012	
16	TENDERFAHRGESTELL M.MO. Tender chassis complete with motor		40416171	039	
17	TENDERRAHMEN KPL.F.416171 Tender framework complete		41416171	021	
18	ABDECKPLATTE (TENDER) Cover plate for tender		43416171	011	
19	MOTOR KPL.M.SCHWUNGM.F.416171 Motor with flywheel		50416171	034	
20	ANKER KPL.M.SCHWUNGMASSE Rotor complete with flywheel		00504607	025	
21	LAGERSCHILD ISOL. Motor PCB, insulated		00504741	017	
22	KOHLENROHRKAPPE Brush pipe cap		00504801	002	
23	TREIBRAD O.Z.O.N.ROT F.P8 Driving wheel w/o gear, w/o traction tyre, red		00514184	007	
24	TREIBRAD O.Z.O.N.ISO.ROT F.P8 Driving wheel w/o gear, w/o traction tyre, insul.		00514185	007	
25	KUPPELRAD O.Z.O.N.ROT F.P8 Coupled wheel w/o gear, w/o traction tyre, red		00514186	006	
26	KUPPELRAD O.Z.O.N.ISO.ROT F.P8 Coupled wheel w/o gear, w/o traction tyre, insul.		00514187	007	
27	T.-U.VORLAUFRAD O.Z.O.N.ROT Tender&bogie wheel w/o gear, w/o trac. tyre		00514188	006	
28	T.-U.VORLAUFR.O.Z.O.N.ISO.ROT Tender&bogie wheel w/o gear, w/o trac. tyre, insul.		00514189	007	
29	T.RAD O.Z.O.N 12 SPEICHEN Tender wheel w/o gear, w/o trac. tyre		00514190	006	
30	T.RAD O.Z.O.N.ISO.12 SPEICHEN Tender wheel w/o gear, w/o trac. tyre, insul.		00514191	007	
31	T.RAD O.Z.M.N. 12 SPEICHEN Tender wheel w/o gear, with trac. tyre		00514192	006	
32	T.RAD O.Z.M.N.ISO.ROT Tender wheel w/o gear, with trac. tyre, insul.		00514193	007	
33	ACHSE 10 MM Axle 10mm		00524002	002	
34	ACHSE MITTIG GEKERBT F.ZAHNRAD Axle, center milled		00524005	006	
35	ACHSE GERAENDEL 20 MM Milled axle, 20mm		00524006	002	
36	HAFTREIFEN HO Traction tyre HO		00544007	001	



416171	BR 38 DB	382878		=	HO
Pos. Nr. Pos.no.	Beschreibung Description		Art.-Nr. Art.no.	Preisgruppe Price bracket	
38	UNTERSETZUNGSRAD Z:33/14 SCHWA Reduction gear wheel Z:33/14, black		00564115	002	
39	UNTERSETZUNGSRAD Z:24/13 SCHWA Reduction gear wheel Z:24/13, black		00564117	004	
40	ZAHNRAD Z:36 SCHWARZ Gear wheel Z:36, black		00564119	003	
41	ZAHNRAD Z:18 SCHWARZ Gear wheel Z:18, black		00564120	003	
42	ZAHNRAD Z:13 SCHWARZ Gear wheel Z:13, black		00564121	003	
43	RITZEL Z:10 Gear wheel Z:10		00564602	004	
44	SICHERUNGSRING KLEIN Securing ring, small		00564701	001	
	UNTERLEGSCH. 2,3 X 5 X 0,1 (o. Abb.) Washer 2.3 X 5 X 0.1 (w/o illustr.)		00564747	001	
	UNTERLEGSCH. ROT 2,2X5X0,3 (o. Abb.) Washer 2.2 X 5 X 0.3 (w/o illustr.)		00564751	001	
47	DISTANZRING BRUENIERT Spacer ring		00564776	002	
48	STROMABNEHMEREINSATZ F.416171 (Lok) Loco power pick-up assembly, black		60416171	016	
49	KONTAKTFEDER SATZ F.4160/64 Set of contact springs		00614801	009	
50	KONTAKTFEDER F.BR 38 Contacter spring		00614924	005	
	HALTEPLATTE (o. Abb.) Mounting plate (w/o illustr.)		62416171	007	
	HALTEPLATTE (o. Abb.) Mounting plate (w/o illustr.)		62416171	007	
	ENTSTOERDROSSEL (o. Abb.) Suppressor choke (w/o illustr.)		00644101	007	
52	KONTAKTPILZGARNITUR L:11,5 MM Contacter pin assembly		00644403	011	
	LAUTSPRECHER Ø 16 mm (o. Abb.) Loudspeaker Ø 16mm (w/o illustr.)		68400200	---	
54	SCHRAUBE Screw		00700313	001	
55	ZYLINDERKOPFSCHRAUBE Cylinder head screw		00700403	001	
56	SCHRAUBE Screw		00700405	001	
	SCHRAUBE Screw		00700406	001	
57	SCHRAUBE Screw		00700416	001	
58	SCHRAUBE Screw		00713506	001	
59	SCHRAUBE Screw		00713713	001	
60	ANSATZSCHRAUBE Flanged screw		00730008	002	
61	SCHRAUBE Screw		00730025	002	
62	BOLZEN F. ZAHNRAD Bolt for gear wheel		00730509	004	
63	BOLZEN F.KUPPELSTANGE Linkage pin		00730569	001	
64	STECKPUFFER GEWÖLM.WEIB.RING Plug-in buffer, curved, with white ring		00754040	006	
65	STECKPUFFER FLACH.M.WEIB.RING Plug-in buffer, flat, with white ring		00754041	006	
	DRUCKFEDER F.LOKRADSATZ (o. Abb.) Pressure spring for loco wheelset (w/o illustr.)		00764310	001	
	Fleischmann- Steckkupplung (Lok) (o. Abb.) Fleischmann plug-in coupling (loco) (w/o illustr.)		6510	---	
	STANDARD- Steckkupplung (o. Abb.) Fleischmann plug-in coupling (w/o illustration)		6511	---	
	PROFI-STECKKUPPLUNG (o. Abb.) Profi coupling (w/o illustration)		6515	---	
	ERSATZ-SCHLEIFKOHLEN Carbon brushes set		6519	---	
71	ERS.-GLUEHLAMPE KLAR M.STECKFA Replacement bulb, clear, with plug-in socket		00006535	008	