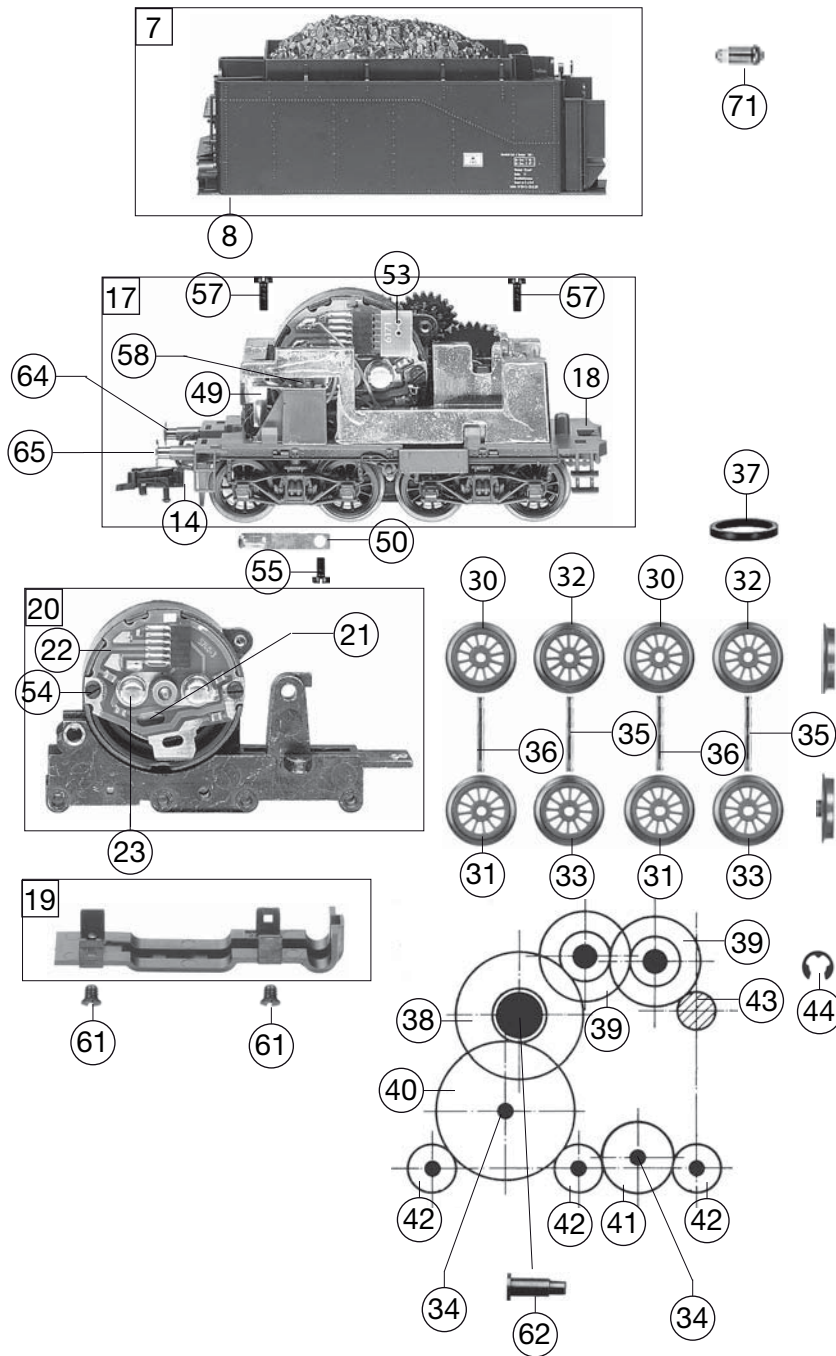


416172		BR 38 CSD	3770509		=	HO
Pos. Nr. Pos.no.	Beschreibung Description	Art.-Nr. Art.no.	Preisgruppe Price bracket			
1	LOKKESEL kpl. Loco boiler complete w/o driver's cab	10416172	038			
2	FUEHRERHAUS KPL.BR38 CSD EPIII Driver's cab complete	11416102	018			
4	LICHTLEITER-SATZ Light conductor set	00134160	011			
	BREMSSCHLAUCH F.BR 38 (o. Abb.) Brake hose pipe (w/o illustr.)	00194801	002			
5	KUPPLUNGSHAKEN Coupling hook	00194802	002			
6	TENDERGEHAEUSE kpl. Tender body complete	20416102	018			
7	LICHTLEITER/TENDER 4160 Tender light conductor	00234160	006			
8	LOKFAHRGESTELL F.416172 Loco chassis complete	30416172	043			
9	ABDECKPLATTE Cover plate (loco)	31416102	011			
10	STEUERUNG KPL. MIT VERBUNDSTAN Reversing gear complete with coupling rods	32416171	032			
11	ZYLINDERKASTEN F.BR 38 DB Cylinder I&r -set	33416171	012			
12	VORLAUFGESTELL kpl. Bogie (front), red	37416102	020			
13	KUKU-DEICHSEL F.TENDER ROT Short coupling reception, tender side, red	38403100	006			
14	KUKU-DEICHSEL U.DEICHSELABDECK (LOK) Coupling between loco and tender -set	38416401	012			
15	DEICHSEL F.VORLAUFGEST.BR 38 Bogie shaft	00384160	012			
16	TENDERFAHRGESTELL M.MOTOR Tender chassis complete with motor	40416172	039			
17	TENDERBODENRAHMEN KPL. Tender framework complete	41416102	021			
18	ABDECKPLATTE (TENDER) Cover plate for tender	43416171	011			
19	MOTOR KPL.M.SCHWUNGM.F.416171 Motor with flywheel	50416171	034			
20	ANKER KPL.M.SCHWUNGMASSE Rotor complete with flywheel	00504607	025			
21	LAGERSCHILD ISOL. Motor PCB, insulated	00504741	017			
22	KOHLENROHRKAPPE Brush pipe cap	00504801	002			
23	TREIBRAD O.Z.O.N.ROT F.P8 Driving wheel w/o gear, w/o traction tyre, red	00514184	007			
24	TREIBRAD O.Z.O.N.ISO.ROT F.P8 Driving wheel w/o gear, w/o traction tyre, insul.	00514185	007			
25	KUPPELRAD O.Z.O.N.ROT F.P8 Coupled wheel w/o gear, w/o traction tyre, red	00514186	006			
26	KUPPELRAD O.Z.O.N.ISO.ROT F.P8 Coupled wheel w/o gear, w/o traction tyre, insul.	00514187	007			
27	T.-U.VORLAUFRAD O.Z.O.N.ROT Tender&bogie wheel w/o gear, w/o trac. tyre	00514188	006			
28	T.-U.VORLAUFR.O.Z.O.N.ISO.ROT Tender&bogie wheel w/o gear, w/o trac. tyre, insul.	00514189	007			
29	T.RAD O.Z.O.N 12 SPEICHEN Tender wheel w/o gear, w/o trac. tyre	00514190	006			
30	T.RAD O.Z.O.N.ISO.12 SPEICHEN Tender wheel w/o gear, w/o trac. tyre, insul.	00514191	007			
31	T.RAD O.Z.M.N. 12 SPEICHEN Tender wheel w/o gear, with trac. tyre	00514192	006			
32	T.RAD O.Z.M.N.ISO.ROT Tender wheel w/o gear, with trac. tyre, insul.	00514193	007			
33	ACHSE 10 MM Axle 10mm	00524002	002			
34	ACHSE MITTIG GEKERBT F.ZAHNRAD Axle, center milled	00524005	006			
35	ACHSE GERAENDELT 20 MM Milled axle	00524006	002			
36	HAFTREIFEN HO Traction tyre HO	00544007	001			
37	UNTERSETZUNGSRAD Z:33/14 SCWA Reduction gear wheel Z:33/14, black	00564115	002			



416172	BR 38 CSD	922509		=	HO
Pos. Nr. Pos.no.	Beschreibung Description	Art.-Nr. Art.no.	Preisgruppe Price bracket		
39	UNTERSETZUNGSRAD Z:24/13 SCHWA Reduction gear wheel Z:24/13, black	00564117	004		
40	ZAHNRAD Z:36 SCHWARZ Gear wheel Z:36, black	00564119	003		
41	ZAHNRAD Z:18 SCHWARZ Gear wheel Z:18, black	00564120	003		
42	ZAHNRAD Z:13 SCHWARZ Gear wheel Z:13, black	00564121	003		
43	RITZEL Z:10 Gear wheel Z:10	00564602	004		
44	SICHERUNGSRING KLEIN Securing ring, small	00564701	001		
	UNTERLEGSCH.ROT 2,3 X 5 X 0,1 (o. Abb.) Washer 2.3 X 5 X 0.1 (w/o illustr.)	00564747	001		
	UNTERLEGSCH.ROT 2,2X5X0,3 (o. Abb.) Washer 2.2 X 5 X 0.3 (w/o illustr.)	00564751	001		
47	DISTANZRING BRUENIERT Spacer ring	00564776	002		
48	STROMABNEHMEREINSATZ SCHWARZ (Lok) Loco power pick-up assembly, black	60416102	017		
49	KONTAKTFEDER SATZ F.4167 Set of contact springs	06148021	009		
50	KONTAKTFEDER F.BR 38 Contacter spring	00614924	005		
	HALTEPLATTE (o. Abb.) Mounting plate (w/o illustr.)	62416171	007		
	HALTEPLATTE (o. Abb.) Mounting plate (w/o illustr.)	624161711	007		
	ENTSTOERDROSSEL (o. Abb.) Suppressor choke (w/o illustr.)	00644101	007		
52	KONTAKTPILZGARNITUR L:11,5 MM Contacter pin assembly	00644403	011		
	LAUTSPRECHER (o. Abb.) Loudspeaker (w/o illustr.)	68400400	016		
	SOUND-DECODER (o. Abb.) Sound decoder (w/o illustr.)	68416172	---		
54	SCHRAUBE Screw	00700313	001		
55	ZYLINDERKOPFSCHRAUBE Cylinder head screw	00700403	001		
56	SCHRAUBE Screw	00700405	001		
	SCHRAUBE (o. Abb.) Screw (w/o illustr.)	00700406	001		
57	SCHRAUBE Screw	00700416	001		
58	SCHRAUBE Screw	00713506	001		
59	SCHRAUBE Screw	00713713	001		
60	ANSATZSCHRAUBE Flanged screw	00730008	002		
61	SCHRAUBE Screw	00730025	002		
62	BOLZEN F. ZAHNRAD Bolt for gear wheel	00730509	004		
63	BOLZEN F.KUPPELSTANGE Linkage pin	00730569	001		
64	Steckpuffer Plug-in buffer, curved	00754006	002		
65	STECK-PUFFER FLACH Plug-in buffer, flat	00754015	002		
	DRUCKFEDER F.LOKRADSATZ (o. Abb.) Pressure spring for loco wheelsset (w/o illustr.)	00764310	001		
	Fleischmann- Steckkupplung (Lok) (o. Abb.) Fleischmann plug-in coupling (loco) (w/o illustr.)	6510	---		
	STANDARD- Steckkupplung (o. Abb.) Fleischmann plug-in coupling (w/o illustration)	6511	---		
	PROFI-STECKKUPPLUNG (o. Abb.) Profi coupling (w/o illustration)	6515	---		
	ERSATZ-SCHLEIFKOHLEN Carbon brushes set	6519	---		
71	ERS.-GLUEHLAMPE KLAR M.STECKFA Replacement bulb, clear, with plug-in socket	00006535	008		