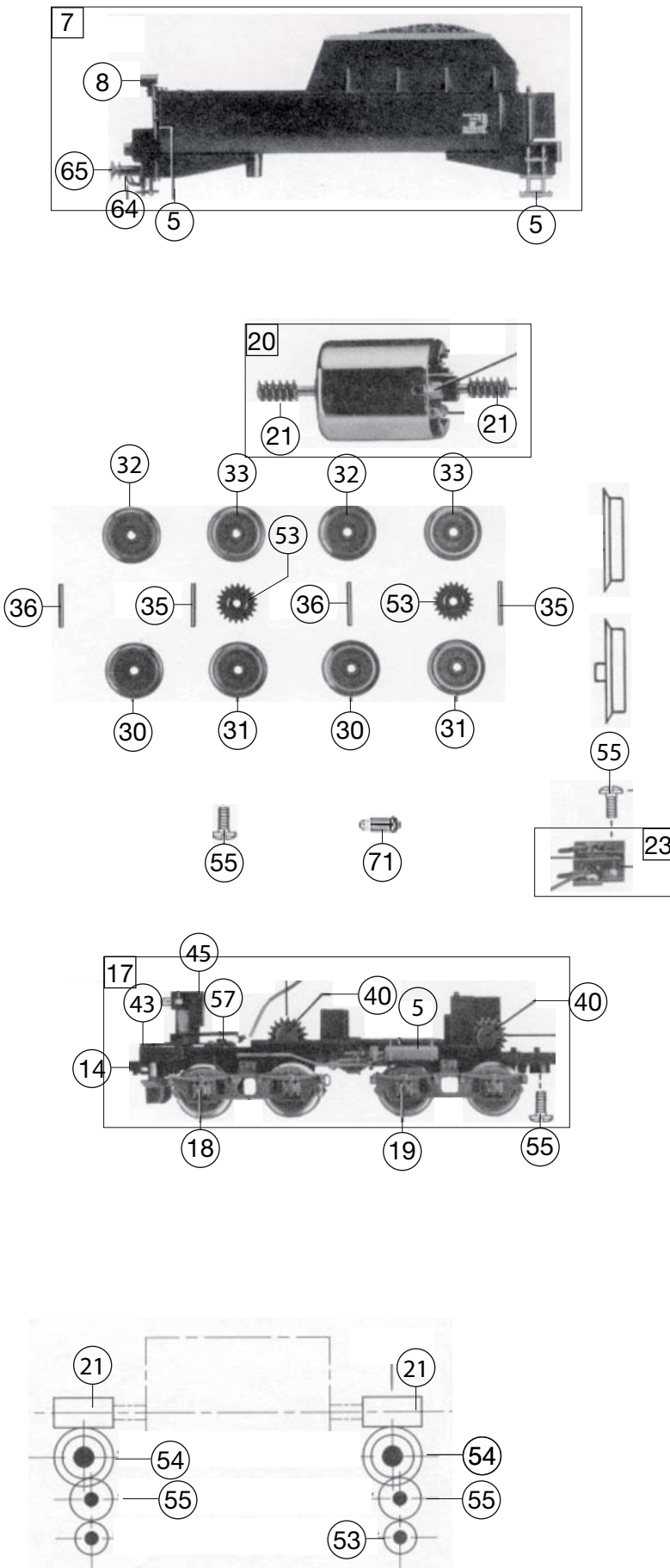


416201	BR 38 DB	383715	=	H0
Pos.-Nr. Pos.no.	Beschreibung Description	Art.-Nr. Art.no.	Preisgruppe Price bracket	
1	LOKESSEL KPL. Loco boiler complete w/o driver's cab	10416201	038	
2	FÜHRERHAUS KPL. Driver's cab complete	11416201	019	
4	FLUTLICHTLEITER -SATZ Light conductor set	13416201	011	
	BREMSSCHLAUCH F.BR 38 (o. Abb.) Brake hose pipe (w/o illustr.)	00194801	002	
6	KUPPLUNGSHAKEN Coupling hook	00194802	002	
	KUPPLUNGSHAKEN (o. Abb.) Coupling hook (w/o illustr.)	00194824	002	
7	TENDERGEHÄUSE KPL. Tender body complete	20416201	031	
5	KLEINTEILE F. TENDER Set of small parts for tender	00224162	012	
8	LICHTLEITER/TENDER 4162/76/79 Tender light conductor	00234179	009	
9	LOKFAHRGESTELL KPL. Loco chassis complete	30416201	043	
10	ABDECKPLATTE Cover plate (loco)	31416201	---	
11	STEUERUNG KPL. MIT VERBUNDSTAN Reversing gear complete with coupling rods	32416171	032	
12	ZYLINDERKASTEN F.BR 38 DB Cylinder l&r -set	33416171	012	
15	KUPPELLASCHE M.FEDERN /SATZ Coupling between loco and tender -set	00344162	012	
13	VORLAUFGESTELL F.BR 38 NEM Bogie (front), red	00374160	020	
14	KUKU-DEICHSEL F.1011/4011/4166 Short coupling reception, tender side	00384015	006	
16	DEICHSEL F.VORLAUFGEST.BR 38 Bogie shaft	00384160	012	
17	TENDERFAHRGESTELL O.MOT.F.4166 Tender chassis complete w/o motor	00404166	036	
18	DREHGEST.RAHMEN M.SCHIEN.RÄUME Tender bogie frame with rail guard	00414166	011	
19	DREHGESTELLRAHMEN TEN.VORNE Tender forward bogie frame	00414179	012	
20	MOTOR O.SCHWUNGMASSE F.4166 Motor w/o flywheel	00504166	024	
	MOTORHALTER F.4165 (o. Abb.) Motor retainer clip (w/o illustr.)	00504902	004	
23	MOTORHALTER M.KONTAKTEN F.4166 Motor retainer clip with contacts	00504909	015	
24	TREIBRAD O.Z.O.N.ROT F.P8 Driving wheel w/o gear, w/o traction tyre, red	00514184	007	
25	TREIBRAD O.Z.O.N.ISO.ROT F.P8 Driving wheel w/o gear, w/o traction tyre, insul.	00514185	007	
26	KUPPELRAD O.Z.O.N.ROT F.P8 Coupled wheel w/o gear, w/o traction tyre, red	00514186	006	
27	KUPPELRAD O.Z.O.N.ISO.ROT F.P8 Coupled wheel w/o gear, w/o traction tyre, insul.	00514187	007	
28	T.-U.VORLAUFRAD O.Z.O.N.ROT Tender&bogie wheel w/o gear, w/o trac. tyre	00514188	006	
29	T.-U.VORLAUFR. O.Z.O.N.ISO.ROT Tender&bogie wheel w/o gear, w/o trac. tyre, insul.	00514189	007	
30	T.RAD SCHEIBE O.Z.O.N.ISO.ROT Tender wheel w/o gear, w/o trac. tyre	00514356	007	
31	T.RAD SCHEIBE O.Z.M.N.ISO.ROT Tender wheel w/o gear, with trac. tyre, insul.	00514357	007	
32	T.RAD SCHEIBE O.Z.O.N.ROT Tender wheel w/o gear, with trac. tyre	00514358	007	
33	T.RAD SCHEIBE O.Z.M.N.ROT Tender wheel w/o gear, with trac. tyre, insul.	00514359	007	
36	ACHSE GERAENDELT 20 MM Milled axle	00524006	002	
35	ACHSE Axle	00524011	001	
	ACHSE F.DREHGEST.BEFESTIGUNG (o. Abb.) Axle for bogie fixation (w/o illustr.)	00527005	001	
37	HAFTREIFEN H0 Traction tyre H0	00544008	001	



416201	BR 38 DB	383715	=	H0
Pos. Nr. Pos.no.	Beschreibung Description		Art.-Nr. Art.no.	Preisgruppe Price bracket
53	MESSINGZAHNRAD Z:10 FÜR RS Brass gear wheel for wheelset		00564174	003
54	UNTERSETZUNGSRAD Z:19/10 Reduction gear wheel Z:19/10		00564175	006
55	ZAHNRAD Z:16 Gear wheel Z:16		00564176	006
21	SCHNECKE Worm gear wheel		00564606	005
47	DISTANZRING BRUENIERT Spacer ring		00564776	002
48	STROMABNEHMEREINSATZ (Lok) Loco power pick-up assembly		60416401	017
43	BELEUCHTUNGSABDECKUNG Light cover		00624179	006
45	LAMPENKONTAKTHALTER Lamp contact support (tender)		00631118	008
	KONDENSATOR (o. Abb.) Capacitor (w/o illustr.)		64420900	005
52	KONTAKTPILZGARNITUR L:11,5 MM Contacter pin assembly		00644403	011
	BUCHSENLEISTE 6-POL.F.SCHNITT. (o. Abb.) Connector interface, 6-pin (w/o illustr.)		00654073	014
	RADKONTAKT F.4166 TENDER (o. Abb.) Tender wheel contactor spring (w/o illustr.)		00654078	011
	SCHNITTST.-BLINDSTECKER 6-POL. (o. Abb.) Jumper, 6-pin (w/o illustr.)		00664002	013
55	ZYLINDERKOPFSCHRAUBE Cylinder head screw		00700403	001
56	SCHRAUBE Screw		00700405	001
	SCHRAUBE (o. Abb.) Screw (w/o illustr.)		00700406	001
59	SCHRAUBE Screw		00713713	001
57	SCHRAUBE Screw		00730003	001
58	LINSENSCHRAUBE Button type screw		00730005	001
60	ANSATZSCHRAUBE Flanged screw		00730008	002
63	BOLZEN F.KUPPELSTANGE Linkage pin		00730569	001
40	BUNDBOLZEN F. ZAHNRAD F.4166 Flanged boltfor gear wheel		00730560	003
			00730561	001
64	STECKPUFFER GEWÖLM.WEIß.RING Plug-in buffer, curved, with white ring		00754040	006
65	STECKPUFFER FLACH.M.WEIß.RING Plug-in buffer, flat, with white ring		00754041	006
	DRUCKFEDER F.LOKRADSATZ (o. Abb.) Pressure spring for loco wheelset (w/o illustr.)		00764310	001
70	ZUGFEDER F.LOK-TENDER KUKU P8 Spring for loco/tender coupling		00764101	006
	Fleischmann- Steckkupplung (Lok) (o. Abb.) Fleischmann plug-in coupling (loco) (w/o illustr.)		6509	---
	Fleischmann- Steckkupplung (Lok) (o. Abb.) Fleischmann plug-in coupling (loco) (w/o illustr.)		6510	---
	STANDARD- Steckkupplung (o. Abb.) Fleischmann plug-in coupling (w/o illustration)		6511	---
	PROFI-STECKKUPPLUNG (o. Abb.) Profi coupling (w/o illustration)		6515	---
71	ERS.-GLUEHLAMPE KLAR M.STECKFA Replacement bulb, clear, with plug-in socket		00006535	008