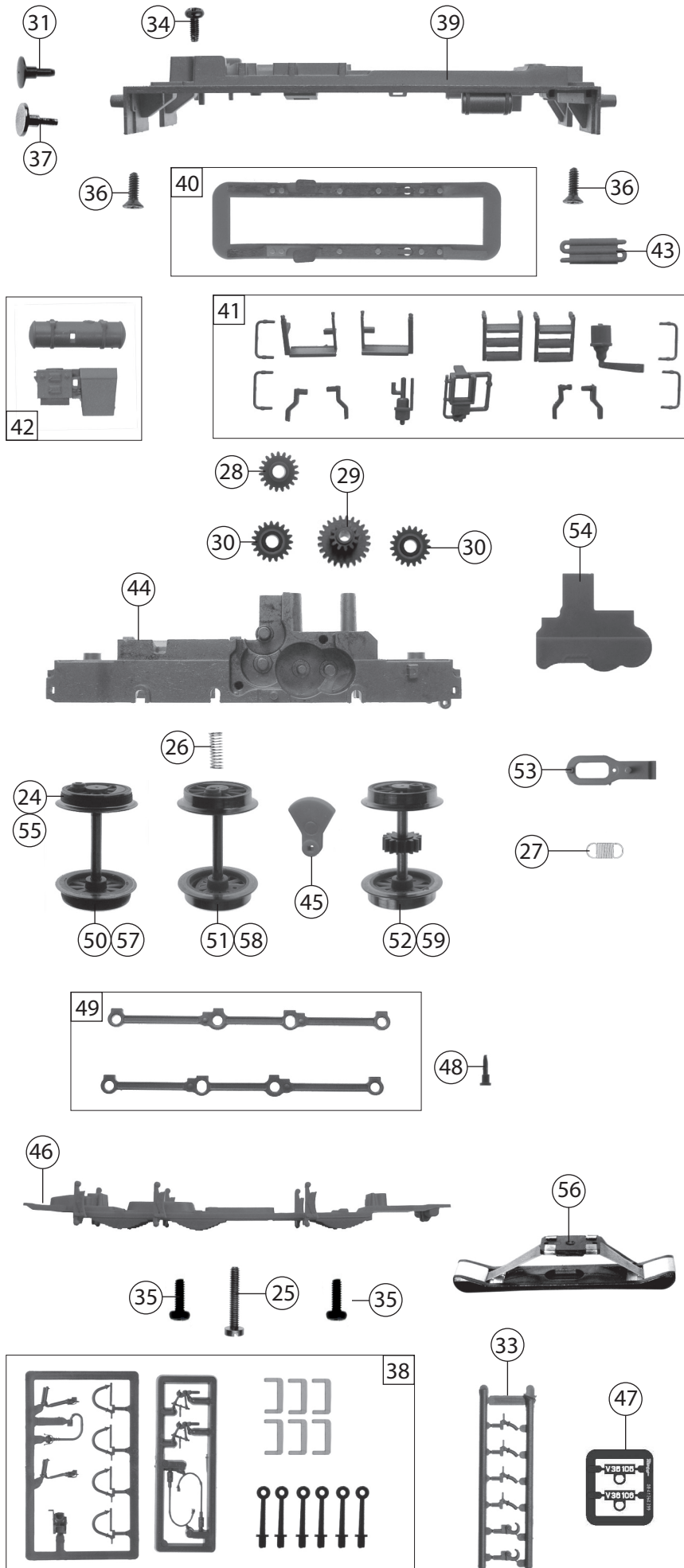


|        |     |    |        |   |   |    |
|--------|-----|----|--------|---|---|----|
| 421602 | V36 | DB | V36106 | = |   | H0 |
| 421682 | V36 | DB | V36106 | = | 🔊 | H0 |
| 391601 | V36 | DB | V36106 | ~ | 🔊 | H0 |

| Pos. Nr.<br>Pos.no.             | Beschreibung<br>Description                                | Art.-Nr.<br>Art.no. | Preisgruppe<br>Price bracket |
|---------------------------------|--|---------------------|------------------------------|
| 1                               | BRÜCKENSTECKER MIT KONDENSATOR<br>Jumper with capacitor    | 66401400            | 009                          |
| 2                               | LOKPFEIFE MESSING<br>Loco whistle brass                    | 19463400            | 006                          |
| 3                               | LOKFÜHRER<br>Loco driver                                   | 154216011           | 006                          |
| 4                               | GF-SCHRAUBE M2x8<br>GF-Screw M2x8                          | 70900016            | 003                          |
| 5                               | MOTOR M.SCHWUNGMASSE<br>Motor with flywheel                | 50421601            | 027                          |
| 6                               | WINDABWEISER<br>Wind deflector                             | 12421601            | 005                          |
| 7                               | Heizer<br>Fireman  | 154216012           | 006                          |
| 8                               | PLATINE KPL. M.LED-PLATINEN<br>PCB complete with led pcb   | 65418200            | 028                          |
| 9                               | FÜHRERHAUS KPL.<br>Driver's cab complete                   | 1142160221          | 020                          |
| 10                              | VORBAU KPL.<br>Body loco complete                          | 104216022           | 020                          |
| 11                              | GLOCKE<br>Bell   | 19450500            | 004                          |
| 12                              | TS-FENSTER<br>Part set window                              | 14421601            | 009                          |
| 13                              | ROHRLEITUNG LINKS U. RECHTS<br>Pipeline left a. right      | 19503200            | 009                          |
| 14                              | TS-LAMPEN U. LAMPENHALTER<br>Part set lamps a. lamp holder | 19492300            | 010                          |
| 15                              | TÜRGRIFFFSTANGE<br>Door handle bars                        | 19492400            | 005                          |
| 16                              | INNENEINRICHTUNG<br>Interior fittings                      | 1542160221          | 006                          |
| 17                              | TS-LINSEN<br>Part set lens                                 | 13421601            | 006                          |
| 18                              | LEITER O. SCHUTZBLECH<br>Ladder w/o mudguard               | 19503100            | 004                          |
| 19                              | TYPHON<br>Signal horn                                      | 19463500            | 003                          |
| 20                              | ÜBERGANGSBLECH<br>Transition plate                         | 19503300            | 005                          |
| 21                              | MODULHALTER<br>Modul holder                                | 68401500            | 005                          |
| abweichende Teile 421682_391601 |  |                     |                              |
| 22                              | DECODER<br>Decoder   | 68421682            | 039                          |
| 23                              | DOPPELSEITIGES KLEBEBAND<br>Double sided adhesive tape     | 56500200            | 003                          |



| Pos. Nr.<br>Pos.no. | Beschreibung<br>Description  | Art.-Nr.<br>Art.no. | Preisgruppe<br>Price bracket |
|---------------------|--|---------------------|------------------------------|
| 421602              | V36 DB V36106 =  |                     | H0                           |
| 421682              | V36 DB V36106 =  |                     | H0                           |
| 391601              | V36 DB V36106 ~  |                     | H0                           |
| 24                  | HAFTRINGSATZ 12,5X13,8 mm<br>Set with traction tieres 12,5x13,8 mm       | 54401500            | 002                          |
| 25                  | SCHRAUBE M 1,6X10<br>Screw M1,6x10                                       | 70900025            | 003                          |
| 26                  | DRUCKFEDER<br>Pressure spring  | 76433700            | 003                          |
| 27                  | ZUGFEDER<br>Draw Spring  | 76411700            | 003                          |
| 28                  | ZAHNRAD Z=19/14 M-0,4<br>Gear Z=19/14 M-0,4                              | 56420100            | 004                          |
| 29                  | ZAHNRAD Z=24/12 GERADE<br>Gear Z=24/12                                   | 56420200            | 004                          |
| 30                  | ZAHNRAD Z=19/0,4G<br>Gear Z=19/0,4g                                      | 56420300            | 003                          |
| 31                  | PUFFER RUND GEWÖLBT<br>Buffer round curved                               | 75406900            | 005                          |
| --                  | STECKKUPPLUNG (o. Abb.)<br>Clip-in coupling (w/o illustration)           | 6515                | ---                          |
| 33                  | ATTRAPPENRAHMEN<br>Dummy framework                                       | 19501100            | 004                          |
| 34                  | GF-SCHRAUBE M2x5 mm<br>GF-Screw M2x5                                     | 70900026            | 003                          |
| 35                  | GF-SCHRAUBE M 1,6x5mm<br>GF-Screw M 1,6x5 mm                             | 70900027            | 003                          |
| 36                  | SK-SCHRAUBE M 1,6x5 mm DIN 7500<br>SK-Screw M 1,6x5 DIN 7500             | 70900028            | 004                          |
| 37                  | PUFFER RUND FLACH<br>Buffer round flat                                   | 75407000            | 005                          |
| 38                  | ZURÜSTBEUTEL<br>Bag with accessories                                     | 194216022           | 013                          |
| 39                  | UMLAUF LACKIERT U. BEDRUCKT<br>Runningboard coated a. printed            | 154216022           | 016                          |
| 40                  | KONTAKTRAHMEN KPL.<br>Contact frame                                      | 604216022           | 008                          |
| 41                  | TS-UMLAUF<br>Part set running board                                      | 19502800            | 007                          |
| 42                  | DOFA OFEN U. TANK GROSS LANG LI.<br>Dofa kiln a. tank                    | 19503000            | 006                          |
| 43                  | KÜHLSCHLANGE<br>Cooling coil   | 19502900            | 004                          |
| 44                  | GRUNDFRAHMEN<br>Base frame   | 114216022           | 006                          |
| 45                  | BLINDWELLE<br>Blind shaft  | 51490500            | 009                          |
| 46                  | LOKBODEN<br>Loco floor   | 434216022           | 010                          |
| 47                  | SCHILDERSET<br>Number board set  | 19503400            | 010                          |
| 48                  | KUPPELBOLZEN<br>Coupling bolt  | 73059200            | 003                          |
| 49                  | KUPPELSTANGEN LINKS U. RECHTS<br>Connecting rod left a. right            | 32421601            | 011                          |
| 50                  | RADSATZ M. HAFTRING O. ZAHNRAD<br>Wheelset w. traction tyre without gear | 53431700            | 011                          |
| 51                  | RADSATZ O. HAFTRING O. ZAHNRAD<br>Wheelset without traction tyre/gear    | 53431800            | 010                          |
| 52                  | RADSATZ M. ZAHNRAD O. HAFTRING<br>Wheelset w. gear without traction tyre | 53431900            | 011                          |
| 53                  | KUPPLUNGSKAMMER<br>Coupling holder                                       | 38601400            | 003                          |
| 54                  | GETRIEBEBECKEL<br>Gear cover   | 454216022           | 005                          |
| AC-Wechselstrom     |  |                     |                              |
| 55                  | HAFTRINGSATZ 10,3-12,4 mm<br>Set w. traction tieres 10,3-12,4 mm         | 54401400            | 001                          |
| 56                  | SCHLEIFER 42mm<br>CENTER PICK-UP 42mm                                    | 69203000            | 014                          |
| 57                  | RADSATZ M. HAFTRING O. ZAHNRAD<br>Wheelset w. traction tyre without gear | 53432100            | 011                          |
| 58                  | RADSATZ O. HAFTRING O. ZAHNRAD<br>Wheelset w/o traction tyre w/o gear    | 53432200            | 010                          |
| 59                  | RADSATZ M. ZAHNRAD O. HAFTRING<br>Wheelset w. gear without traction tyre | 53432300            | 010                          |