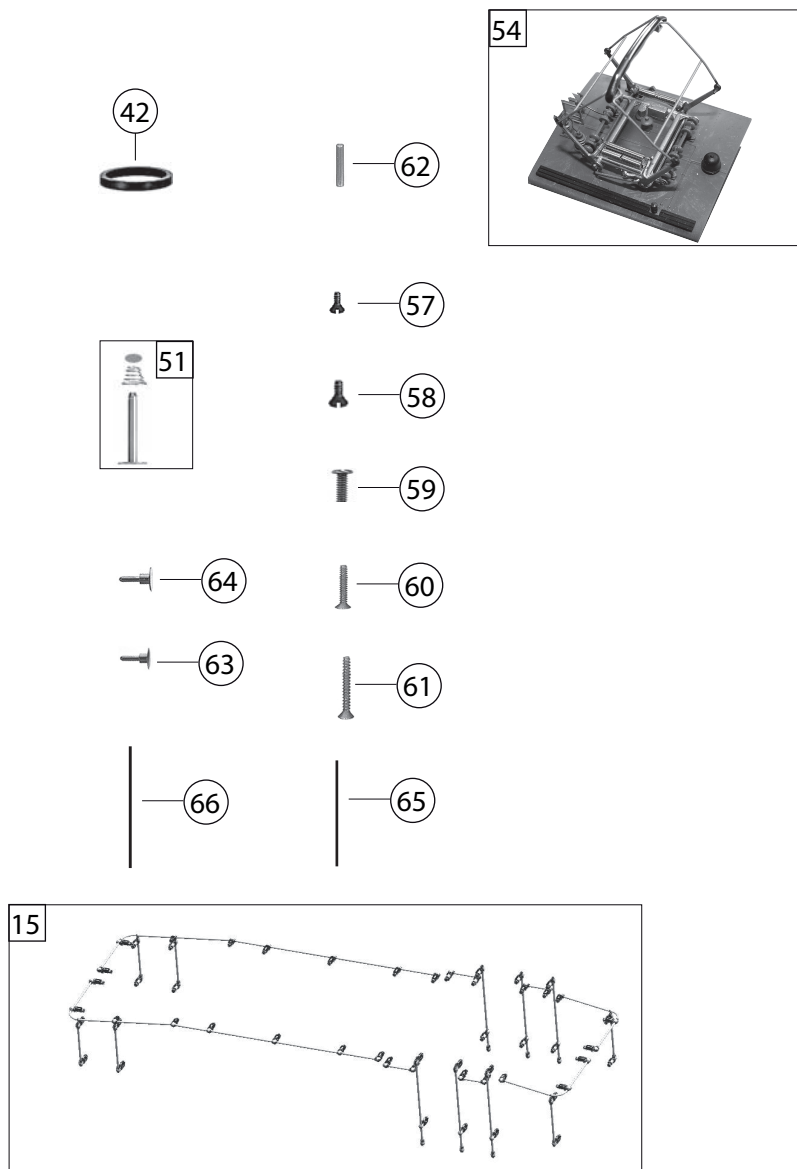


436077		=	🔊	H0
Pos. Nr. Pos.no.	Beschreibung Description	Art.-Nr. Art.no.	Preisgruppe Price bracket	
1	LOKGEHÄUSE KPL. Body assembly complete	10436001	34	
2	FÜHRERHAUSDACH VORMONT. LACK. Roof of driver's cab assy., painted	11436001	14	
3	UMLAUFBLECH Running board	114360011	21	
4	FÜHRERSTAND Driver's cab complete	12436001	---	
5	LICHTLEITER -SATZ Light conductor set	13436001	12	
6	FENSTERBLENDEN-SATZ Window set	14436001	11	
7	STIRNFENSTER, SCHEIBENWISCHER- Windshield wiper set	144360011	11	
8	BESCHWERUNG Ballast	16436001	7	
9	ISOLATOREN-SATZ Set of isolators	18436001	12	
10	Dachleitung-Überschlagrahmen Roof wiring, flashover frame	184360011	12	
11	SCHUTZBLECHSATZ Mudguard set	19436001	11	
	KLEINTEILE-SATZ (o. Abb.) Set of small parts (w/o illustr.)	194360011	11	
13	PFIFE Whistle	00194617	2	
14	KUPPLUNGSHAKEN Coupling hook	00194824	2	
15	GRIFSTANGENSATZ Set of handles	19492600	14	
	KLEINTEILESATZ FÜR GEHÄUSE (o. Abb.) Set of small parts for body (w/o illustr.)	19492700	14	
17	TRITT-SATZ Treadle set	19503500	14	
18	GLOCKE, DACHLAUFBRETT Bell, roof running board	19503600	9	
19	SCHALTRAD Switch-wheel	19503700	3	
20	SIGNALSTÜTZE Signal support	19503800	2	
21	LOKLATERNE Loco lamp	19503900	9	
22	FAHRGESTELL Chassis	30436001	---	
23	BREMSKUPPLUNG KURZ/LANG -SATZ Brake coupling short/long - set	31436001	---	
24	BREMSEHÄNGE Brake rigging	314360011	---	
25	KUKU-DEICHSEL VORNE Short coupling reception front side	00384028	7	
26	KUKU-DEICHSEL Short coupling reception rear side	38403300	6	
	DIGITALKUPPLUNG (o. Abb.) Digital coupling (w/o illustr.)	383981811	19	
28	KUPPELSTANGEN -SATZ Short coupling reception rear side	42436001	---	
29	DREHGESTELL KPL. Pony truck, complete	47436001	---	
30	MOTOR M.SCHW.F.4046 Motor with flywheel	00504046	29	
31	KOHLENHALTER Carbon brush holder	00507801	1	
32	MOTORHALTEBUEGEL Motor retainer clip	00507903	4	
33	TREIBRAD LI. Driving wheel, left	51447300	11	
	TREIBRAD RE. (o. Abb.) Driving wheel, right (w/o illustr.)	51447400	11	
35	KUPPELRAD LINKS Coupled wheel, left	51447500	9	
	KUPPELRAD RECHTS (o. Abb.) Coupled wheel, right (w/o illustr.)	51447600	9	
37	BLINDWELLENKURBEL Jackshaft crank	51447700	8	



436077		=	🔊	H0
Pos. Nr. Pos.no.	Beschreibung Description	Art.-Nr. Art.no.	Preisgruppe Price bracket	
	BLINDWELLENKURBEL RECHTS (o. Abb.) Jackshaft crank (w/o illustr.)	51447800	8	
39	ACHSE Axle	00527008	1	
40	ACHSE Axle	00524011	1	
41	LAUFRADESATZ KPL. Carrying wheelset, complete	53432400	---	
42	HAFTREIFEN H0 Traction tyre H0	00544006	1	
43	ZAHNRAD M. RATSCHRING Z:28 Gear wheel with ratchet ring Z=28	00564178	5	
	UNTERSETZUNGSRAD Z:18/24 (o. Abb.) Reduction gear wheel Z:18/24 (w/o illustr.)	00564179	6	
	ZAHNRAD M.FED. F.4046 (o. Abb.) Gear wheel with spring (w/o illustr.)	00564185	5	
46	SCHNECKE D = 4MM L = 7MM Worm gear D = 4MM L = 7MM	00567605	6	
47	ABDECKPLATTE MIT RADKONT Cover plate with wheel contacts	60436001	---	
48	MOTORKONTAKTFEDER LI Motor contact spring, left	61498500	---	
49	MOTORKONTAKTFEDER RE Motor contact spring, right	61498600	---	
50	LICHTKONTAKT Light contact	61498700	---	
51	KONTAKTPLZGARNITUR Contacter pin assy	64441900	---	
52	LEITERPLATTE PCB	65418400	---	
53	LEITERPLATTE KPL. PCB, complete	65418500	---	
54	DACHSTROMABNEHMER Pantograph	67433800	18	
	SOUND-DECODER (o. Abb.) Sound decoder (w/o illustr.)	68396071	39	
	LAUTSPRECHER (o. Abb.) Loudspeaker (w/o illustr.)	68400400	16	
57	Senkschraube M1,6x4 DIN7500 RO Countersunk screw M 1.6 X 4 DIN7500	70900007	2	
58	SK-Schraube M2x5 DIN7500 EK/SW Countersunk screw M 2 X 5 DIN7500, black	70900009	1	
59	GF-Schraube M2x5 DIN7500 SW Self-cutting screw M2x5 DIN7500, black	70900011	3	
60	SENKKOPFBLECHSCHRAUBE B 2,2 x Countersunk tapping screw B 2.2	70900030	3	
61	SENKKOPFBLECHSCHRAUBE KREUZSCH Countersunk philipps screw	00712509	1	
62	ZYLINDERSTIFT 2 X 10 Cylinder pin 2x10	00730538	1	
63	Steckpuffer Plug-in buffer, curved	00754006	2	
64	STECK-PUFFER FLACH Plug-in buffer, flat	00754015	2	
65	RICHTFEDER Straigthening spring	00764020	2	
66	RICHTFEDER F.4122 Straigthening spring F.4122	00764021	2	
67	ANDRUCKFEDER F.RADSATZ Pressure spring for wheelset	00764328	1	
68	DECHSELFEDER Pony truck spring	76433800	3	
69	STECKKUPPLUNG (o. Abb.) Clip-in Fleischmann coupling (w/o illustration)	6510	---	
70	STECK-TAUSCHKUPPLUNG (o. Abb.) Clip-in standard coupling (w/o illustration)	6511	---	
71	PROFI-STECKKUPPLUNG (o. Abb.) Profi plug-in coupling (w/o illustr.)	6515	---	
72	ERSATZ-SCHLEIFKOHLEN (o. Abb.) Carbon brushes set (w/o illustr.)	6518	---	

