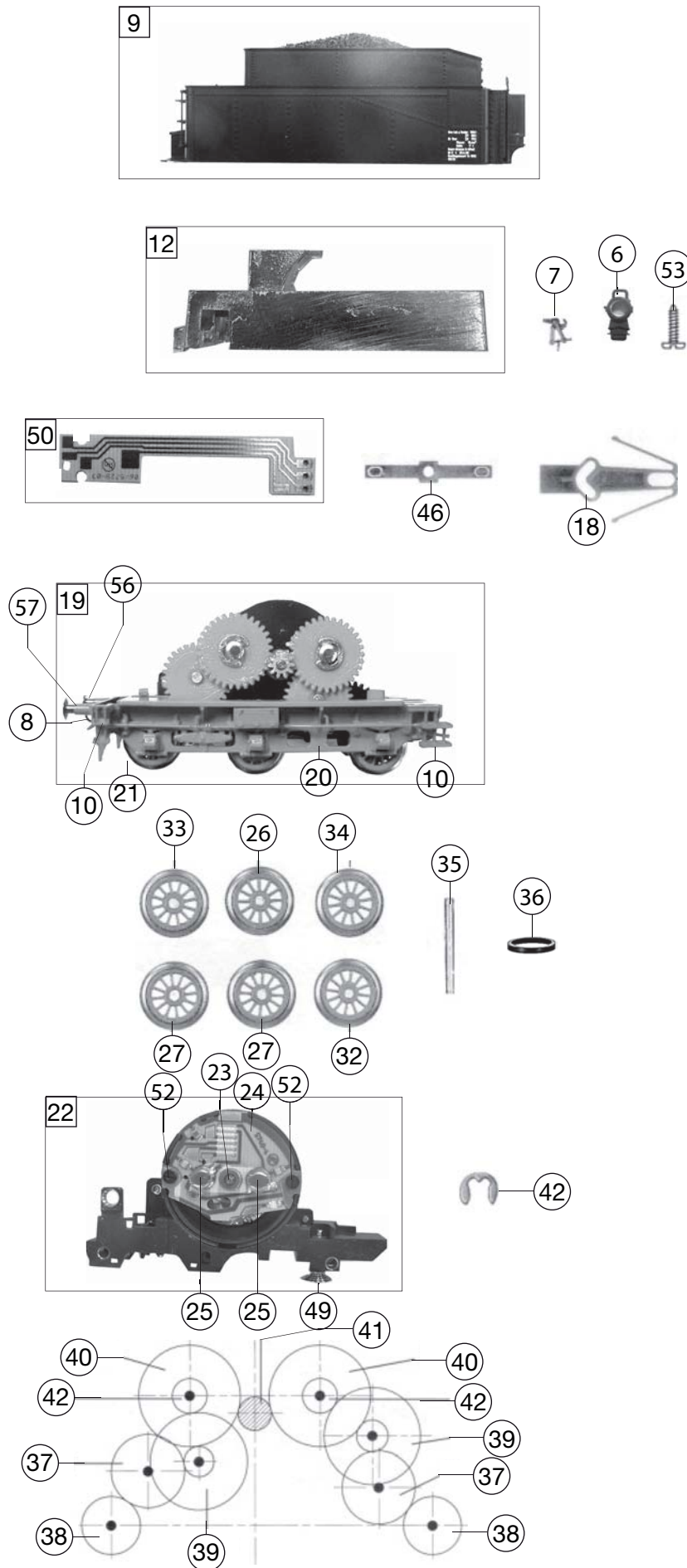


481304		BR55	553376	DRG	=	HO
Pos. Nr. Pos.no.	Beschreibung Description	Art.-Nr. Art.no.	Preisgruppe Price bracket			
1	LOKGEHAEUSE KPL. Loco boiler complete w/o driver's cab	10481304	034			
2	FUEHRERHAUS KPL. Driver's cab complete	11481304	018			
3	LICHTLEITER LOK+Tender /SATZ Light conductor set (loco&tender)	13415401	004			
4	UMLAUFBLECH F.74153 DB Running board	15481304	018			
5	PFEIFE Whistle	00194607	004			
6	REICHSBAHNLATERNE VORN+hinten BUNDESBahn lamp, front+rear	00194804	008			
7	KUPPLUNGSHAKEN Coupling hook	00194824	002			
8	BREMSSCHLAUCH Air hose pipe	00194831	002			
9	TENDERGEHAEUSE kpl. Tender body complete	20481304	---			
10	TREPPEN F.TENDER /S. Treadles for tender -set	22481304	---			
	GRIFFFSTANGEN-SATZ Handrail -set	19490600	011			
12	TENDERBESCHWERUNG Tender ballast	26415401	---			
13	LOKFAHRGESTELL KPL.(OHNE DIGI Loco chassis complete, w/o digital	30481304	---			
14	ABDECKPLATTE M.BREMSATRAPPEN Bottom cover plate (loco)	31481304	---			
15	STEUERUNG KPL. Reversing gear complete	32481304	---			
16	ZYLINDERKASTEN Cylinder l&r -set	33481304	---			
17	LOK-TENDERKUPPLUNG-SATZ Coupling between loco and tender -set	00344139	009			
18	KUKU-DEICHSEL (Lok+Tender) Short coupling reception (loco&tender)	38405100	---			
19	TENDERFAHRGEST.KPL. Tender chassis complete, without motor	40481304	---			
20	TENDERBODENRAHMEN KPL. Tender framework complete	41481304	---			
21	BREMSGESTAENGETRAEGER Brake rigging support	43481304	---			
22	MOTOR MIT FAHRGESTELL Motor complete with flywheel	50415401	---			
23	ANKER KPL.M.SCHWUNGMASSE Rotor complete with integr. flywheel	00504607	025			
24	LAGERSCHILD ISOL. M. SCHNITTST. Motor PCB, insulated, with interface	00504737	020			
25	KOEHLENROHRKAPPE Brush pipe cap	00504801	002			
26	T.-U.VORLAUFRAD O.Z.O.N.ROT Tender&bogie wheel w/o gear, w/o trac. tyre	00514188	006			
27	T.-U.VORLAUFR.O.Z.O.N.ISO.ROT Tender&bogie wheel w/o gear, w/o trac. tyre, insul.	00514189	007			
28	KUPPELRAD LINKS Left coupled wheel	00514263	007			
29	KUPPELRAD RECHTS ISOL.BR55/56 Right coupled wheel, insulated	00514265	008			
30	TREIBRAD LINKS BR 55 Left driving wheel	00514315	008			
31	TREIBRAD RECHTS ISOL. BR 55 Right driving wheel, insulated	00514316	008			
32	TENDERRAD O.Z.M.N.ISO.ROT Tender wheel w/o gear, with trac. tyre, insul.	00514378	009			
33	TENDERRAD O.Z.M.N.ROT Tender wheel w/o gear, with trac. tyre, red	00514379	009			
34	T-RAD O.Z.O.N.ROT F.74153 Tender wheel w/o gear, w/o trac. tyre, red	00514380	007			
35	ACHSE Axle	00524011	001			
36	HAFTREIFEN HO Traction tyre	00544007	001			
37	ZAHNRAD Z:22 SCHWARZ Gear wheel Z:22, black	00564125	002			



481304		BR55	553376	DRG	=	H0
Pos. Nr. Pos.no.	Beschreibung Description		Art.-Nr. Art.no.	Preisgruppe Price bracket		
38	ZAHNRAD SCHWARZ Gear wheel; black		00564146	007		
39	UNTERSETZUNGSRAD Z:30/10 ROT Reduction gear wheel		00564151	005		
40	UNTERSETZUNGSRAD Z:32/11 ROT Reduction gear wheel		00564152	005		
41	RITZEL Z:10 Gear wheel Z:10		00564602	004		
42	SICHERUNGSRING GROSS Securing ring, big		00564702	001		
	UNTERLEGSCH. ROT 2,2X5X0,3 (o. Abb.) Washer 2.2 X 5 X 0.3, red (w/o illustr.)		00564751	001		
45	STROMABNEHMEREINS. (Lok) Loco power pick-up assembly		60481304	---		
46	KONTAKTFEDER (TENDER BR 55) Contact spring (tender)		00614946	001		
	LEITERPLATTE (TENDERBELEUCH (o. Abb.) Tender light PCB (w/o illustr.)		65717400	---		
48	ENTSTOERDROSSEL (o. Abb.) Suppressor choke (w/o illustr.)		00644101	007		
49	KONTAKTPILZGARNITUR Contacter pin assembly		64441800	---		
50	LEITERPLATTE PCB		65717300	---		
51	SCHRAUBE Screw		00700307	001		
52	SCHRAUBE Screw		00700313	001		
53	SCHRAUBE Screw		00713513	001		
54	SCHRAUBE Screw		00713516	001		
55	GEST.BOLZEN KURZ Linkage pin, short		00730552	002		
56	STECKPUFF.GEWUELBT Plug-in shank buffer, curved		00754006	002		
57	STECKPUFFER FLACH Plug-in shank buffer, flat		00754015	002		
58	PUFFERBOHLE KPL. Frontside framework, complete		75481304	---		
	Fleischmann- Steckkupplung (Lok) (o. Abb.) Fleischmann plug-in coupling (loco) (w/o illustr.)		6510	---		
	STANDARD- Steckkupplung (o. Abb.) Fleischmann plug-in coupling (w/o illustration)		6511	---		
	PROFI-STECKKUPPLUNG (o. Abb.) Profi coupling (w/o illustration)		6515	---		
	ERSATZ-SCHLEIFKOHLEN (o. Abb.) Carbon brushes set (w/o illustration)		6519	---		
	LUFTKESSEL (o. Abb.) Air tank (w/o illustration)		19490900	003		
	BREMSZYLINDER (o. Abb.) Brake cylinder (w/o illustration)		19491000	003		
	SCHNITTST.-BLINDSTECKER 6-POL. (o. Abb.) Jumper, 6-pin (w/o illustration)		00664005	013		