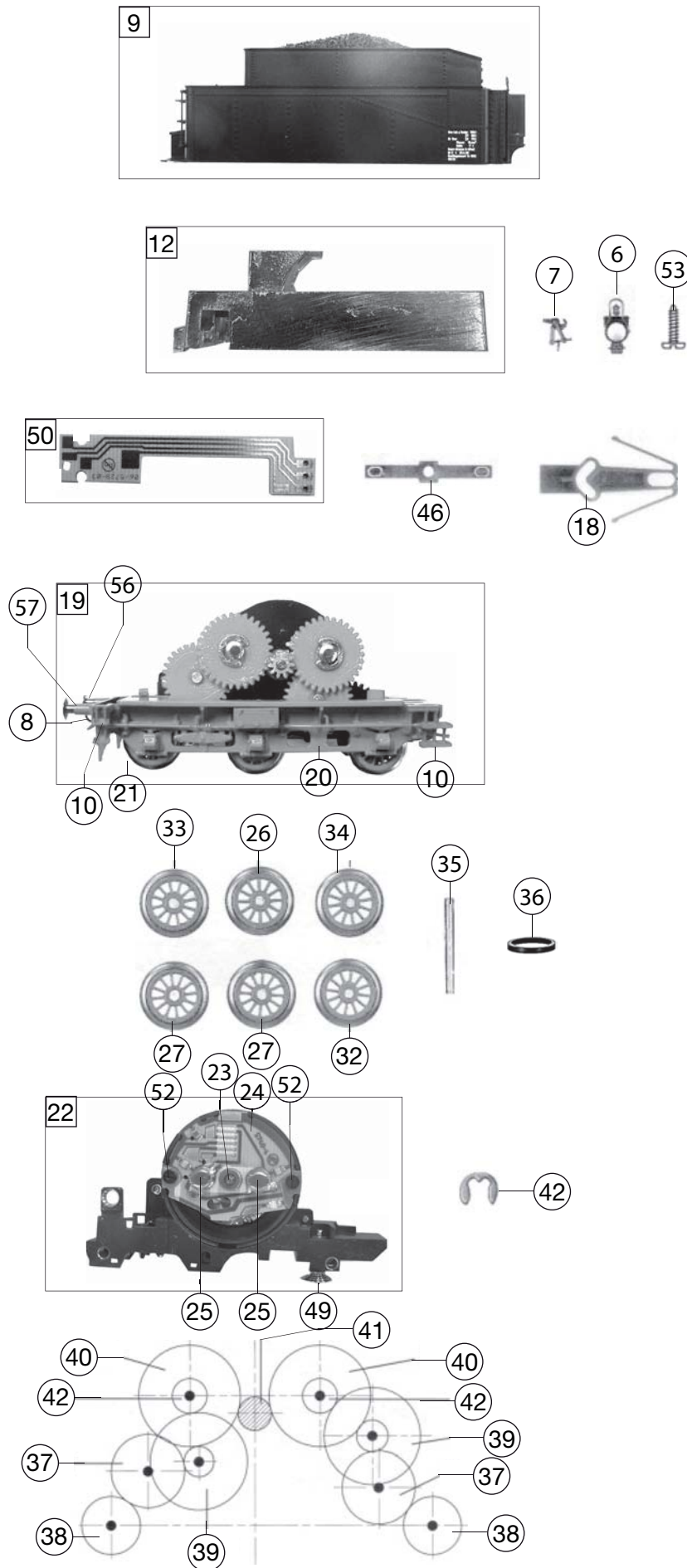


Pos. Nr. Pos.no.	Beschreibung Description	Art.-Nr. Art.no.	Preisgruppe Price bracket
1	LOKGEHAEUSE KPL. Loco boiler complete w/o driver's cab	10481304	34
2	FUEHRERHAUS KPL. Driver's cab complete	11481304	18
3	LICHTLEITER LOK + TENDER /SATZ Light conductor set (loco&tender)	13415401	4
4	UMLAUFBLECH F.74153 DB Running board	15481304	18
5	PFEIFE Whistle	00194607	004
6	REICHSBAHNLATERNE VORN REICHSBAHN lamp, front	00194804	008
7	KUPPLUNGSHAKEN Coupling hook	00194824	002
8	BREMSSCHLAUCH Air hose pipe	00194831	2
9	TENDERGEHAEUSE Tender body complete	20481304	---
10	TREPPEN F.TENDER /S. Treadles for tender -set	22481304	---
	GRIFSTANGEN-SATZ Handrail -set	19490600	---
12	TENDERBESCHWERUNG Tender ballast	26415401	---
13	LOKFAHRGESTELL KPL.(OHNE DIGI Loco chassis complete, w/o digital	30481304	---
14	ABDECKPLATTE M.BREMSATRAPPEN Bottom cover plate (loco)	31481304	---
15	STEUERUNG KPL. Reversing gear complete	32481304	---
16	ZYLINDERKASTEN Cylinder l&r -set	33481304	---
17	LOK-TENDERKUPPLUNG-SATZ Coupling between loco and tender -set	34415471	---
18	KUKU-DEICHSEL (Lok+Tender) Short coupling reception (loco&tender)	38405100	---
19	TENDERFAHRGEST.KPL. Tender chassis complete, without motor	40481374	---
20	TENDERBODENRAHMEN KPL. Tender framework complete	41481304	---
21	BREMSGESTAENGETRAEGER Brake rigging support	43481304	---
22	MOTOR KPL.M.SCHWUNGMASSE 74153 Motor complete with flywheel	05041531	034
23	ANKER KPL.M.SCHWUNGMASSE Rotor complete with integr. flywheel	00504607	025
24	LAGERSCHILD ISOL. Motor PCB, insulated	00504742	018
25	KOEHLENROHRKAPPE Brush pipe cap	00504801	002
26	T.-U.VORLAUF- O.Z.O.N.ROT Tender&bogie wheel w/o gear, w/o trac. tyre	00514188	---
27	T.-U.VORLAUF- O.Z.O.N.ISO.ROT Tender&bogie wheel w/o gear, w/o trac. tyre, insul.	00514189	---
28	LOKRAD N.H.KL.BOHRG.ROT Left coupled wheel	00514263	---
29	LOKRAD N.H.GR.BOHRG.ROT Right coupled wheel, insulated	00514265	---
30	LOKRAD H.H.KL.BOHRUNG ROT Left driving wheel	00514315	---
31	LOKRAD H.H.KL.BOHRUNG ROT Right driving wheel, insulated	00514316	---
32	VORL.- U.TENDERRAD O.N. ROT Tender wheel w/o gear, with trac. tyre, insul.	00514378	---
33	VORLAUF- U. TENDERRAD ROT Tender wheel w/o gear, with trac. tyre, red	00514379	---
34	TENDERRAD M.N. ROT LACK. Tender wheel w/o gear, w/o trac. tyre, red	00514380	---
35	ACHSE Axle	00524011	001
36	HAFTREIFEN HO Traction tyre	00544007	001
37	ZAHNRAD Z:22 SCHWARZ Gear wheel Z:22, black	00564125	002



481374		BR55	553376	DRG	🔊	=	HO
Pos. Nr. Pos.no.	Beschreibung Description		Art.-Nr. Art.no.	Preisgruppe Price bracket			
38	ZAHNRAD SCHWARZ Gear wheel; black		00564146	007			
39	UNTERSETZUNGSRAD Reduction gear wheel		00564151	005			
40	UNTERSETZUNGSRAD Reduction gear wheel		00564152	005			
41	RITZEL Z:10 Gear wheel Z:10		00564602	004			
42	SICHERUNGSRING GROSS Securing ring, big		00564702	001			
	UNTERLEGSCH. ROT 2,2X5X0,3 (o. Abb.) Washer 2.2 X 5 X 0.3, red (w/o illustr.)		00564751	001			
45	STROMABNEHMEREINS. (Lok) Loco power pick-up assembly		60481304	---			
46	KONTAKTFEDER (TENDER BR 55) Contact spring (tender)		00614946	001			
	LEITERPLATTE (TENDERBELEUCH (o. Abb.) Tender light PCB (w/o illustr.)		65717400	---			
48	ENTSTOERDROSSEL (o. Abb.) Suppressor choke (w/o illustr.)		00644101	007			
49	KONTAKTPILZGARNITUR Contacter pin assembly		64441800	---			
50	LEITERPLATTE PCB		65717300	---			
51	SCHRAUBE Screw		00700307	001			
52	SCHRAUBE Screw		00700313	001			
53	SCHRAUBE Screw		00713513	001			
54	SCHRAUBE Screw		00713516	001			
55	GEST.BOLZEN KURZ Linkage pin, short		00730552	002			
56	STECKPUFF.GEWUELBT Plug-in shank buffer, curved		00754006	002			
57	STECKPUFFER FLACH Plug-in shank buffer, flat		00754015	002			
58	PUFFERBOHLE KPL. Frontside framework, complete		75481304	---			
	Fleischmann- Steckkupplung (Lok) (o. Abb.) Fleischmann plug-in coupling (loco) (w/o illust.)		6510	---			
	STANDARD- Steckkupplung (o. Abb.) Fleischmann plug-in coupling (w/o illustration)		6511	---			
	PROFI-STECKKUPPLUNG (o. Abb.) Profi coupling (w/o illustration)		6515	---			
	ERSATZ-SCHLEIFKOHLEN (o. Abb.) Carbon brushes set (w/o illustration)		6519	---			
	LUFTKESSEL (o. Abb.) Air tank (w/o illustration)		19490900	---			
	BREMSZYLINDER (o. Abb.) Brake cylinder (w/o illustration)		19491000	---			
	Digitalkupplung (hinten) (o. Abb.) Digital coupling (rear) (w/o illustr.)		38415471	---			
59	Digitalkupplung (vorne) Digital coupling (front)		384154711	---			
60	LEITERPLATTE KPL. PCB complete		65715800	022			
	LAUTSPRECHER (o. Abb.) Loudspeaker (w/o illustr.)		68400400	016			
	HALTEBÜGEL FÜR LAUTSPRECHER (o. Abb.) Loudspeaker retainer clip (w/o illustr.)		68400600	005			
	LAUTSPRECHERAUFNAHME (o. Abb.) Loudspeaker reception (w/o illustr.)		68400900	---			
	SOUND-DECODER (o. Abb.) Sound-decoder (w/o illustr.)		68415471	---			