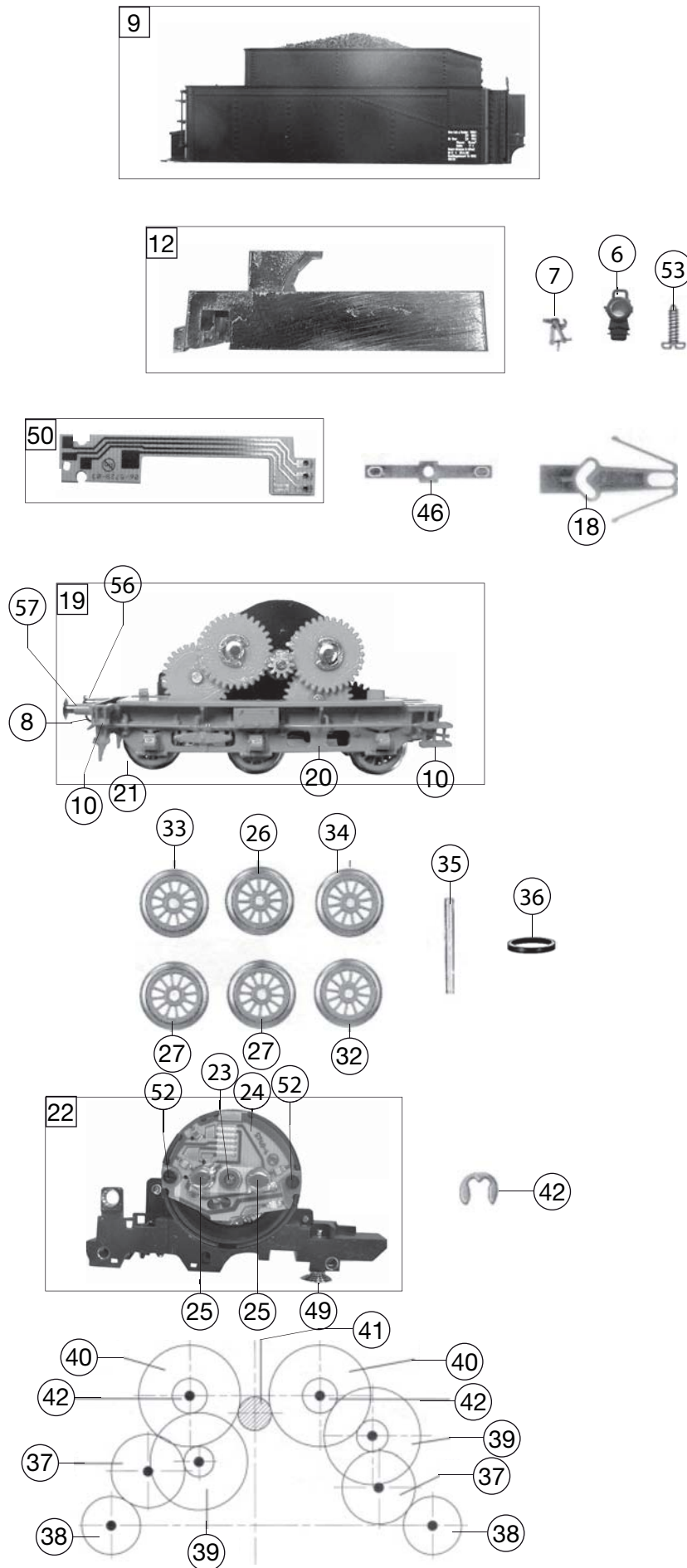


Pos. Nr. Pos. no.	Beschreibung Description	Art.-Nr. Art. no.	Preisgruppe Price bracket
1	LOKGEHAEUSE KPL. Loco boiler complete w/o driver's cab	10481305	---
2	FUEHRERHAUS KPL. Driver's cab complete	11481305	---
3	LICHTLEITER LOK + TENDER /SATZ Light conductor set (loco&tender)	13481305	---
4	UMLAUFBLECH F.74153 DB Running board	15481305	---
5	PFEIFE Whistle	00194607	004
6	Bundesbahnlaterne VORN+hinten BUNDESBahn lamp, front+rear	00194811	008
7	KUPPLUNGSHAKEN Coupling hook	00194824	002
8	BREMSSCHLAUCH Air hose pipe	00194831	2
9	TENDERGEHAEUSE Tender body complete	20481305	---
10	TREPPEN F.TENDER /S. Treadles for tender -set	22481304	---
	GRIFSTANGEN-SATZ Handrail -set	19490600	---
12	TENDERBESCHWERUNG Tender ballast	26415401	---
13	LOKFAHRGESTELL KPL.(OHNE DIGI Loco chassis complete, w/o digital	30481305	---
14	ABDECKPLATTE M.BREMSATRAPPEN Bottom cover plate (loco)	31481304	---
15	STEUERUNG KPL. Reversing gear complete	32481304	---
16	ZYLINDERKASTEN Cylinder l&r -set	33481304	---
17	LOK-TENDERKUPPLUNG-SATZ Coupling between loco and tender -set	34415471	---
18	KUKU-DEICHSEL (Lok+Tender) Short coupling reception (loco&tender)	38405100	---
19	TENDERFAHRGEST.KPL. Tender chassis complete, without motor	40481375	---
20	TENDERBODENRAHMEN KPL. Tender framework complete	41481305	---
21	BREMSGESTAENGETRAEGER Brake rigging support	43481304	---
22	MOTOR KPL.M.SCHWUNGMASSE 74153 Motor complete with flywheel	05041531	034
23	ANKER KPL.M.SCHWUNGMASSE Rotor complete with integr. flywheel	00504607	025
24	LAGERSCHILD ISOL. Motor PCB, insulated	00504742	018
25	KOEHLENROHRKAPPE Brush pipe cap	00504801	002
26	T.-U.VORLAUFRAD O.Z.O.N.ROT Tender&bogie wheel w/o gear, w/o trac. tyre	00514188	---
27	T.-U.VORLAUFR.O.Z.O.N.ISO.ROT Tender&bogie wheel w/o gear, w/o trac. tyre, insul.	00514189	---
28	LOKRAD N.H.KL.BOHRG.ROT Left coupled wheel	00514263	---
29	LOKRAD N.H.GR.BOHRG.ROT Right coupled wheel, insulated	00514265	---
30	LOKRAD H.H.KL.BOHRUNG ROT Left driving wheel	00514315	---
31	LOKRAD H.H.KL.BOHRUNG ROT Right driving wheel, insulated	00514316	---
32	VORL.- U.TENDERRAD O.N. ROT Tender wheel w/o gear, with trac. tyre, insul.	00514378	---
33	VORLAUF- U. TENDERRAD ROT Tender wheel w/o gear, with trac. tyre, red	00514379	---
34	TENDERRAD M.N. ROT LACK. Tender wheel w/o gear, w/o trac. tyre, red	00514380	---
35	ACHSE Axle	00524011	001
36	HAFTREIFEN HO Traction tyre	00544007	001
37	ZAHNRAD Z:22 SCHWARZ Gear wheel Z:22, black	00564125	002



Pos. Nr. Pos. no.	Beschreibung Description	Art.-Nr. Art. no.	Preisgruppe Price bracket
38	ZAHNRAD SCHWARZ Gear wheel; black	00564146	007
39	UNTERSETZUNGSRAD Reduction gear wheel	00564151	005
40	UNTERSETZUNGSRAD Reduction gear wheel	00564152	005
41	RITZEL Z:10 Gear wheel Z:10	00564602	004
42	SICHERUNGSRING GROSS Securing ring, big	00564702	001
	UNTERLEGSCH. ROT 2,2X5X0,3 (o. Abb.) Washer 2.2 X 5 X 0.3, red (w/o illustr.)	00564751	001
45	STROMABNEHMEREINS. (Lok) Loco power pick-up assembly	60481304	---
46	KONTAKTFEDER (TENDER BR 55) Contact spring (tender)	00614946	001
	LEITERPLATTE (TENDERBELEUCH (o. Abb.) Tender light PCB (w/o illustr.)	65717400	---
48	ENTSTOERDROSSEL (o. Abb.) Suppressor choke (w/o illustr.)	00644101	007
49	KONTAKTPILZGARNITUR Contacter pin assembly	64441800	---
50	LEITERPLATTE PCB	65717300	---
51	SCHRAUBE Screw	00700307	001
52	SCHRAUBE Screw	00700313	001
53	SCHRAUBE Screw	00713513	001
54	SCHRAUBE Screw	00713516	001
55	GEST.BOLZEN KURZ Linkage pin, short	00730552	002
56	STECKPUFF.GEWUELBT Plug-in shank buffer, curved	00754006	002
57	STECKPUFFER FLACH Plug-in shank buffer, flat	00754015	002
58	PUFFERBOHLE KPL. Frontside framework, complete	75481305	---
	Fleischmann- Steckkupplung (Lok) (o. Abb.) Fleischmann plug-in coupling (loco) (w/o illust.)	6510	---
	STANDARD- Steckkupplung (o. Abb.) Fleischmann plug-in coupling (w/o illustration)	6511	---
	PROFI-STECKKUPPLUNG (o. Abb.) Profi coupling (w/o illustration)	6515	---
	ERSATZ-SCHLEIFKOHLEN (o. Abb.) Carbon brushes set (w/o illustration)	6519	---
	LUFTKESSEL (o. Abb.) Air tank (w/o illustration)	19490900	---
	BREMSZYLINDER (o. Abb.) Brake cylinder (w/o illustration)	19491000	---
	Digitalkupplung (hinten) (o. Abb.) Digital coupling (rear) (w/o illustr.)	38415471	---
59	Digitalkupplung (vorne) Digital coupling (front)	384154711	---
60	LEITERPLATTE KPL. PCB complete	65715800	022
	LAUTSPRECHER (o. Abb.) Loudspeaker (w/o illustr.)	68400400	016
	HALTEBÜGEL FÜR LAUTSPRECHER (o. Abb.) Loudspeaker retainer clip (w/o illustr.)	68400600	005
	LAUTSPRECHERAUFNAHME (o. Abb.) Loudspeaker reception (w/o illustr.)	68400900	---
	SOUND-DECODER (o. Abb.) Sound-decoder (w/o illustr.)	68415471	---