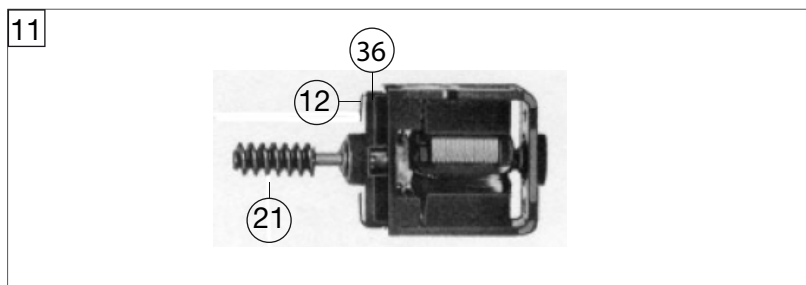
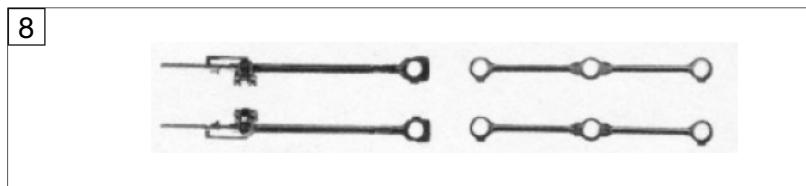
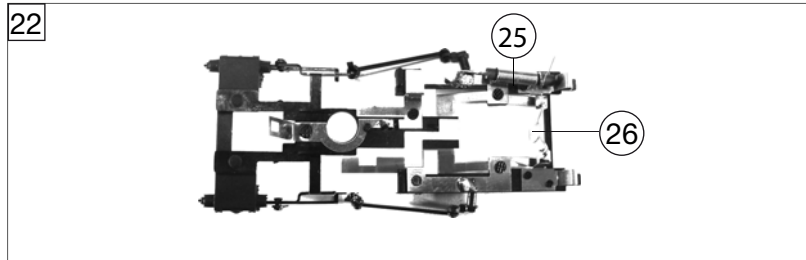
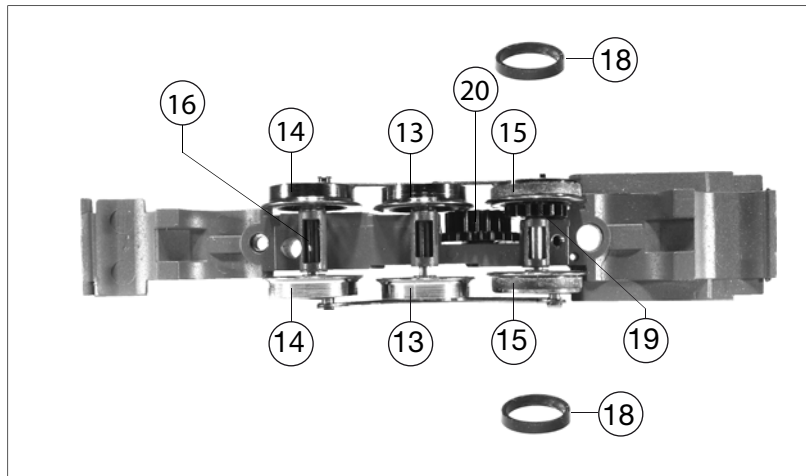
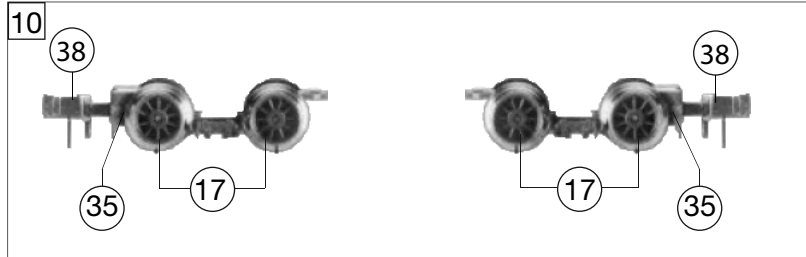


| 707801 T18.1 KPEV | | = | N |
|---------------------|---|---------------------|------------------------------|
| Pos. Nr. Pos.no. | Beschreibung Description | Art.-Nr. Art.no. | Preisgruppe Price bracket |
| 1 | LOKGEHÄUSE KPL. Body assembly complete | 10707801 | 034 |
| 2 | LICHTLEITER-SATZ light conductor set | 00137075 | 011 |
| 3 | BESCHWERUNG ballast | 00167079 | 017 |
| 4 | GLOCKE bell | 00197502 | 004 |
| 5 | PFEIFE whistle | 00197605 | 004 |
| 6 | LOKFAHRGESTELL KPL. BR78 T18 Loco chassis complete | 40707801 | 040 |
| 7 | LOKFAHRGESTELL M.RAEDERN chassis with gear set and wheels | 41707801 | 034 |
| 8 | KREUZKÖPFE MIT VERBUNDSTANGEN cross head with coupling rod | 42707801 | 019 |
| 9 | DECKPLATTE UNTEN cover plate bottom side | 43707801 | 007 |
| 10 | VORLAUFGESTELL BR 78 set of carrying wheels | 47707801 | 019 |
| 11 | MOTOR O.SCHW.M.MASSEKONTAKT Motor w/0 flywheel, complete | 00507078 | 029 |
| 12 | KOEHLENHALTER brush holder | 00507801 | 001 |
| 13 | LOKRAD H.H. O.N. UGR. Loco wheel (big counterweight) | 51711900 | 006 |
| 14 | LOKRAD N.H. O.N. UGR. Loco wheel (small counterweight) | 51712000 | 006 |
| 15 | LOKRAD N.H. M.N. UGR. Loco wheel (small counterweight) | 51712100 | 006 |
| 16 | ACHSE axle | 00527001 | 002 |
| 17 | RADSATZ KPL. Wheelset complete | 53710400 | 015 |
| 18 | HAFTREIFEN traction tyre | 00547004 | 001 |
| 19 | ZAHNRAD Z:16 MESSING gear wheel brass | 00567112 | 007 |
| 20 | ZAHNRAD Z:18/23 schwarz gear wheel black | 56716800 | 003 |
| 21 | SCHNECKE D = 4MM L = 8MM worm gear | 00567604 | 006 |
| 22 | STROMABNEHMEREINSATZ KPL. Power pick-up assembly | 60707801 | 030 |
| 23 | BLATTFEDER F.7065/7076/771/79 flat spring | 00617905 | 001 |
| 24 | LAMPENKONTAKTHALTER lamp contact support | 00637078 | 009 |
| 25 | ENTSTOERDROSSEL suppressor choke | 00644101 | 007 |
| 26 | ENTSTOERKONDENSATOR Anti-noise capacitor | 00644202 | 006 |
| 27 | SCHRAUBE M 1,4 X 3 screw | 00700203 | 001 |
| 28 | SENKSCHRAUBE KS countersunk screw | 00702303 | 001 |
| 29 | BLECHSCHRAUBE M.KREUZSCHLITZ screw with tapping | 00713309 | 001 |
| 30 | SCHRAUBE screw | 00730025 | 002 |
| 31 | SCHRAUBE screw | 00730028 | 001 |
| 32 | BOLZEN F. ZAHNRAD bolt for gear wheel | 00730511 | 002 |
| 33 | BOLZEN F. KUPPELSTANGE bolt for coupling rod | 00730565 | 002 |
| 34 | STECKPUFFER plug-in buffer | 00757002 | 002 |



| 707801 | | T18.1 KPEV | = | N |
|---------------------|--|---------------------|------------------------------|---|
| Pos. Nr. Pos.no. | Beschreibung Description | Art.-Nr. Art.no. | Preisgruppe Price bracket | |
| 35 | BLATTRICHTFEDER F.KUPPLUNG N flat straightening spring for coupling | 00767006 | 001 | |
| 36 | ERSATZ-SCHLEIFKOHLEN carbon brushes set | 6518 | --- | |
| 37 | ERS.-GLUEHLAMPE KLAR M.STECKFA replacement bulb, clear, with plug-in socket | 00006535 | 008 | |
| 38 | STANDARD-KUPPLUNG standard clip-in coupling | 9521 | --- | |
| -- | PROFI-KUPPLUNG profi clip-in coupling | 9541 | --- | |