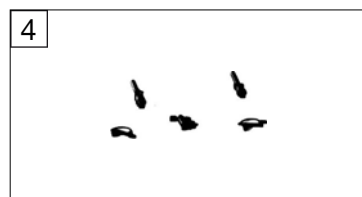
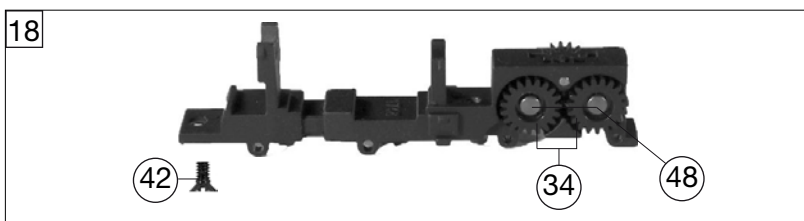
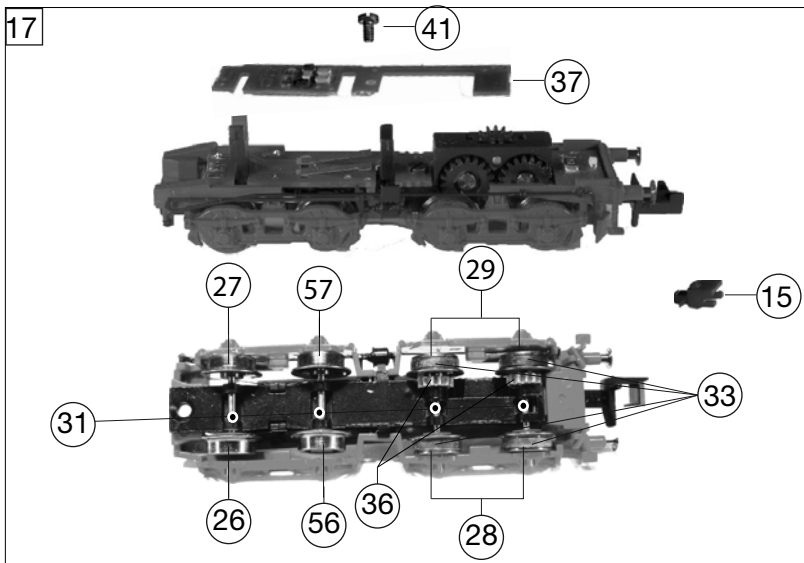
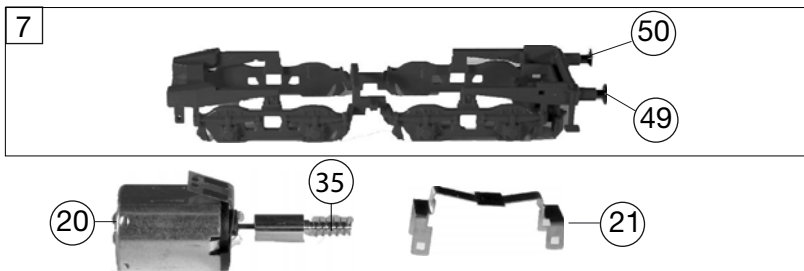
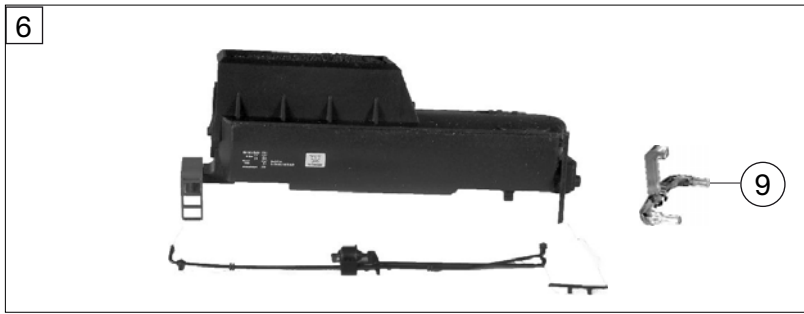


| 715208 | BR 52 | 52 705 | DR | = | N |
|----------------------|---|--------|------------------------|------------------------------|---|
| Pos. Nr. Pos. no. | Beschreibung Description | | Art.-Nr. Art. n. o. | Preisgruppe Price bracket | |
| 1 | LOKGEHÄUSE KPL. Loco chassis complete | | 10715208 | 029 | |
| 2 | UMLAUFBLECH BR 52 Running board | | 11715202 | 025 | |
| 3 | LICHTLEITER Light conductor set | | 13715201 | 006 | |
| 4 | ZUGHAKEN-BREMSPUP.-KOLBENSTANG Coupling hook, brake hose, piston rod | | 19715201 | 012 | |
| 5 | PFEIFE Whistle | | 00197005 | 004 | |
| 6 | TENDERGEHÄUSE KPL. Tender body complete | | 20715208 | 024 | |
| 7 | TENDERRAHMEN KPL. Tender framework complete | | 21715208 | 023 | |
| 8 | LEITER-TREPPE-HANDLAUF-ROHRLEI Ladder, treadle, handrail, pipes | | 22715202 | 011 | |
| 9 | LICHTLEITER FUER TENDER Light conductor for tender | | 23715201 | 006 | |
| 10 | LOKFAHRGESTELL KPL. 1715271 Loco chassis complete | | 30715208 | 040 | |
| 11 | LOKFAHRGESTELL MIT RÄDERN Loco chassis with wheels | | 31715208 | 032 | |
| 12 | STEUERUNG KPL M. KUPPELSTANGEN Reversing gear complete with coupling rods | | 32715201 | 017 | |
| 13 | DECKPLATTE UNTEN Lower cover plate | | 00337181 | 006 | |
| 14 | VORLAUFGESTELL KPL. Pony truck, new | | 00377181 | 017 | |
| 15 | ADAPTER Adaptor | | 00387008 | 006 | |
| 16 | KUPPELASCHE LOK-TENDER Coupling latch loco-tender | | 38802100 | 004 | |
| 17 | TENDERFAHRGESTELL KPL. O. MOTOR Tender chassis complete, w/o motor | | 40715208 | 033 | |
| 18 | TENDERFAHRGESTELL MIT ZAHNRÄDE Tender chassis with gear train | | 41715201 | 027 | |
| 19 | ZYLINDERKASTEN KPL. BR 52 Cylinder box complete | | 48715201 | 013 | |
| 20 | MOTOR Motor | | 50715201 | 030 | |
| 21 | MOTORHALTEBUEGEL Motor retainer clip | | 50791400 | 002 | |
| 22 | KUPPELRAD ROT Coupled wheel | | 00517062 | 007 | |
| 23 | TREIBRAD LINKS Left driving wheel | | 00517072 | 008 | |
| 24 | TREIBRAD RECHTS Right driving wheel, low flange | | 00517073 | 008 | |
| 25 | KUPPELRAD Niedr. Spurkranz Coupled wheel, low flanged | | 00517074 | 008 | |
| 26 | LOKRAD O.N. ROTLACKIGER Tender wheel w/o gear, w/o groove, black, isol. | | 51713700 | 004 | |
| 27 | LOKRAD O.N. SCHWARZ VERN. Locowheel w/o gear, w/o groove, black | | 51713800 | 003 | |
| 28 | TENDERRAD O.Z.M.N. ROT LACK isol. Tender wheel w/o gear, with groove, red, isol. | | 51715700 | 003 | |
| 29 | TENDERRAD O.Z.M.N. ROT LACK Tender wheel w/o gear, with groove, red | | 51715800 | 003 | |
| 56 | TENDERRAD O.Z.O.N. ROT LACK, isol. Tender wheel w/o gear, w/o groove, red, isol. | | 51715900 | 003 | |
| 57 | TENDERRAD O.Z.O.N. ROT LACK Tender wheel w/o gear, w/o groove, red | | 51716000 | 003 | |
| 30 | ACHSE Axle | | 00527007 | 001 | |
| 31 | ACHSE Axle | | 52701200 | 001 | |
| 32 | RADSATZ VOR- U. NACHLAUFGESTELL Carrying wheels set | | 00537030 | 011 | |
| 33 | HAFTREIFEN Traction tyre | | 00547001 | 001 | |
| 34 | ZAHNRAD Gear wheel | | 56718100 | 003 | |
| 35 | SCHNECKE (MESSING) Worm gear (brass) | | 56762200 | 009 | |



| 715208 | | BR 52 | 52705 | DR | = | N |
|----------------------|--|------------------------|------------------------------|----|---|---|
| Pos. Nr. Pos. no. | Beschreibung Description | Art.-Nr. Art. n. o. | Preisgruppe Price bracket | | | |
| 36 | RITZEL Gear wheel | 56762000 | 001 | | | |
| 37 | LEITERPLATTE KPL. (TENDER) PCB complete (tender) | 65714000 | 018 | | | |
| 38 | LEITERPLATTE KPL. PCB complete | 65714100 | 022 | | | |
| 39 | LEITERPLATTE KPL. PCB complete | 65714200 | 022 | | | |
| 40 | SCHNITTST. BLINDSTECKER 6-POL. Jumper 6 pin | 68701400 | 016 | | | |
| 41 | SCHRAUBE M 1,4 X 3 Metric screw | 00700203 | 001 | | | |
| 42 | SCHRAUBE Screw | 00702304 | 001 | | | |
| 43 | LINSENSCHRAUBE F.7181/82 Buttonscrew | 00704902 | 002 | | | |
| 44 | LINSENSCHRAUBE F.7339 Buttonscrew | 00704904 | 002 | | | |
| 45 | BLECHSCHRAUBE M.KREUZSCHLITZ Tapping screw | 00713309 | 001 | | | |
| 46 | BOLZEN F.KUPPELSTANGE Bolt for coupling rod | 00730562 | 002 | | | |
| 47 | BOLZEN F. KUPPELSTANGE Bolt for coupling rod | 00730570 | 001 | | | |
| 48 | BUNDBOLZEN F.7225 Flanged bolt | 00730578 | 003 | | | |
| 52 | FEDERBÜGEL F.ZUGFEDER Spring clip for draw spring | 76711000 | 001 | | | |
| 49 | STECKPUFFER (GEWÖLBT) Plug-in buffer, curved | 00757011 | 002 | | | |
| 50 | STECKPUFFER (FLACH) Plug-in buffer, flat | 00757012 | 002 | | | |
| 51 | ZUGFEDER SCHWARZ VERN. Drawspring, black | 76710800 | 001 | | | |
| | STANDARD-KUPPLUNG Standard coupling | 9521 | — | | | |
| | STANDARD-STECKKUPPLUNG Standard plug-in coupling | 9525 | — | | | |
| | PROFI-KUPPLUNG Profi coupling | 9541 | — | | | |
| | PROFI-STECKKUPPLUNG Profi plug-in coupling | 9545 | — | | | |