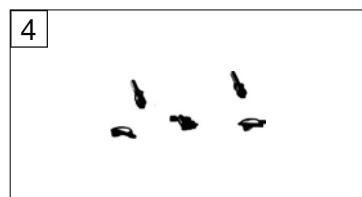
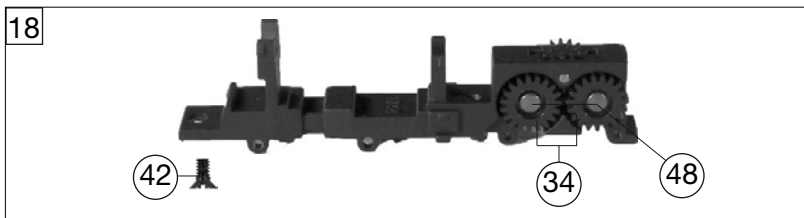
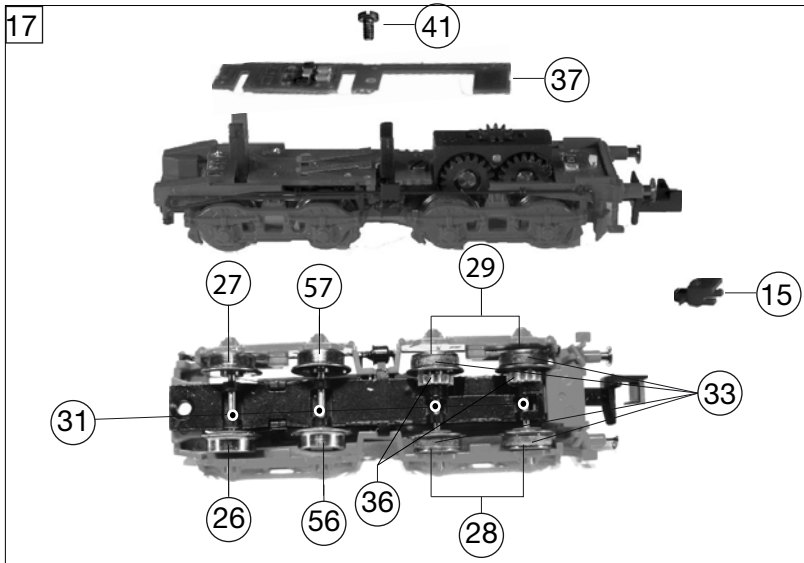
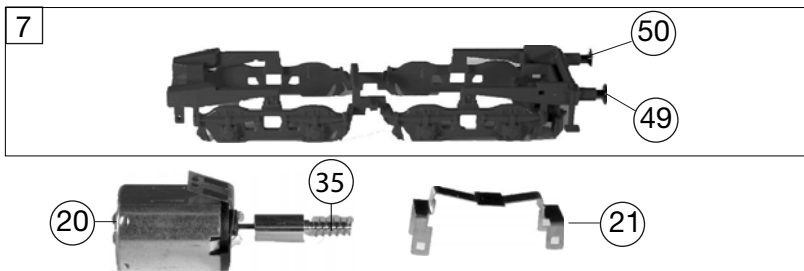


715277	Rh 52	50.7064	ÖBB	=	🔊	N
Pos. Nr. Pos.no.	Beschreibung Description				Art.-Nr. Art.no.	Preisgruppe Price bracket
1	LOKGEHÄUSE KPL. Loco chassis complete				10715277	29
2	UMLAUFBLECH BR 52 Running board				11715207	25
3	LICHTLEITER Light conductor set				13715201	6
4	ZUGHAKEN-BREMSKUP.-KOLBENSTANG Coupling hook, brake hose, piston rod				19715201	12
5	PFEIFE Whistle				00197605	4
6	TENDERGEHÄUSE KPL. Tender body complete				20715207	24
7	TENDERRAHMEN KPL. Tender framework complete				21715207	23
8	LEITER-TREPPE-HANDLAUF-ROHRLEI Ladder, treadle, handrail, pipes				22715207	---
9	LICHTLEITER FUER TENDER Light conductor for tender				23715201	6
10	LOKFAHRGESTELL KPL.f 715271 Loco chassis complete				30715277	40
11	LOKFAHRGESTELL MIT RÄDERN Loco chassis with wheels				31715203	32
12	STEUERUNG KPL.M.KUPPELSTANGEN Reversing gear complete with coupling rods				32715201	17
13	DECKPLATTE UNTEN Lower cover plate				00337186	6
14	VORLAUFGESTELL KPL. Pony truck, new				37715207	16
15	ADAPTER Adaptor				38702400	7
16	KUPPELLASCHE LOK-TENDER Coupling latch loco-tender				38802100	4
17	TENDERFAHRGESTELL KPL.O.MOTOR Tender chassis complete, w/o motor				40715207	33
18	TENDERFAHRGESTELL MIT ZAHNRÄDE Tender chassis with gear train				41715201	27
19	ZYLINDERKASTEN KPL.BR 52 Cylinder box complete				48715201	13
20	MOTOR Motor				50715201	30
21	MOTORHALTEBUEGEL Motor retainer clip				50791400	2
22	KUPPELRAD ROT Coupled wheel				00517062	7
23	TREIBRAD LINKS Left driving wheel				00517072	8
24	TREIBRAD RECHTS Right driving wheel, low flange				00517073	8
25	KUPPELRAD Niedr. Spurkranz Coupled wheel, low flanged				00517074	8
26	LOKRAD O.N. ROT LACK. UGR Tender wheel w/o gear, w/o groove, black, isol.				51713700	4
27	LOKRAD O.N. SCHWARZ VERN. Loco wheel w/o gear, w/o groove, black				51713800	3
28	TENDERRAD O.Z.M.N. ROT LACK. isol. Tender wheel w/o gear, with groove, red, isol.				51715700	3
29	TENDERRAD O.Z.M.N. ROT LACK. Tender wheel w/o gear, with groove, red				51715800	3
56	TENDERRAD O.Z.O.N. ROT LACK., isol. Tender wheel w/o gear, w/o groove, red, isol.				51715900	3
57	TENDERRAD O.Z.O.N. ROT LACK. Tender wheel w/o gear, w/o groove, red				51716000	3
30	ACHSE Axle				00527007	1
31	ACHSE Axle				52701200	1
32	RADSATZ VOR-U.NACHLAUFGESTELL Carrying wheelsset				00537030	11
33	HAFTREIFEN Traction tyre				00547001	1
34	ZAHNRAD Gear wheel				56718100	3
35	SCHNECKE (MESSING) Worm gear (brass)				56762200	9



715277		Rh 52	50.7064	ÖBB	=	🔊	N
Pos. Nr. Pos. no.	Beschreibung Description	Art.-Nr. Art. no.	Preisgruppe Price bracket				
36	RITZEL Gear wheel	56762000	1				
37	LEITERPLATTE KPL. (TENDER) PCB complete (tender)	65714000	18				
38	LEITERPLATTE KPL. PCB complete	65714100	22				
	Lautsprecher 8x12 (o. Abb.) Loudspeaker (w/o illustr.)	68701700	---				
	Lautsprecheraufnahme u. Bügel (o. Abb.) Loudspeaker reception and retainer (w/o illustr.)	68701400	16				
	SOUND-DECODER (o. Abb.) Sound decoder (w/o illustr.)	68715277	---				
41	SCHRAUBE M 1,4 X 3 Metric screw	00700203	1				
42	SCHRAUBE Screw	00702304	1				
43	LINSENSCHRAUBE F.7181/82 Button screw	00704902	2				
44	LINSENSCHRAUBE F.7339 Button screw	00704904	2				
45	BLECHSCHRAUBE M.KREUZSCHLITZ Tapping screw	00713309	1				
46	BOLZEN F.KUPPELSTANGE Bolt for coupling rod	00730562	2				
47	BOLZEN F. KUPPELSTANGE Bolt for coupling rod	00730570	1				
48	BUNDBOLZEN F.7225 Flanged bolt	00730578	3				
	BUNDBOLZEN (o. Abb.) Flanged bolt (w/o illustr.)	73059800	3				
49	STECKPUFFER (GEWÖLBT) Plug-in buffer, curved	00757011	2				
50	STECKPUFFER (FLACH) Plug-in buffer, flat	00757012	2				
51	ZUGFEDER SCHWARZ VERN. Draw spring, black	76710800	1				
	STANDARD-KUPPLUNG Standard coupling	9521	---				
	STANDARD-STECKKUPPLUNG Standard plug-in coupling	9525	---				
	PROFI-KUPPLUNG Profi coupling	9541	---				
	PROFI-STECKKUPPLUNG Profi plug-in coupling	9545	---				
	FEDERBÜGEL F.ZUGFEDER 76710800 (o. Abb.) Spring arm for draw spring 76710800 (w/o illustr.)	76711000	1				