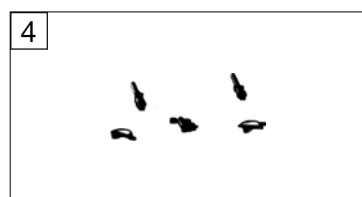
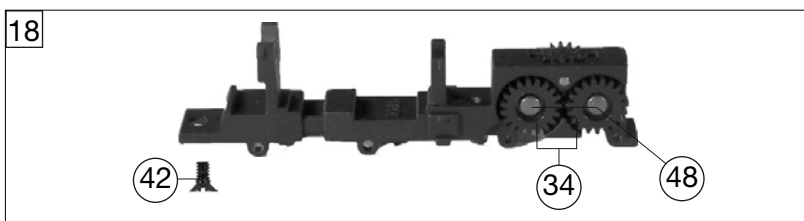
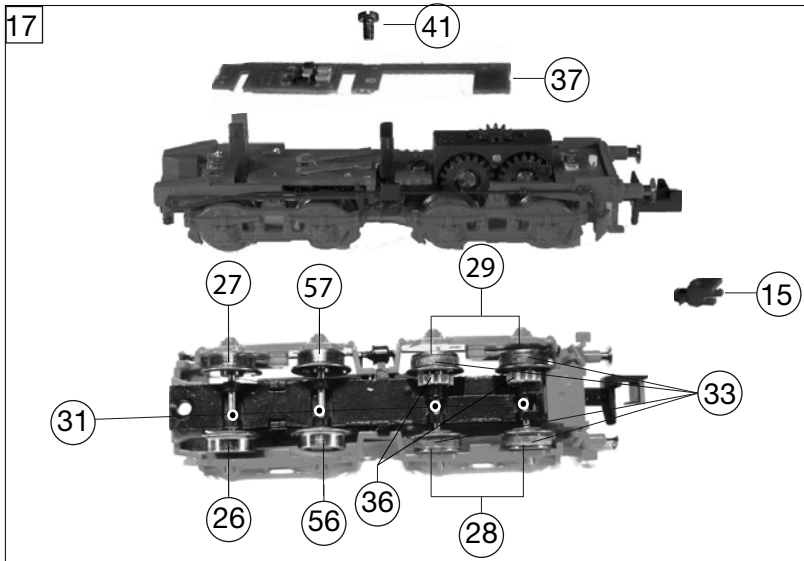
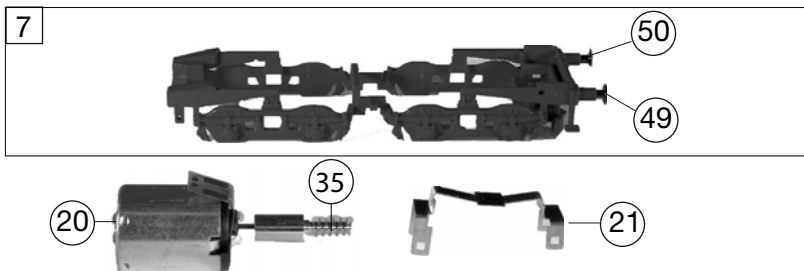


| 715291 | 150-Y-6982 | SNCF | = | 🔊 | N |
|---------------------|--------------------------------------------------------------------------------------|------|---------------------|------------------------------|---|
| Pos. Nr. Pos.no. | Beschreibung Description | | Art.-Nr. Art.no. | Preisgruppe Price bracket | |
| 1 | LOKGEHÄUSE KPL. Loco chassis complete | | 10715291 | --- | |
| 2 | UMLAUFBLECH BR 52 Running board | | 11715211 | --- | |
| 3 | LICHTLEITER Light conductor set | | 13715201 | 6 | |
| 4 | ZUGHAKEN-BREMSKUP.-KOLBENSTANG Coupling hook, brake hose, piston rod | | 19715201 | 12 | |
| 5 | PFEIFE Whistle | | 00197605 | 4 | |
| 6 | TENDERGEHÄUSE KPL. Tender body complete | | 20715211 | --- | |
| 7 | TENDERRAHMEN KPL. Tender framework complete | | 21715211 | --- | |
| 8 | LEITER-TREPPE-HANDLAUF-ROHRLEI Ladder, treadle, handrail, pipes | | 22715211 | --- | |
| 9 | LICHTLEITER FUER TENDER Light conductor for tender | | 23715201 | 6 | |
| 10 | LOKFAHRGESTELL KPL.f 715271 Loco chassis complete | | 30715291 | --- | |
| 11 | LOKFAHRGESTELL MIT RÄDERN Loco chassis with wheels | | 31715211 | --- | |
| 12 | STEUERUNG KPL.M.KUPPELSTANGEN Reversing gear complete with coupling rods | | 32715211 | --- | |
| 13 | DECKPLATTE UNTEN Lower cover plate | | 00337186 | 6 | |
| 14 | VORLAUFGESTELL KPL. Pony truck, new | | 37715211 | --- | |
| 15 | ADAPTER Adaptor | | 38702400 | 7 | |
| 16 | KUPPELLASCHE LOK-TENDER Coupling latch loco-tender | | 38802100 | 4 | |
| 17 | TENDERFAHRGESTELL KPL.O.MOTOR Tender chassis complete, w/o motor | | 40715211 | --- | |
| 18 | TENDERFAHRGESTELL MIT ZAHNRÄDE Tender chassis with gear train | | 41715205 | --- | |
| 19 | ZYLINDERKASTEN KPL.BR 52 Cylinder box complete | | 48715206 | 14 | |
| 20 | MOTOR Motor | | 50715201 | 30 | |
| 21 | MOTORHALTEBUEGEL Motor retainer clip | | 50791400 | 2 | |
| 22 | KUPPELRAD Coupled wheel | | 51716300 | --- | |
| 23 | TREIBRAD LINKS Left driving wheel | | 51716100 | --- | |
| 24 | TREIBRAD RECHTS Right driving wheel, low flange | | 51716200 | --- | |
| 25 | KUPPELRAD Coupled wheel | | 51716800 | --- | |
| 26 | LOKRAD O.N. SCHWARZ VERN. UGR Tender wheel w/o gear, w/o groove, black, isol. | | 51714100 | --- | |
| 27 | LOKRAD O.N. SCHWARZ VERN. Loco wheel w/o gear, w/o groove, black | | 51714200 | --- | |
| 28 | TENDERRAD O.Z.M.N. ROT LACK. isol. Tender wheel w/o gear, with groove, red, isol. | | 51716700 | --- | |
| 29 | TENDERRAD O.Z.M.N. ROT LACK. Tender wheel w/o gear, with groove, red | | 51716800 | --- | |
| 56 | TENDERRAD O.Z.O.N. ROT LACK., isol. Tender wheel w/o gear, w/o groove, red, isol. | | 51716400 | --- | |
| 57 | TENDERRAD O.Z.O.N. ROT LACK. Tender wheel w/o gear, w/o groove, red | | 51716500 | --- | |
| 30 | ACHSE Axle | | 00527007 | 1 | |
| 31 | ACHSE Axle | | 52701200 | 1 | |
| 32 | VORLAUF-SCHEIBEN-RADSATZ Disk type carrying wheelset | | 53715000 | --- | |
| 33 | HAFTREIFEN Traction tyre | | 00547001 | 1 | |
| 34 | ZAHNRAD Gear wheel | | 56718100 | 3 | |
| 35 | SCHNECKE (MESSING) Worm gear (brass) | | 56762200 | 9 | |



| 715291 | | 150-Y-6982 | SNCF | = | 🔊 | N |
|----------------------|----------------------------------------------------------------------------------------------|----------------------|------------------------------|---|---|---|
| Pos. Nr. Pos. no. | Beschreibung Description | Art.-Nr. Art. no. | Preisgruppe Price bracket | | | |
| 36 | RITZEL Gear wheel | 56762000 | 1 | | | |
| 37 | LEITERPLATTE KPL. (TENDER) PCB complete (tender) | 65714000 | 18 | | | |
| 38 | LEITERPLATTE KPL. PCB complete | 65714100 | 22 | | | |
| | Lautsprecher 9,6 x 13,6 x 2,9 (o. Abb.) Loudspeaker (w/o illustr.) | 68700200 | 16 | | | |
| | Lautsprecheraufnahme u. Bügel (o. Abb.) Loudspeaker reception and retainer (w/o illustr.) | 68701400 | 16 | | | |
| | SOUND-DECODER (o. Abb.) Sound decoder (w/o illustr.) | 68715291 | --- | | | |
| 41 | SCHRAUBE M 1,4 X 3 Metric screw | 00700203 | 1 | | | |
| 42 | SCHRAUBE Screw | 00702304 | 1 | | | |
| 43 | LINSENSCHRAUBE F.7181/82 Button screw | 00704902 | 2 | | | |
| 44 | LINSENSCHRAUBE F.7339 Button screw | 00704904 | 2 | | | |
| 45 | BLECHSCHRAUBE M.KREUZSCHLITZ Tapping screw | 00713309 | 1 | | | |
| 46 | BOLZEN F.KUPPELSTANGE Bolt for coupling rod | 00730562 | 2 | | | |
| 47 | BOLZEN F. KUPPELSTANGE Bolt for coupling rod | 00730570 | 1 | | | |
| 48 | BUNDBOLZEN F.7225 Flanged bolt | 00730578 | 3 | | | |
| | BUNDBOLZEN (o. Abb.) Flanged bolt (w/o illustr.) | 73059800 | 3 | | | |
| 49 | STECKPUFFER (GEWÖLBT) Plug-in buffer, curved | 00757011 | 2 | | | |
| 50 | STECKPUFFER (FLACH) Plug-in buffer, flat | 00757012 | 2 | | | |
| 51 | ZUGFEDER SCHWARZ VERN. Draw spring, black | 76710800 | 1 | | | |
| | STANDARD-KUPPLUNG Standard coupling | 9521 | --- | | | |
| | STANDARD-STECKKUPPLUNG Standard plug-in coupling | 9525 | --- | | | |
| | PROFI-KUPPLUNG Profi coupling | 9541 | --- | | | |
| | PROFI-STECKKUPPLUNG Profi plug-in coupling | 9545 | --- | | | |