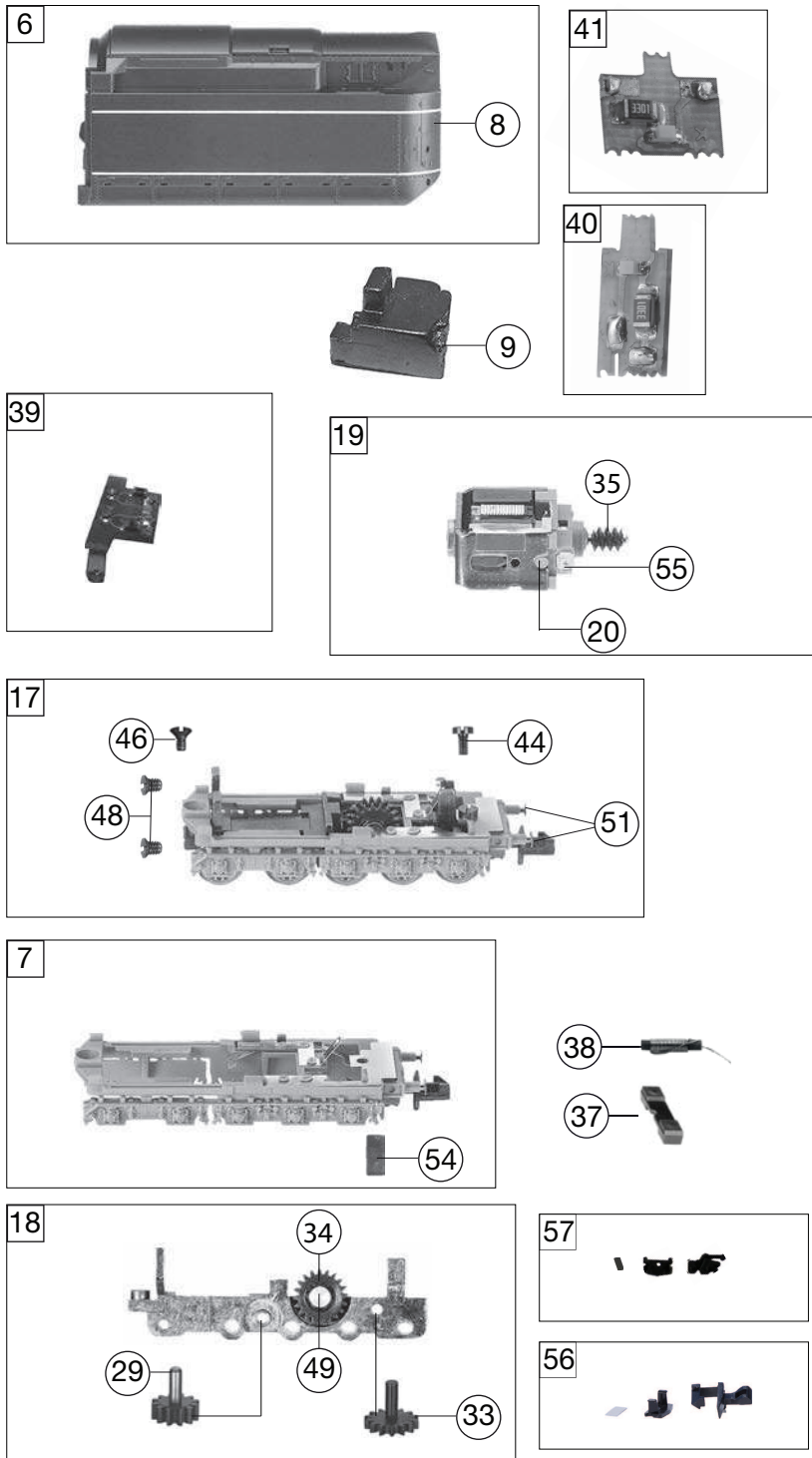


| 717404 | | 01 1102 | TEAG/SEH | = | N |
|---------------------|--|---------------------|------------------------------|---|---|
| Pos. Nr. Pos.no. | Beschreibung Description | Art.-Nr. Art.no. | Preisgruppe Price bracket | | |
| 1 | LOKGEHÄUSE KPL. Body assembly complete | 10717404 | 028 | | |
| 2 | LICHTLEITER -SATZ Light conductor set | 13717404 | 006 | | |
| 3 | HOHEITSZEICHEN-SATZ Set of heraldic identifiers | 15717404 | 018 | | |
| 4 | BESCHWERUNG Ballast | 00167172 | 012 | | |
| 5 | DAMPFPFEIFE SCHW.VERN. Steam whistle,nickel-plated, black | 19763400 | 002 | | |
| 6 | TENDERGEHÄUSE KPL. Tender body complete | 20717404 | 018 | | |
| 7 | TENDERBODENRAHMEN KPL. Tender framework | 21717403 | 018 | | |
| 8 | FLUTLICHTENSATZ F. TENDER Light conductor for tender | 00237170 | 006 | | |
| 9 | BESCHWERUNG Ballast | 00267172 | 012 | | |
| 10 | LOKFAHRGESTELL KPL. Loco chassis complete | 30717403 | 037 | | |
| 11 | LOKFAHRGESTELL MIT RÄDERN Loco chassis with gear wheels | 31717403 | 028 | | |
| 12 | KREUZKÖPFE MIT VERBUNDSTANGEN Cross-heads with coupling rod | 00327174 | 019 | | |
| 13 | DECKPLATTE UNTEN Lower cover plate | 00337172 | 007 | | |
| 14 | KUPPELLASCHE Coupling latch | 00347171 | 004 | | |
| 15 | VORLAUFGESTELL F.BR 01 STROML. Pony truck for streamlined BR 01 | 00377172 | 016 | | |
| 16 | SCHLEPPGESTELL KPL. MIT BLATTF Set of carrying wheels (rear), w.pressure spring | 00397172 | 012 | | |
| 17 | TENDERFAHRGESTELL KPL. OHNE MO Tender chassis complete w/o motor | 40717403 | 031 | | |
| 18 | TENDERFAHRGESTELL M.Z. Tender chassis with gear wheels | 41717403 | 018 | | |
| 19 | MOTOR O.SCHW.O.MASSEKONTAKT Motor w/o flywheel w/o ground contactor | 05071601 | 027 | | |
| 20 | KOHLHALTER Brush holder | 00507801 | 001 | | |
| 21 | TENDERRAD O.Z.M.N.ISO.ROT Tender wheel w/o gear, with traction tyre | 00517003 | 006 | | |
| 22 | TENDERRAD M.Z.M.N.ISO ROT Tender wheel with gear, with traction tyre | 00517004 | 006 | | |
| 23 | TREIBRAD GR.GEGENGEW.ROT Driving wheel with big counterweight,red | 00517011 | 007 | | |
| 24 | KUPPELRAD KL.GEGENGEW.ROT Coupled wheel with small counterweight,red | 00517012 | 007 | | |
| 25 | TENDERRAD O.Z.O.N.ISO.ROT Tender wheel w/o gear, w/o traction tyre | 00517013 | 007 | | |
| 26 | TENDERRAD M.Z.O.N.ISO. ROT Tender wheelset with gear, w/o traction tyre | 00517017 | 007 | | |
| 27 | ACHSE Axle | 00527001 | 002 | | |
| 28 | ACHSE Axle | 00527004 | 001 | | |
| 29 | ZAHNRAD M.METALLACHSE Z=12 Gear wheel with metal axle Z=12 | 00527171 | 006 | | |
| 30 | V.+ NACHLAUFRADSATZ Carrying wheelset complete | 00537007 | 011 | | |
| 31 | VORLAUFRADSATZ Pony truck wheelset | 00537011 | 011 | | |
| 32 | HAFTREIFEN Traction tyre | 00547001 | 001 | | |
| 33 | ZAHNRAD Gear wheel | 00567106 | 004 | | |
| 34 | ZAHNRAD Gear wheel | 00567107 | 006 | | |
| 35 | SCHNECKE D = 4MM L = 5MM Worm gear D=4mm, L=5mm | 00567601 | 007 | | |



| 717404 | | 01 1102 | TEAG/SEH | = | N |
|---------------------|--|---------------------|------------------------------|---|---|
| Pos. Nr. Pos.no. | Beschreibung Description | Art.-Nr. Art.no. | Preisgruppe Price bracket | | |
| 36 | STROMABNEHMEREINSATZ MIT LICHT Power pick-up assembly with light | 60717403 | 021 | | |
| 37 | ABSTANDSHALTER Spacer | 00627172 | 006 | | |
| 38 | ENTSTOERDROSSEL Suppressor choke | 00644101 | 007 | | |
| 39 | SCHALTPL. TENDER F.7171/2/3 S Tender PCB for 7171/2/3 S | 00657084 | 024 | | |
| 40 | LICHTPLATINE VORNE Forward light pcb | 65719700 | 014 | | |
| 41 | LICHTPLATINE HINTEN Rear light pcb | 65719800 | 014 | | |
| 42 | SCHNITTST.-BLINDSTECKER 6-POL. Jumper 6-pin | 66401600 | 013 | | |
| 43 | SCHRAUBE M 1,4 X 3 Screw M 1,4 X 3 | 00700203 | 001 | | |
| 44 | SCHRAUBE (M 1,7 X 3) Screw (M 1,7 X 3) | 00700303 | 001 | | |
| 45 | SCHRAUBE Screw | 00700408 | 001 | | |
| 46 | SCHRAUBE Screw | 00702304 | 001 | | |
| 47 | BLECHSCHRAUBE M.KREUZSCHLITZ Tapping screw | 00713309 | 001 | | |
| 48 | SCHRAUBE Screw | 00730025 | 002 | | |
| 49 | BOLZEN F. ZAHNRAD Bolt for gear wheel | 00730504 | 002 | | |
| 50 | BOLZEN F. KUPPLUNGSTANGE Bolt for coupling rod | 00730565 | 002 | | |
| 51 | STECKPUFFER gestempelt Plug-in buffer, stamped | 75710500 | 002 | | |
| 52 | ANDRUCKFEDER F.VORLAUFGESTELL Pressure spring for wheelset front | 00767002 | 001 | | |
| 53 | ANDRUCKFEDER F.NACHLAUF 7173 Pressure spring for wheelset rear 7173 | 00767003 | 001 | | |
| 54 | BLATTRICHTFEDER F.KUPPLUNG N Flat straightening spring for coupling | 00767006 | 001 | | |
| 55 | ERSATZ-SCHLEIFKOHLEN Carbon brushes set | 6518 | --- | | |
| 56 | STANDARD-KUPPLUNG Clip-in exchange coupling | 9521 | --- | | |
| 57 | PROFI-KUPPLUNG Profi coupling | 9541 | --- | | |
| | PROFI-KUPPLUNG VERKUERZT (o.Abb.) Shortened profi coupling (w/o illustration) | 9543 | --- | | |
| 59 | BOLZEN FÜR VERBUNDSTANGE Bolt for coupling rod | 73060500 | 002 | | |