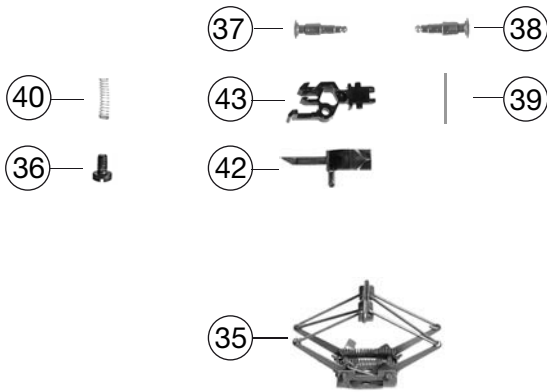


739411 1020 014-5		ÖBB	=	N
Pos. Nr. Pos.no.	Beschreibung Description	Art.-Nr. Art.no.	Preisgruppe Price bracket	
1	Lokgehäuse o.Panto.o.Dach Loco body assembly, w/o pantographs&roof	10739411	---	
2	DACH KPL. OHNE DACHSTROMABNEHM Roof complete w/o pantographs	12739411	---	
3	FUEHRERSTAND/SATZ BR194 F.7394 Set of driver's cabs	01273941	9	
4	LICHTLEITER u.LINSEN/SATZ Light conductor set	13739402	11	
5	FENSTER-SATZ F.739402 Windows set	14739402	12	
6	GEHÄUSEVORBAUTEN-SATZ Front end housing -set	15739411	---	
7	BESCHWERUNG -SATZ Ballast set	16739402	14	
8	TRAVERSE SATZ F.7394 Traverse set	00177394	9	
9	PFEIFE Whistle	00197603	3	
10	GRIFFSTANGE (VORBAU) Hand rail (top) for front housing	19770900	14	
11	GRIFFSTANGE/DREHGESTELL F.7394 Hand rail on front of bogie assy	00197706	3	
	SCHIENENRAEUMER-SATZ (o. Abb.) Rail guard set (w/o illustr.)	22739411	---	
13	Deckplatte unten Cover plate	33739411	---	
14	DEICHSEL F.7394 Short coupling reception	00387010	5	
15	LOKFAHRGESTELL O.MOTOR F.7394 Loco chassis w/o motor	00407394	18	
16	DREHGESTELLRAHMEN VORNE Bogie framework, front side	417394111	---	
17	DREHGESTELLRAHMEN HINTEN Bogie framework, rear side	417394112	---	
18	DEICHSELABDECKUNG-SATZ Bogie framework cover set	43739411	---	
19	DREHGESTELLBLOCK VORNE Bogie block front side	45739411	---	
20	DREHGESTELLBLOCK HINTEN Bogie block rear side	46739411	---	
21	MOTOR M.SCHW.O.MASSEKONTAKT Motor with flywheel w/o ground contactor	50737201	29	
22	KOHLENHALTER Carbon brush holder	00507801	1	
23	ACHSE ZUR DREHGEST.BEFESTIGUNG Axle for bogie framework fixation	00527002	2	
24	RADSATZ O.Z.O.N.F.7394 BR 194 Wheelset w/o gear wheel, w/o traction tyre	00537084	12	
25	RADSATZ M.Z.O.N.F.7394 Wheelset with gear wheel, w/o traction tyre	00537085	14	
26	RADSATZ M.Z.M.1 N.F.7394 Wheelset with gear wheel, with traction tyre	00537086	14	
27	HAFTREIFEN Traction tyre	00547002	1	
28	ZAHNRAD Z:13 SCHWARZ Gear wheel, black	00567149	6	
29	SCHNECKE D = 4MM L = 7MM Worm gear	00567605	6	
30	KONTAKTBAND F.7394 Contact band	00617915	2	
31	ENTSTOERDROSSEL Suppressor choke	00644101	7	
32	SCHIEBESCHALTER MIT SCHALTFEDE Switch for overhead catenary	64739411	---	
33	LEITERPLATTE KPL. M.BUCHSENLEI PCB complete	65711600	18	
34	SCHNITTST.-BLINDSTECKER 6-POL. Jumper, 6-pin	00664002	13	
35	SCHERENPANTO. ROT F. BR 1020 Double arm pantograph, red	67703100	26	



739411		1020 014-5	ÖBB	=	N
Pos. Nr. Pos.no.	Beschreibung Description	Art.-Nr. Art.no.	Preisgruppe Price bracket		
36	SCHRAUBE Screw	00700303	1		
37	STECKPUFFER (GEWÖLBT) Plug-in buffer (curved)	00757011	2		
38	STECKPUFFER (FLACH) Plug-in buffer (flat)	00757012	2		
39	RICHTFEDER F.DEICHSEL L=15 MM Straightening spring for short coupling	00767008	1		
40	DRUCKFEDER F.RADSATZ F.7394 Pressure spring for wheel set	00767014	1		
41	ERSATZ-SCHLEIFKOHLEN Carbon brushes set	6518	---		
42	STANDARD-STECKKUPPLUNG Standard plug-in coupling	9525	---		
43	PROFI-STECKKUPPLUNG Profi plug-in coupling	9545	---		