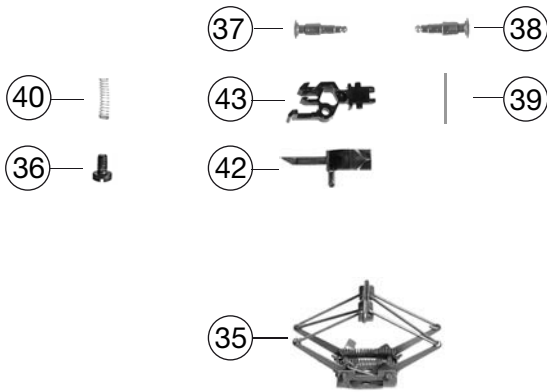


Pos. Nr. Pos.no.	Beschreibung Description	Art.-Nr. Art.no.	Preisgruppe Price bracket
1	Lokgehäuse o.Panto.o.Dach Loco body assembly, w/o pantographs&roof	10739412	---
2	DACH KPL.O.PANTO.F.7394 Roof complete w/o pantographs	00127394	30
3	FUEHRERSTAND/SATZ BR194 F.7394 Set of driver's cabs	01273941	9
4	LICHTLEITER SATZ Light conductor set	00137394	11
5	FENSTER-SATZ F.7394 Windows set	00147394	11
6	GEHÄUSEVORBAUTEN-SATZ Front end housing -set	15739412	---
7	BESCHWERUNG/SATZ F.BR 194 Ballast set	00167394	14
8	TRAVERSE SATZ F.7394 Traverse set	00177394	9
9	PFEIFE Whistle	00197603	3
10	GRIFFSTANGE VORBAU F.7394 Hand rail (top) for front housing	00197705	6
11	GRIFFSTANGE/DREHGESTELL F.7394 Hand rail on front of bogie assy	00197706	3
12	AUFSTECKLAMPE (CHROMOXIDGRÜN) Attachment lamp, chrome green	19789500	8
13	ABDECKPLATTE F.7394 Cover plate	00337394	2
14	DEICHSEL F.7394 Short coupling reception	00387010	5
15	LOKFAHRGESTELL O.MOTOR F.7394 Loco chassis w/o motor	00407394	18
16	DREHGESTELLRAHMEN VORNE Bogie framework, front side	41739412	---
17	DREHGESTELLRAHMEN HINTEN Bogie framework, rear side	417394121	---
18	DEICHSELABDECKUNG-SATZ F.7394 Bogie framework cover set	00437394	8
19	DREHGESTELLBLOCK VORNE F.7394 Bogie block front side	00457394	18
20	DREHGEST.BLOCK HINTEN F.7394 Bogie block rear side	00467394	18
21	MOTOR M.SCHW.O.MASSEKONTAKT Motor with flywheel w/o ground contactor	50737201	29
22	KOHLENHALTER Carbon brush holder	00507801	1
23	ACHSE ZUR DREHGEST.BEFESTIGUNG Axle for bogie framework fixation	00527002	2
24	RADSATZ O.Z.O.N.F.7394 BR 194 Wheelset w/o gear wheel, w/o traction tyre	00537084	12
25	RADSATZ M.Z.O.N.F.7394 Wheelset with gear wheel, w/o traction tyre	00537085	14
26	RADSATZ M.Z.M.1 N.F.7394 Wheelset with gear wheel, with traction tyre	00537086	14
27	HAFTREIFEN Traction tyre	00547002	1
28	ZAHNRAD Z:13 SCHWARZ Gear wheel, black	00567149	6
29	SCHNECKE D = 4MM L = 7MM Worm gear	00567605	6
30	KONTAKTBAND F.7394 Contact band	00617915	2
31	ENTSTOERDROSSEL Suppressor choke	00644101	7
32	UMSCHALTER F.OL 7394 Switch for overhead catenary	00647394	11
33	LEITERPLATTE KPL. M.BUCHSENLEI PCB complete	65711600	18
34	SCHNITTST.-BLINDSTECKER 6-POL. Jumper, 6-pin	00664002	13
35	SCHERENPANTO.ROT F.E 19/E 94 Double arm pantograph, red	00677022	20



739412		194 111-1	DB	=	N
Pos. Nr. Pos.no.	Beschreibung Description	Art.-Nr. Art.no.	Preisgruppe Price bracket		
36	SCHRAUBE Screw	00700303	1		
37	STECKPUFFER (GEWÖLBT) Plug-in buffer (curved)	00757011	2		
38	STECKPUFFER (FLACH) Plug-in buffer (flat)	00757012	2		
39	RICHTFEDER F.DEICHSEL L=15 MM Straightening spring for short coupling	00767008	1		
40	DRUCKFEDER F.RADSATZ F.7394 Pressure spring for wheel set	00767014	1		
41	ERSATZ-SCHLEIFKOHLEN Carbon brushes set	6518	---		
42	STANDARD-STECKKUPPLUNG Standard plug-in coupling	9525	---		
43	PROFI-STECKKUPPLUNG Profi plug-in coupling	9545	---		