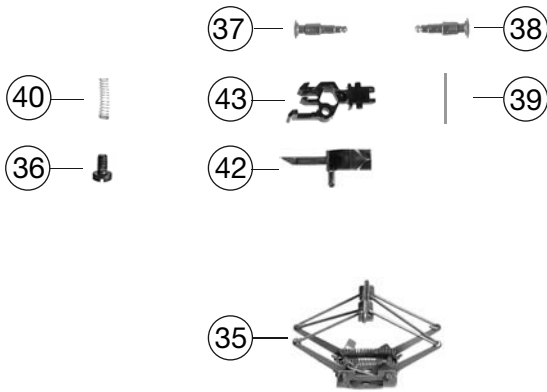


739413		BR E 94 131	DB	=	N
Pos. Nr. Pos.no.	Beschreibung Description	Art.-Nr. Art.no.	Preisgruppe Price bracket		
1	Lokgehäuse o.Panto.o.Dach Loco body assembly, w/o pantographs&roof	10739413	---		
2	DACH KPL.O.PANTO.F.7394 Roof complete w/o pantographs	12739413	30		
3	FUEHRERSTAND/SATZ BR194 F.7394 Set of driver's cabs	01273941	9		
4	LICHTLEITER SATZ Light conductor set	13739403	11		
5	FENSTER-SATZ F.7394 Windows set	00147394	11		
6	GEHÄUSEVORBAUTEN-SATZ Front end housing -set	15739413	---		
7	BESCHWERUNG/SATZ F.BR 194 Ballast set	00167394	14		
8	TRAVERSE SATZ F.7394 Traverse set	00177394	9		
9	PFEIFE Whistle	00197603	3		
10	GRIFFSTANGE VORBAU F.7394 Hand rail (top) for front housing	00197705	6		
11	GRIFFSTANGE/DREHGESTELL F.7394 Hand rail on front of bogie assy	00197706	3		
12	AUFSTECKLAMPE Attachment lamp, chrome green	00197822	8		
13	ABDECKPLATTE F.7394 Cover plate	00337394	2		
14	DEICHSEL F.7394 Short coupling reception	00387010	5		
15	LOKFAHRGESTELL O.MOTOR F.7394 Loco chassis w/o motor	00407394	18		
16	DREHGESTELLRAHMEN VORNE Bogie framework, front side	41739413	---		
17	DREHGESTELLRAHMEN HINTEN Bogie framework, rear side	41739413	---		
18	DEICHSELABDECKUNG-SATZ F.7394 Bogie framework cover set	00437394	8		
19	DREHGESTELLBLOCK VORNE F.7394 Bogie block front side	00457394	18		
20	DREHGEST.BLOCK HINTEN F.7394 Bogie block rear side	00467394	18		
21	MOTOR M.SCHW.O.MASSEKONTAKT Motor with flywheel w/o ground contactor	50737201	29		
22	KOHLENHALTER Carbon brush holder	00507801	1		
23	ACHSE ZUR DREHGEST.BEFESTIGUNG Axle for bogie framework fixation	00527002	2		
24	Speichenradsatz kpl. O.Z.O.N. Wheelset w/o gear wheel, w/o traction tyre	53710100	12		
25	RADSATZ M.Z.O.N.F.739403 Wheelset with gear wheel, w/o traction tyre	53710200	14		
26	SPEICHENRADSATZ KPL. MIT ZAHNR Wheelset with gear wheel, with traction tyre	53710300	14		
27	HAFTREIFEN Traction tyre	00547002	1		
28	ZAHNRAD Z:13 SCHWARZ Gear wheel, black	00567149	6		
29	SCHNECKE D = 4MM L = 7MM Worm gear	00567605	6		
30	KONTAKTBAND F.7394 Contact band	00617915	2		
31	ENTSTOERDROSSEL Suppressor choke	00644101	7		
32	UMSCHALTER F.OL 7394 Switch for overhead catenary	00647394	11		
33	LEITERPLATTE KPL. M.BUCHSENLEI PCB complete	65711600	18		
34	SCHNITTST.-BLINDSTECKER 6-POL. Jumper, 6-pin	00664002	13		
35	SCHERENPANTO.ROT F.E 19/E 94 Double arm pantograph, red	00677022	20		



739413		BR E 94 131	DB	=	N
Pos. Nr. Pos.no.	Beschreibung Description	Art.-Nr. Art.no.	Preisgruppe Price bracket		
36	SCHRAUBE Screw	00700303	1		
37	STECKPUFFER (GEWÖLBT) gestemp. Plug-in buffer (curved), printed	75706600	---		
38	STECKPUFFER (FLACH) gestemp. Plug-in buffer (flat), printed	75706700	---		
39	RICHTFEDER F.DEICHSEL L=15 MM Straightening spring for short coupling	00767008	1		
40	DRUCKFEDER F.RADSATZ F.7394 Pressure spring for wheel set	00767014	1		
41	ERSATZ-SCHLEIFKOHLEN Carbon brushes set	6518	---		
42	STANDARD-STECKKUPPLUNG Standard plug-in coupling	9525	---		
43	PROFI-STECKKUPPLUNG Profi plug-in coupling	9545	---		