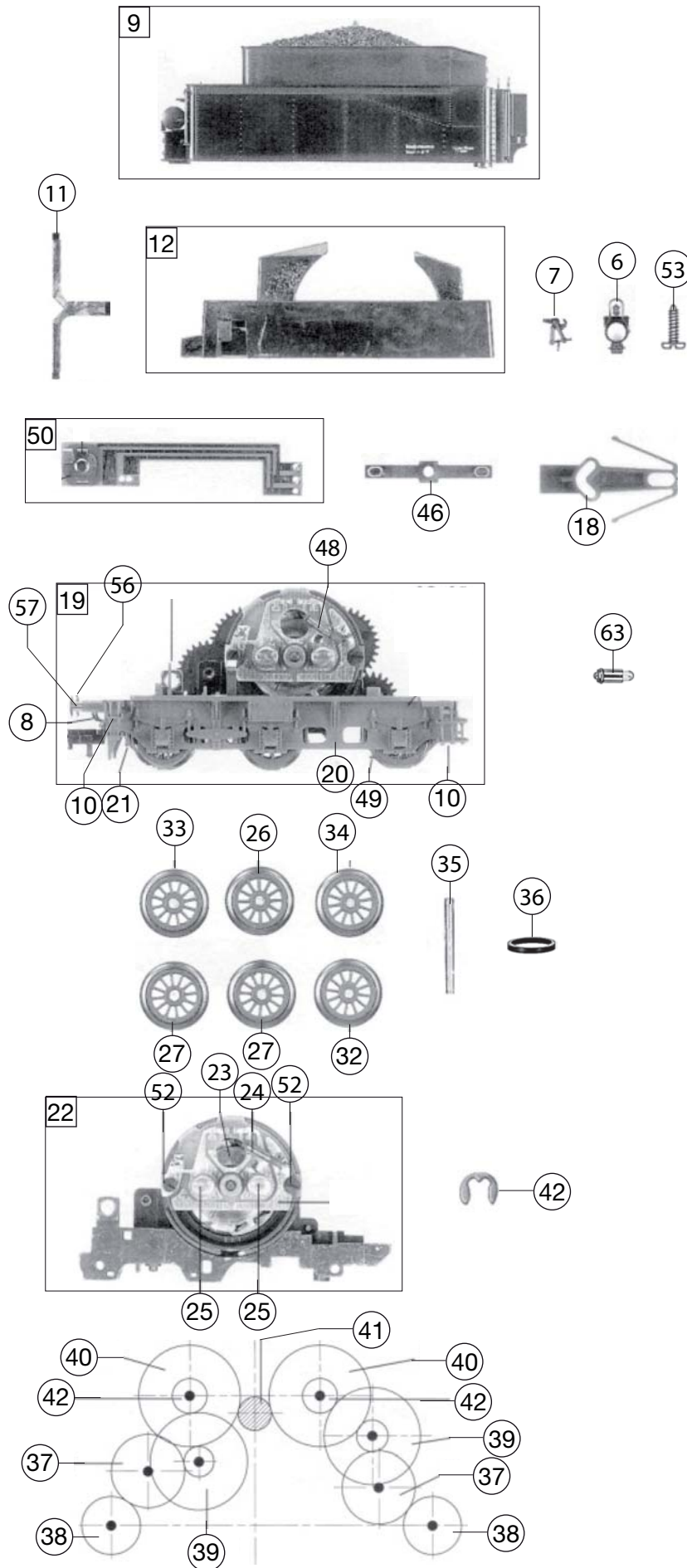


74153		BR 055 DB	055220-8	🔊	=	HO
Pos. Nr. Pos. no.	Beschreibung Description	Art.-Nr. Art. no.	Preisgruppe Price bracket			
1	LOKGEHAEUSE F.74153 Loco boiler complete w/o driver's cab	01041531	036			
2	FUEHRERHAUS KPL.F.74153 DB Driver's cab complete	01141531	018			
3	LICHTLEITER-SATZ F.4155/1155 Light conductor set	00134155	009			
4	UMLAUFBLECH F.74153 DB Running board	01541531	019			
5	PFEIFE Whistle	00194607	004			
6	REICHSBAHNLAMPE REICHSBAHN lamp, front	00194811	008			
7	KUPPLUNGSHAKEN Coupling hook	00194824	002			
8	BREMSSCHLAUCH F. BR 55 Brake hose pipe -set	00194831	002			
9	TENDERGEHAEUSE BR 55,74153 Tender body complete	02041531	019			
10	TREPPEN F.TENDER /S. Treadles for tender -set	00224155	011			
11	LICHTLEITER/TENDER-SATZ Tender light conductor -set	00234155	009			
12	TENDERBESCHWERUNG 4152/54/55 Tender ballast	00264155	016			
13	LOKFAHRGESTELL KPL.F.74153 Loco chassis complete	03041531	043			
14	ABDECKPLATTE M.BREMSATRAPPEN Bottom cover plate (loco)	00314155	013			
15	STEUERUNG KPL. Reversing gear complete	03241531	035			
16	ZYLINDERKASTEN F.BR 55 DB Cylinder l&r -set	00334155	014			
17	LOK-TENDERKUPPLUNG-SATZ Coupling between loco and tender -set	00344139	009			
18	KUKU-DEICHSEL (Lok+Tender) Short coupling reception (loco&tender)	00384007	006			
19	TENDERFAHRGEST. KPL.F.74153 Tender chassis complete, without motor	04041531	039			
20	TENDERRAHMEN KPL.F.74153 Tender framework complete	04141531	021			
21	BREMSGESTAENGETRAEGER Brake rigging support	00434155	009			
22	MOTOR KPL.M.SCHWUNGMASSE 74153 Motor complete with flywheel	05041531	034			
23	ANKER KPL.M.SCHWUNGMASSE Rotor complete with integr. flywheel	00504607	025			
24	LAGERSCHILD ISOL. Motor PCB, insulated	00504742	018			
25	KOEHLENROHRKAPPE Brush pipe cap	00504801	002			
26	T.-U.VORLAUFRAD O.Z.O.N.ROT Tender&bogie wheel w/o gear, w/o trac. tyre	00514188	006			
27	T.-U.VORLAUFR. O.Z.O.N.ISO.ROT Tender&bogie wheel w/o gear, w/o trac. tyre, insul.	00514189	007			
28	KUPPELRAD LINKS Left coupled wheel	00514263	007			
29	KUPPELRAD RECHTS ISOL.BR55/56 Right coupled wheel, insulated	00514265	008			
30	TREIBRAD LINKS BR 55 Left driving wheel	00514315	008			
31	TREIBRAD RECHTS ISOL. BR 55 Right driving wheel, insulated	00514316	008			
32	TENDERRAD O.Z.M.N.ISO.ROT Tender wheel w/o gear, with trac. tyre, insul.	00514378	009			
33	TENDERRAD O.Z.M.N.ROT Tender wheel w/o gear, with trac. tyre, red	00514379	009			
34	T-RAD O.Z.O.N.ROT F.74153 Tender wheel w/o gear, w/o trac. tyre, red	00514380	007			
35	ACHSE Axle	00524011	001			
36	HAFTREIFEN HO Traction tyre	00544007	001			
37	ZAHNRAD Z:22 SCHWARZ Gear wheel Z:22, black	00564125	002			



74153		BR 055 DB	055220-8	🔊	=	HO
Pos. Nr. Pos.no.	Beschreibung Description	Art.-Nr. Art.no.	Preisgruppe Price bracket			
38	ZAHNRAD Z:19 Gear wheel Z:19	00564146	007			
39	UNTERSETZUNGSRAD Z:30/10 ROT Reduction gear wheel Z:30/10, red	00564151	005			
40	UNTERSETZUNGSRAD Z:32/11 ROT Reduction gear wheel Z:32/11, red	00564152	005			
41	RITZEL Z:10 Gear wheel Z:10	00564602	004			
42	SICHERUNGSRING GROSS Securing ring, big	00564702	001			
	UNTERLEGSCH. ROT 2,3 X 5 X 0,1 (o. Abb.) Washer 2.3 X 5 X 0.1 (w/o illustr.)	00564747	001			
	UNTERLEGSCH. ROT 2,2X5X0,3 (o. Abb.) Washer 2.2 X 5 X 0.3, red (w/o illustr.)	00564751	001			
45	STROMABNEHMEREINS.F.74153 (Lok) Loco power pick-up assembly	00600406	017			
46	KONTAKTFEDER (TENDER BR 55) Contact spring (tender)	00614946	001			
	HALTEWINKEL F.DECO.IN 74153 (o. Abb.) Mounting bracket for decoder (w/o illustr.)	06241531	003			
48	ENTSTOERDROSSEL Suppressor choke	00644101	007			
49	KONTAKTPILZGARNITUR L:12 MM Contacter pin assembly	00644404	011			
50	LEITERPL.M.LAMPENKONTAKT FMZ PCB with lamp contact	00654055	015			
51	SCHRAUBE Screw	00700307	001			
52	SCHRAUBE Screw	00700313	001			
53	SCHRAUBE Screw	00713513	001			
54	SCHRAUBE Screw	00713516	001			
55	GEST.BOLZEN KURZ Linkage pin, short	00730552	002			
56	Steckpuffer Plug-in buffer, curved	00754006	002			
57	STECK-PUFFER FLACH Plug-in buffer, flat	00754015	002			
58	PUFFERBOHLE KPL.F.74153 Frontside framework, complete	07541531	019			
	Fleischmann- Steckkupplung (Lok) (o. Abb.) Fleischmann plug-in coupling (loco) (w/o illustr.)	6510	---			
	STANDARD- Steckkupplung (o. Abb.) Fleischmann plug-in coupling (w/o illustration)	6511	---			
	PROFI-STECKKUPPLUNG (o. Abb.) Profi coupling (w/o illustration)	6515	---			
	ERSATZ-SCHLEIFKOHLEN (o. Abb.) Carbon brushes set (w/o illustration)	6519	---			
63	ERS.-GLUEHLAMPE KLAR M.STECKFA Replacement bulb, clear, with plug-in socket	00006535	008			