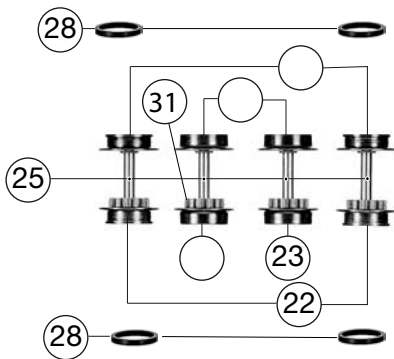
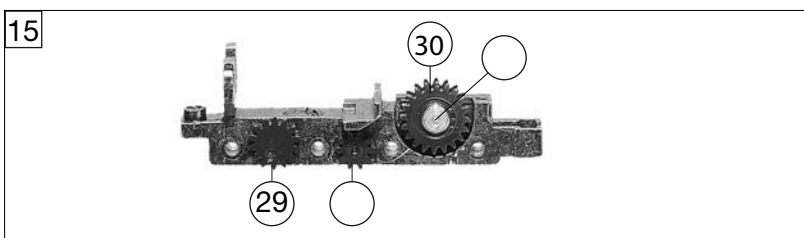
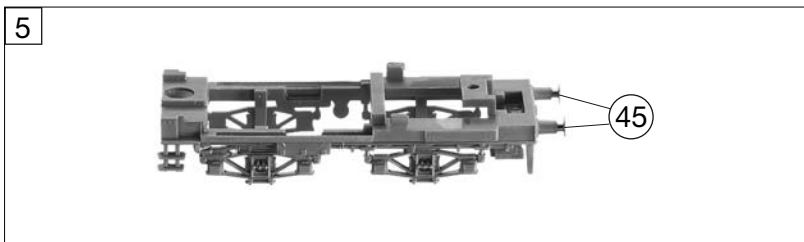
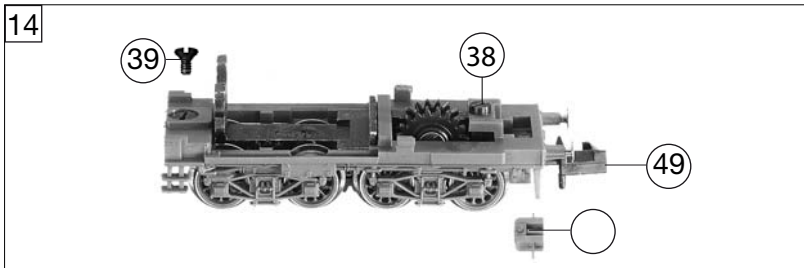
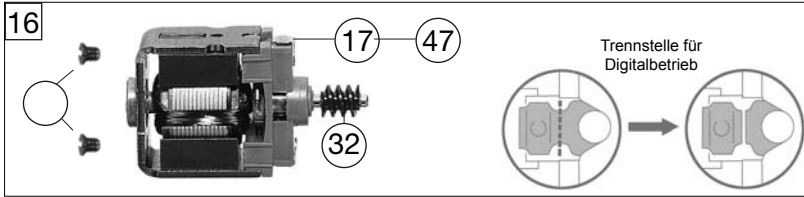
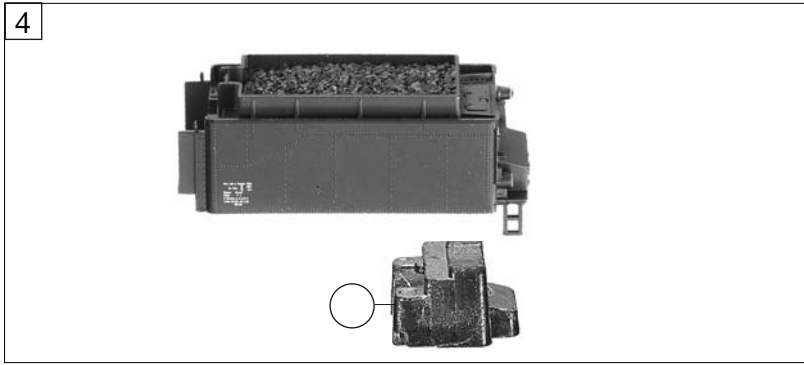


| 781001 BR 38 1979 DRG | | = | N |
|-----------------------|---|---------------------|------------------------------|
| Pos. Nr. Pos.no. | Beschreibung Description | Art.-Nr. Art.no. | Preisgruppe Price bracket |
| 1 | LOKGEHÄUSE KPL. Body assembly complete | 10781001 | 031 |
| 2 | LICHTLEITER light conductor | 00137159 | 006 |
| 3 | GLOCKE bell | 00197502 | 004 |
| | LATERNE (o.Abb.) Lamp (w/o illustration) | 00197806 | 009 |
| 4 | TENDERGEHÄUSE KPL. Tender body complete | 20781001 | 026 |
| 5 | TENDERBODENRAHMEN KPL. Tender framework complete | 21781001 | 020 |
| | LICHTLEITER/TENDER 7139 (o.Abb.) light conductor (tender) w/o illustration | 00237139 | 006 |
| 7 | LOKFAHRGESTELL KPL. Loco chassis complete | 30781001 | 043 |
| 8 | LOKFAHRGESTELL MIT RÄDERN loco chassis with wheels | 31781001 | 032 |
| 9 | KREUZKÖPFE MIT VERBUNDSTANGEN cross head with coupling rod | 03271601 | 017 |
| 10 | DECKPLATTE UNTEN cover plate bottom | 33781001 | 006 |
| 11 | DEICHSEL short coupling reception | 00347165 | 001 |
| 12 | VORLAUFGESTELL KPL. Front bogie complete | 37781001 | 017 |
| 14 | TENDERFAHRGESTELL KPL. OHNE MO tender chassis complete w/o motor | 00781001 | 031 |
| 15 | TENDERFAHRGESTELL F.7135 tender chassis | 00417135 | 020 |
| | TENDERDECKPLATTE UNTEN (o.Abb.) tender cover plate bottom w/o illustration | 00437139 | 006 |
| 16 | MOTOR O.SCHW.O.MASSEKONTAKT motor w/o flywheel, w/o ground contact | 00507139 | 029 |
| 17 | KOHLENHALTER brush holder | 00507801 | 001 |
| -- | MOTORHALTEBUEGEL Motor retainer clip | 00507902 | 005 |
| 20 | TREIBRAD ISO ROT F.BR 38 driving wheel, red, insulated | 00517007 | 007 |
| 21 | KUPPELRAD ISO ROT F.BR 38 coupled wheel, red, insulated | 00517008 | 007 |
| -- | ACHSE axle | 00527011 | 001 |
| -- | ACHSE axle | 00527004 | 001 |
| 25 | ACHSE axle | 00527007 | 001 |
| 27 | RADSATZ KPL.F.BR 78 wheelset complete | 00537029 | 011 |
| 22 | T.-RADSATZ M.Z.M.N. Tender wheelset, with gear, with traction tyre | 00537033 | 013 |
| 23 | T.-RADSATZ M.Z.O.N. Tender wheelset, with gear, w/o traction tyre | 00537034 | 013 |
| 28 | HAFTREIFEN traction tyre | 00547001 | 001 |
| 29 | ZAHNRAD Z:13 SCHW.VERN. Gear wheel black nickel plated | 00567123 | 006 |
| 30 | ZAHNRAD Z:16 SCHWARZ gear wheel black | 00567129 | 002 |
| 31 | ZAHNRAD Z:16 ROT gear wheel red | 00567144 | 002 |
| 32 | SCHNECKE D = 4MM L = 5MM worm gear | 00567601 | 007 |
| 33 | STROMABNEHMEREINSATZ KPL.M.ZYL Power pick-up assembly with cylinder | 60781001 | 031 |
| -- | SELENPLAETTCHEN Selenium chip | 00644000 | 001 |



| 781001 | | BR 38 1979 DRG | = | N |
|----------------------|---|----------------------|------------------------------|---|
| Pos. Nr. Pos. no. | Beschreibung Description | Art.-Nr. Art. no. | Preisgruppe Price bracket | |
| 34 | ENTSTOERDROSSEL Suppressor choke | 00644101 | 007 | |
| 35 | ENTSTOERKONDENSATOR Anti-noise capacitor | 00644202 | 006 | |
| 36 | SCHALTPL.F.TEN.BR 23/39 AA switch plate for tender | 00657018 | 019 | |
| -- | SCHALTITZE SCHWARZ 350 MM connecting cable black | 00667000 | 009 | |
| -- | SCHALTITZE BRAUN 350 MM connecting cable brown | 00667001 | 009 | |
| 37 | SCHRAUBE M 1,4 X 3 Screw | 00700203 | 001 | |
| 39 | SCHRAUBE Screw | 00700205 | 001 | |
| 38 | SENKSCHRAUBE KS Countersunk screw | 00702303 | 001 | |
| 40 | BLECHSCHRAUBE M.KREUZSCHLITZ tapping screw | 00713309 | 001 | |
| 42 | SCHRAUBE Screw | 00730028 | 001 | |
| 44 | BOLZEN F. KUPPELSTANGE bolt for coupling rod | 00730565 | 002 | |
| 45 | STECKPUFFER plug-in buffer | 00757002 | 002 | |
| -- | BLATTFEDER F.VORLAUFGESTELL flat spring for front bogie | 76702000 | 001 | |
| 46 | BLATTRICHTFEDER F.KUPPLUNG N Flat straightening spring for coupling | 00767006 | 001 | |
| 47 | ERSATZ-SCHLEIFKOHLEN carbon brushes set | 6518 | --- | |
| 48 | ERS.-GLUEHLAMPE KLAR M.STECKFA Replacement bulb, clear with plug-in socket | 00006535 | 038 | |
| -- | STANDARD-KUPPLUNG standard coupling | 9522 | --- | |
| -- | STANDARD-STECKKUPPLUNG standard clip-in coupling | 9542 | --- | |