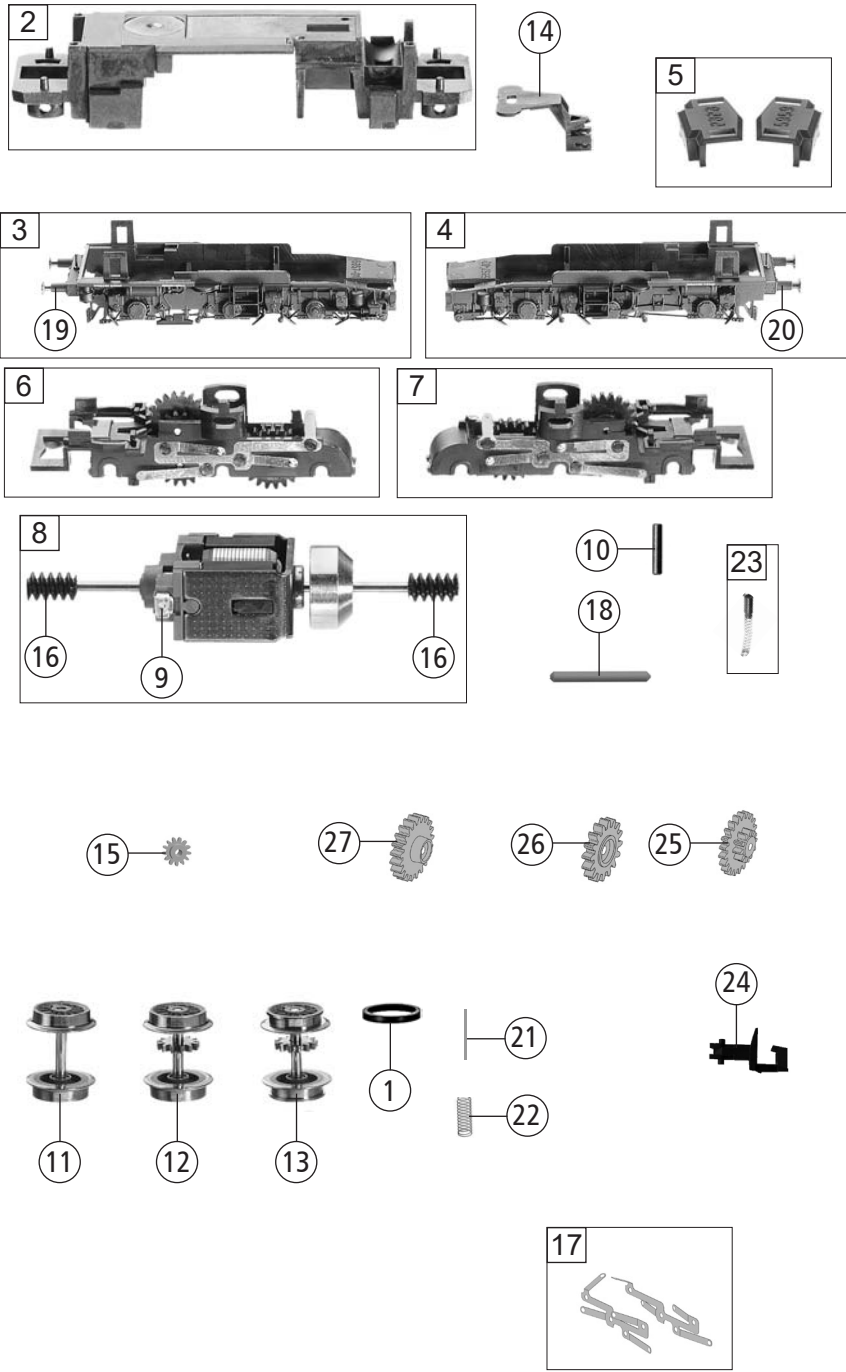


| Pos. Nr. Pos.no. | Beschreibung Description | Art.-Nr. Art.no. | Preisgruppe Price bracket |
|-----------------------------|---|---------------------|------------------------------|
| 739422 ÖBB BR 1020 = | | | |
| N | | | |
| 739492 = | | | |
| N | | | |
| 1 | GEHÄUSE KPL. BETR. NR. 1020 027-7 Body assy compl. Loco no. 1020 027-7 | 10739422 | 24 |
| 2 | DACH KPL. OHNE DACHSTROMABNEHM Roof complete w/o pantographs | 12739422 | 30 |
| 3 | FUEHRERSTAND/SATZ Set of driver's cabs | 12739417 | 11 |
| 4 | LICHTLEITER + LINSEN/SATZ Light conductor set | 13739402 | 11 |
| 5 | FENSTER-SATZ Windows set | 14739402 | 12 |
| 6 | GEHÄUSEVORBAUTEN-SATZ Front end housing -set | 11739422 | 21 |
| 7 | BESCHWERUNG -SATZ Ballast set | 16739417 | 14 |
| 8 | TS-ISOLATOREN Part set-isolators | 14739422 | 7 |
| 9 | PFEIFE Whistle | 00197603 | 3 |
| 10 | GRIFSTANGE (VORBAU) Hand rail (top) for front housing | 73942215 | 4 |
| 11 | GRIFSTANGE/DREHGESTELL Hand rail on front of bogie assy | 73942210 | 5 |
| 12 | SCHIENENRAEUMER-SATZ Rail guard set | 22739402 | 6 |
| 13 | DECKPLATTE Cover plate | 00337394 | 2 |
| 14 | ENTSTOERDROSSEL Suppressor choke | 00644101 | 7 |
| 15 | LEITERPLATTE KPL. PCB complete | 65713600 | 29 |
| 16 | BRÜCKENSTECKER Jumper | 00664002 | 13 |
| 17 | SCHERENPANTOGRAPH Double arm pantograph | 67703100 | 26 |
| 18 | ZK-SCHRAUBE M1,7x3 mm ZK-Screw | 00700303 | 1 |
| 19 | TS-ISOLATOREN Part set-isolators | 00147327 | 15 |
| 20 | DACHLEITUNG LANG+KURZ Roof wiring long+short | 19739422 | 10 |
| Sound | | | |
| 21 | FUEHRERSTAND/SATZ Set of driver's cabs | 127394892 | 11 |
| 22 | BESCHWERUNG -SATZ Ballast set | 167394892 | 14 |
| 23 | LAUTSPRECHER Loudspeaker | 68702500 | 16 |
| 24 | SOUNDDECODER Sound decoder | 68739477 | 39 |

Änderungen in Konstruktion und Ausführung vorbehalten
We reserve the right to change the construction and specification



| 739422 | | ÖBB | BR 1020 | = | | N |
|---------------------|---|---------------------|------------------------------|---|---|---|
| 739492 | | | | = | 🔊 | N |
| Pos. Nr. Pos.no. | Beschreibung Description | Art.-Nr. Art.no. | Preisgruppe Price bracket | | | |
| 1 | HAFTREIFEN Traction tyre | 00547002 | 1 | | | |
| 2 | LOKFAHRGESTELL O.MOTOR Loco chassis w/o motor | 407394892 | 19 | | | |
| 3 | DREHGESTELLRAHMEN VORNE Bogie framework, front side | 41739402 | 15 | | | |
| 4 | DREHGESTELLRAHMEN HINTEN Bogie framework, rear side | 417394021 | 15 | | | |
| 5 | DEICHSELABDECKUNG-SATZ Bogie framework cover set | 00437394 | 8 | | | |
| 6 | DREHGESTELLBLOCK VORNE Bogie block front side | 00457394 | 18 | | | |
| 7 | DREHGESTELLBLOCK HINTEN Bogie block rear side | 00467394 | 18 | | | |
| 8 | MOTOR M.SCHW.O.MASSEKONTAKT Motor w. flywheel w/o ground contactor | 50737201 | 29 | | | |
| 9 | KOHLENHALTER Carbon brush holder | 00507801 | 1 | | | |
| 10 | ACHSE ZUR DREHGEST.BEFESTIGUNG Axle for bogie framework fixation | 00527002 | 2 | | | |
| 11 | RADSATZ O.Z.O.N. Wheelset w/o gear wheel, w/o groove | 53725100 | 10 | | | |
| 12 | RADSATZ M.Z.O.N. Wheelset w. gear wheel, w/o groove | 53739422 | 11 | | | |
| 13 | RADSATZ M.Z.M. Wheelset w. gear wheel, with groove | 54739422 | 12 | | | |
| 14 | KUKU-DEICHSEL Short coupling reception | 00387010 | 5 | | | |
| 15 | ZAHNRAD Z:13 Gear wheel | 00567149 | 6 | | | |
| 16 | SCHNECKE Worm gear | 00567605 | 6 | | | |
| 17 | RADKONTAKT LI+RE Contact for wheel L+R | 145962 | 5 | | | |
| 18 | ACHSE FÜR ZAHNRAD Axle for gear wheel | 00730542 | 1 | | | |
| 19 | STECKPUFFER (GEWÖLBT) Plug-in buffer (curved) | 00757011 | 2 | | | |
| 20 | STECKPUFFER (FLACH) Plug-in buffer (flat) | 00757012 | 2 | | | |
| 21 | RICHTFEDER F.DEICHSEL Straightening spring for short coupling | 00767008 | 1 | | | |
| 22 | DRUCKFEDER F.RADSATZ Pressure spring for wheel set | 00767014 | 1 | | | |
| 23 | Kohlebürste + Feder Carbon brush+spring | 133936 | 6 | | | |
| 24 | KUPPLUNG N-SPUR Coupling | 98189 | 6 | | | |
| 25 | UNTERSETZUNGSRAD Z=10/21 Reduction gearwheel | 00567160 | 5 | | | |
| 26 | ZAHNRAD Z=16 Gearwheel | 00567161 | 5 | | | |
| 27 | ZAHNRAD Z=21 Gearwheel | 00567162 | 5 | | | |