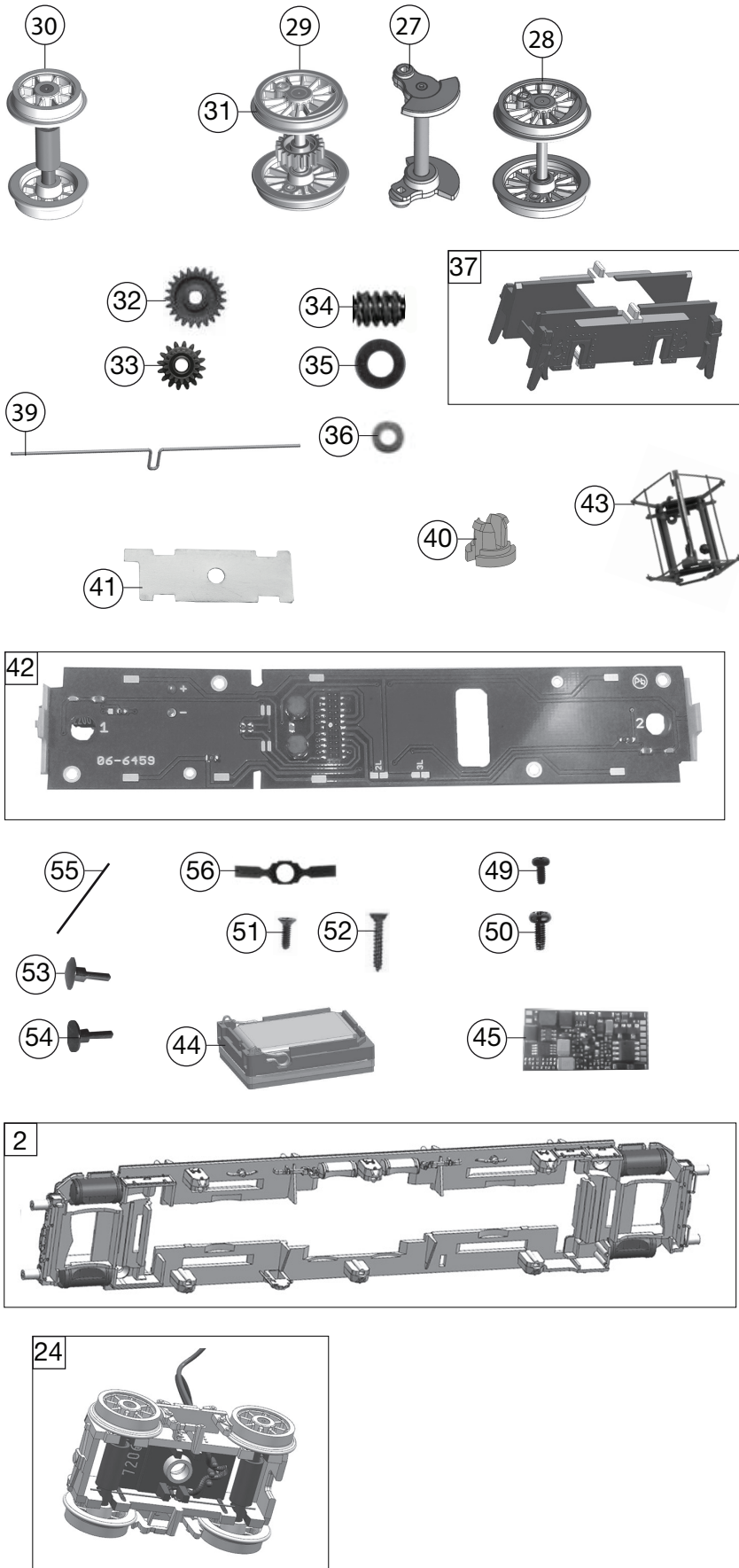


| Pos. Nr. Pos.no. | Beschreibung Description | Art.-Nr. Art.no. | Preisgruppe Price bracket |
|---------------------|--|---------------------|------------------------------|
| 1 | LOKGEHÄUSE VORMONT. Body assembly, pre-mounted | 10435271 | 030 |
| 2 | LOKRAHMEN VORM.LACK./BEDR. Loco framework,pre-mounted,painted/printed | 11435201 | 016 |
| 3 | DACH KPL. OHNE PANTOGRAPH Roof complete w/o pantograph | 12435201 | 013 |
| 4 | FÜHRERSTAND -SATZ Driver's cab inset | 124352011 | 013 |
| 5 | LICHTLEITER -SATZ Light conductor set | 13435271 | 012 |
| 6 | FENSTERBLENDEN -SATZ Windows set | 14435201 | 017 |
| 7 | LOKFÜHRER - enzianblau Loco driver | 154240012 | 009 |
| 8 | BAHNRAUMER -SATZ Rail guard set | 15435201 | 013 |
| 9 | ISOLATOREN /SATZ Set of isolators | 18435201 | 010 |
| 10 | DACHLEITUNG-HAUPTSCHALTERLEIT. Roof and main switch wires | 184352011 | 012 |
| 11 | HEIZKABEL-DACHLEITER-.../SATZ Heating cable - roof ladder - set | 19435201 | 006 |
| 12 | LOKPEIFE weiß vern. Loco whistle nickel-plated | 19463800 | 006 |
| 13 | KUPPLUNGSHAKEN Coupling hook | 00194824 | 002 |
| 14 | GRIFFSTANGEN-SATZ Handrail -set | 19495900 | 006 |
| 15 | LAMPEN INCL. LINSEN /SATZ Lamp incl.lens set | 19496000 | 006 |
| 16 | SCHEIBENWISCHER -SATZ F.430001 Windshield wiper set | 19507400 | 008 |
| 17 | TRITT-HANDGRIFF /SATZ Treadle - handrail set | 19510000 | 011 |
| 18 | PUMPENGEST.-SANDFALLROHR /SATZ Pump linkage- brass tube - set | 19510100 | 011 |
| 19 | FAHRGESTELL KPL. Chassis complete | 30395271 | 027 |
| 20 | ABDECKPLATTEN /SATZ Cover plates set | 31395271 | 016 |
| 21 | BREMSKUPPLUNG KURZ/LANG -SATZ Brake hose-pipe set | 31436001 | 008 |
| 22 | STEUERUNG Reversing gear complete | 32435201 | 032 |
| 23 | KUKU-DEICHSEL VORNE Short coupling reception front side | 38405700 | 007 |
| 24 | VORLAUFDREHGESTELL KPL. Front bogie complete | 47435201 | 015 |
| 25 | GLEITSTEIN Sliding block | 474352011 | 015 |
| 26 | MOTORBAUGRUPPE Motor assembly | 50435201 | 029 |
| 27 | BLINDWELLE KPL. karminrot Jackshaft complete | 51490700 | 012 |
| 28 | KUPPELRADSATZ OHNE ZAHNRAD Coupled wheelsset w/o gear wheel | 53437100 | 014 |
| 29 | KUPPELRADSATZ M.HAFTREIFEN Coupled wheelsset w.traction tyre | 53437200 | 014 |
| 30 | VORLAUFRAHRSATZ KPL. LACK. 3002 Pony truck wheelsset complete painted | 53437300 | 014 |
| 31 | HAFTREIFEN H0 Traction tyre | 00544006 | 001 |
| 32 | ZAHNRAD Z=23 GERADE Gear wheel Z=23 straight | 56420800 | 008 |
| 33 | SCHNECKENZAHNRAD DOPPELT Double worm gear wheel | 56461700 | 006 |
| 34 | SCHNECKE mMS-Buch.Z-1/M-0.6 Worm gear | 56462300 | 006 |



| 395271 | | DB | BR E 52 | ~ | H0 |
|---------------------|---|---------------------|------------------------------|---|----|
| Pos. Nr. Pos.no. | Beschreibung Description | Art.-Nr. Art.no. | Preisgruppe Price bracket | | |
| 35 | BEILAGSCHEIBE 4x2,1x0,06 Washer 4x2,1x0,06 | 56475900 | 002 | | |
| 36 | SCHEIBE 4x2,1x0,1 Washer 4x2,1x0,1 | 56774400 | 001 | | |
| 37 | ABDECKPLATTE MIT RADKONTAKTEN Cover plate with contacts | 60435201 | 014 | | |
| 38 | KONTAKTFEDER D=2,4 L=11,6 mm Contact spring D=2,4 L=11,6 mm | 61481300 | 004 | | |
| 39 | VORLAUF-RADKONTAKT Bogie - wheel contact | 61499300 | 007 | | |
| 40 | KLEMMSTUECK Fixation | 00621002 | 009 | | |
| 41 | KONTAKTBLECH F.692021 Contacter sheet | 00621003 | 006 | | |
| 42 | LEITERPLATTE KPL.F.DIGITAL PCB complete | 65421200 | 014 | | |
| 43 | DACHSTROMABNEHMER Pantograph | 67433900 | 020 | | |
| 44 | LAUTSPRECHER Loudspeaker | 68400400 | 016 | | |
| 45 | SOUNDDECODER Zimo MX645PP22 Sound-decoder | 68435271 | 033 | | |
| 46 | KOHLE Brush | 00686508 | 006 | | |
| 47 | BÜRSTENFEDER Brush spring | 006865081 | 003 | | |
| | SCHLEIFER kpl. (o.Abb.) Center pick-up complete (w/o illustration) | 69203300 | 013 | | |
| 49 | GF-SCHRAUBE M2x4 DIN7500 Self-tapping screw M2x4 | 70900010 | 002 | | |
| 50 | GF-SCHRAUBE M2x5 DIN7500 Self-tapping screw M2x5 | 70900011 | 003 | | |
| 51 | SCHRAUBE Screw | 70900014 | 002 | | |
| 52 | SENKKOPFBLECHSCHRAUBE B 2,2 x Countersunk tapping screw B 2,2 x | 00714516 | 001 | | |
| 53 | STECKPUFFER GEWÖLBT Plug-in buffer, curved | 00754006 | 002 | | |
| 54 | STECK-PUFFER FLACH Plug-in buffer, flat | 00754015 | 002 | | |
| 55 | DRAHTRICHTFEDER L=27 MM Thread straightening spring L=27 MM | 00764016 | 002 | | |
| 56 | BLATTFEDER F.TENDER-RS 4103/04 Flat spring for tender wheelset | 00764320 | 001 | | |
| | STECKKUPPLUNG (o.Abb.) Clip-in coupling (w/o illustration) | 6510 | --- | | |
| | STECK-TAUSCHKUPPLUNG (o.Abb.) Clip-in coupling (w/o illustration) | 6511 | --- | | |

Ersatzteile erhalten Sie direkt unter www.fleischmann.de, bei Ihrem Fachhändler, oder Ihrer Landesvertretung.
Spare parts can be ordered directly at www.fleischmann.de and from your local dealer or country representative.