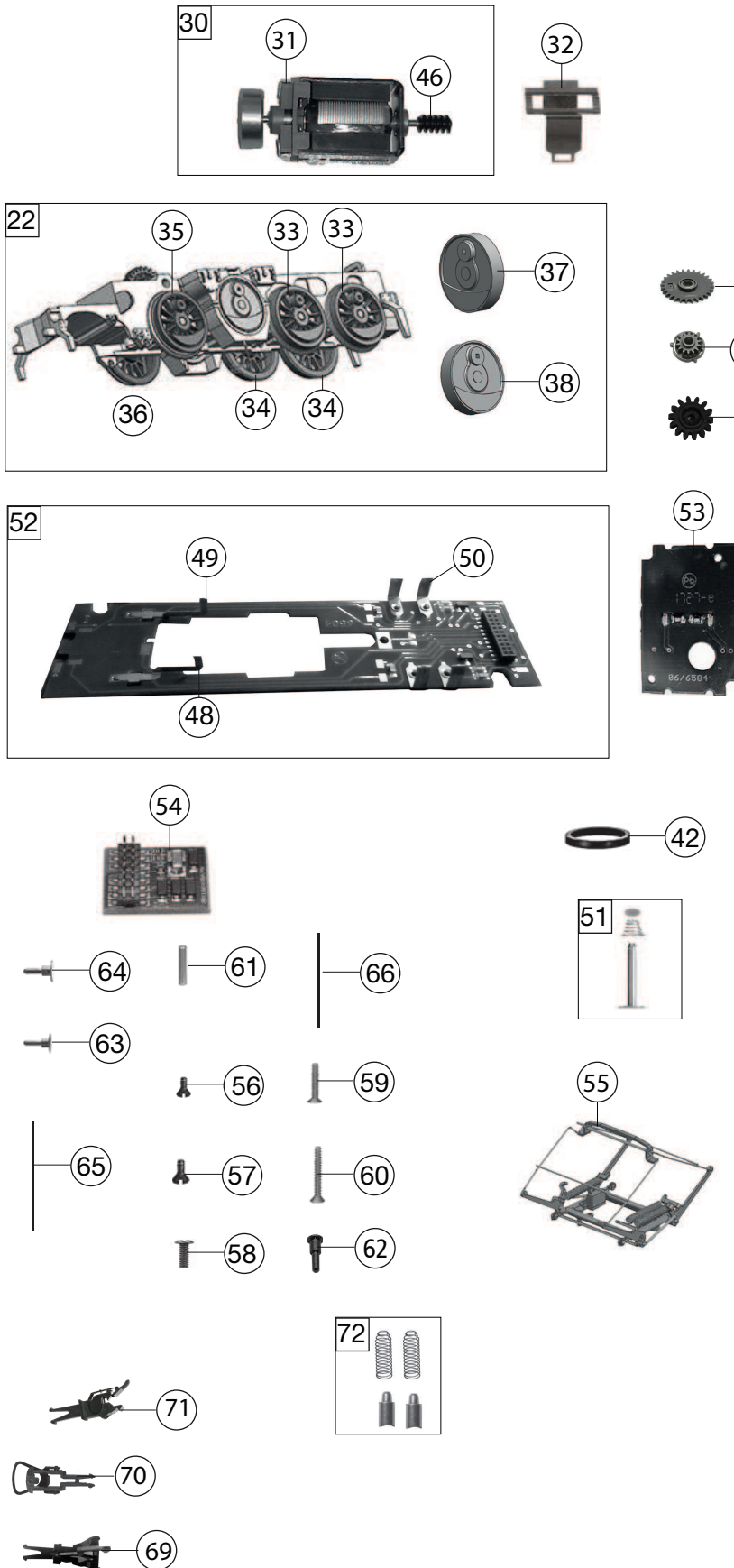


| Pos. Nr.<br>Pos.no. | Beschreibung<br>Description  | Art.-Nr.<br>Art.no. | Preisgruppe<br>Price bracket |
|---------------------|--|---------------------|------------------------------|
| 1                   | LOKGEHÄUSE KPL. f.436004<br>Body assembly complete                           | 10436004            | 035                          |
| 2                   | FÜHRERHAUSDACH VORM.F.<br>Driver's cab roof pre-mounted                      | 11436004            | 009                          |
| 3                   | UMLAUFBLECH VORM. LACK.<br>Running board pre-mounted painted                 | 114360041           | 021                          |
| 4                   | FÜHRERSTAND<br>Driver's cab  | 12436003            | 013                          |
| 5                   | LICHTABDECKUNG<br>Light cover  | 124360031           | 004                          |
| 6                   | LICHTLEITER -SATZ<br>Light conductor set                                     | 13436003            | 012                          |
| 7                   | FENSTERBLENDEN /SATZ<br>Windows set  | 14436003            | 017                          |
| 8                   | BESCHWERUNG<br>Ballast   | 16436073            | 007                          |
| 9                   | ISOLATOREN/SATZ<br>Set of isolators  | 18436004            | 012                          |
| 10                  | DACHLEIT.-ÜBERSCHLAGRAHM.SATZ<br>Set of rooftop ladder&power flashover frame | 184360031           | 012                          |
| 11                  | KLEINTEILE-SATZ<br>Set of small parts  | 194360011           | 011                          |
| 12                  | RANGIERBÜHNEN/SATZ<br>Shunter bridges set                                    | 19436004            | 019                          |
| 13                  | GRIFSTANGEN/SATZ<br>Hand-rail -set   | 194360041           | 012                          |
| 14                  | LOKPFEIFE geschw.<br>Loco whistle  | 19463300            | 006                          |
| 15                  | KUPPLUNGSHAKEN<br>Coupling hook  | 00194824            | 002                          |
| 16                  | NUMMERSCHILD GESTEMPELT<br>Number plate printed                              | 19495500            | 007                          |
| 17                  | KLEINTEILESATZ F.GEHÄUSE<br>Set of small parts for body                      | 19495600            | 014                          |
| 18                  | SCHALTRAD<br>Control wheel   | 19503700            | 003                          |
| 19                  | SCHIEBENWISCHER -SATZ<br>Windscreen wiper set                                | 19507400            | 008                          |
| 20                  | TRITTBLECH/SATZ<br>Treadle set   | 19509600            | 011                          |
| 21                  | LOKLATERNE SCHWARZ<br>Loco lamp black  | 19509700            | 009                          |
| 22                  | LOKFAHRGESTELL<br>Lok chassis  | 30436003            | 027                          |
| 23                  | BREMSKUPPLUNG KURZ/LANG -SATZ<br>Brake hose-pipe set                         | 31436001            | 008                          |
| 24                  | BREMSGEHÄNGE<br>Brake rigging  | 314360011           | 009                          |
| 25                  | KUKU-DEICHSEL VORNE<br>Short coupling reception front side                   | 38405700            | 007                          |
| 26                  | KUKU-DEICHSEL<br>Short coupling reception                                    | 38403300            | 006                          |
| 27                  | HALTEBÜGEL SCHWARZ F.KUPPLUNG<br>Coupling support black                      | 38551700            | 007                          |
| 28                  | KUPPELSTANGEN -SATZ<br>Coupling rods set                                     | 42436002            | 014                          |
| 29                  | DREHGESTELL KPL.<br>Bogie complete   | 47436002            | 015                          |
| 30                  | MOTOR M.SCHW.<br>Motor with flywheel   | 00504046            | 029                          |
| 31                  | KOHLHALTER<br>Brush holder   | 00507801            | 001                          |
| 32                  | MOTORHALTEBUEGEL<br>Motor retainer clip                                      | 00507903            | 004                          |
| 33                  | KUPPELRAD LI. rot lack.<br>Left side coupled wheel                           | 51447900            | 007                          |
| 34                  | KUPPELRAD RE. rot lack.<br>Right side coupled wheel                          | 51448000            | 007                          |
| 35                  | TREIBRAD LI.m.N rot lack.<br>Left driving wheel w.trac.tyre                  | 51448100            | 006                          |
| 36                  | TREIBRAD RE.isol.m.N<br>Right driving wheel w.trac.tyre insulated            | 51448200            | 006                          |
| 37                  | BLINDWELLENKURB.LINKS F.<br>Jackshaft crank left                             | 51451500            | 008                          |



| 436004              |  | DB                  | E 60                         | = | N |
|---------------------|--|---------------------|------------------------------|---|---|
| Pos. Nr.<br>Pos.no. | Beschreibung<br>Description                                      | Art.-Nr.<br>Art.no. | Preisgruppe<br>Price bracket |   |   |
| 38                  | BLINDWELLENKURB.RECHTS<br>Jackshaft crank right                  | 51451600            | 008                          |   |   |
| 39                  | ACHSE<br>Axle  | 00524011            | 001                          |   |   |
| 40                  | ACHSE<br>Axle  | 00527008            | 001                          |   |   |
| 41                  | LAUFRADSATZ KPL.<br>Carrying wheelset complete                   | 53420500            | 014                          |   |   |
| 42                  | HAFTREIFEN H0<br>Traction tyre                                   | 00544006            | 001                          |   |   |
| 43                  | ZAHNRAD M. RATSCHRING Z:28<br>Gear wheel with ratchet ring Z=28  | 00564178            | 005                          |   |   |
| 44                  | UNTERSETZUNGSRAD Z:18/24<br>Reduction gear wheel Z=18/24         | 00564179            | 006                          |   |   |
| 45                  | ZAHNRAD M.FED.<br>Gear wheel with spring                         | 00564185            | 005                          |   |   |
| 46                  | SCHNECKE D = 4MM L = 7MM<br>Worm gear D=4mm, L=7mm               | 00567605            | 006                          |   |   |
| 47                  | ABDECKPLATTE MIT RADKONT<br>Cover plate with contacts            | 60436001            | 014                          |   |   |
| 48                  | MOTORKONTAKTFEDER LI<br>Left motor contact spring                | 61498500            | 006                          |   |   |
| 49                  | MORORKONTAKTFEDER RE<br>Right motor contact spring               | 61498600            | 006                          |   |   |
| 50                  | LICHTKONTAKT<br>Light contact                                    | 61498700            | 006                          |   |   |
| 51                  | KONTAKTPILZGARNITUR<br>Contacter pin assembly                    | 64441900            | 008                          |   |   |
| 52                  | LEITERPLATTE KPL.<br>PCB complete                                | 65418300            | 024                          |   |   |
| 53                  | LEITERPLATTE<br>PCB  | 65420900            | 013                          |   |   |
| 54                  | PLUX-Brückenstecker<br>Plux jumper                               | 66401500            | 017                          |   |   |
| 55                  | DACHSTROMABNEHMER<br>Pantograph                                  | 67433900            | 020                          |   |   |
| 56                  | SENKSCRAUBE M 1,6 X 4<br>Countersunk screw M 1,6 X 4             | 70900007            | 002                          |   |   |
| 57                  | SK-SCHRAUBE M2x5<br>SK-Screw M2x5                                | 70900009            | 001                          |   |   |
| 58                  | GF-SCHRAUBE M2x5<br>Self-tapping screw M2x5                      | 70900011            | 003                          |   |   |
| 59                  | SENKKOPFBLECHSCHRAUBE<br>Countersunk tapping screw               | 70900030            | 003                          |   |   |
| 60                  | SENKKOPFBLECHSCHRAUBE KREUZSCH<br>Countersunk tapping screw      | 00712509            | 001                          |   |   |
| 61                  | ZYLINDERSTIFT 2 X 10<br>Cylinder pin 2x10                        | 00730538            | 001                          |   |   |
| 62                  | GESTAENGEBOLZEN schwarz vern.<br>Linkage pin black nickel-plated | 00730549            | 002                          |   |   |
| 63                  | STECKPUFFER GEWÖLBT<br>Plug-in buffer, curved                    | 00754040            | 006                          |   |   |
| 64                  | STECK-PUFFER FLACH<br>Plug-in buffer, flat                       | 00754041            | 006                          |   |   |
| 65                  | RICHTFEDER<br>Straightening spring                               | 00764020            | 002                          |   |   |
| 66                  | RICHTFEDER<br>Straightening spring                               | 00764021            | 002                          |   |   |
| 67                  | ANDRUCKFEDER F.RADSATZ<br>Pressure spring for wheelset           | 00764328            | 001                          |   |   |
| 68                  | DEICHSELFEDER<br>Spring for rod                                  | 76433800            | 003                          |   |   |
| 69                  | STECKKUPPLUNG<br>Clip-in coupling                                | 6510                | ---                          |   |   |
| 70                  | STECK-TAUSCHKUPPLUNG<br>Clip-in coupling                         | 6511                | ---                          |   |   |
| 71                  | PROFI STECKKUPPLUNG<br>Profi clip-in coupling                    | 6515                | ---                          |   |   |
| 72                  | ERSATZ SCHLEIFKOHLEN<br>Carbon brushes set                       | 6518                | ---                          |   |   |

Ersatzteile erhalten Sie direkt unter [www.fleischmann.de](http://www.fleischmann.de), bei Ihrem Fachhändler, oder Ihrer Landesvertretung.  
Spare parts can be ordered directly at [www.fleischmann.de](http://www.fleischmann.de) and from your local dealer or country representative.