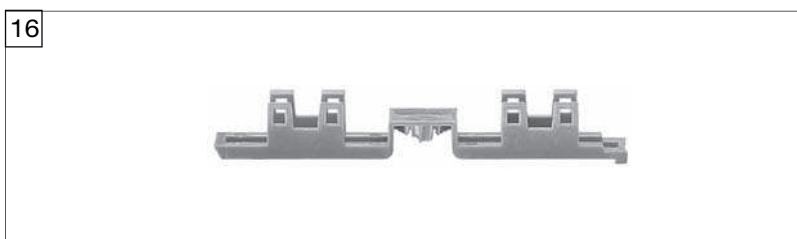
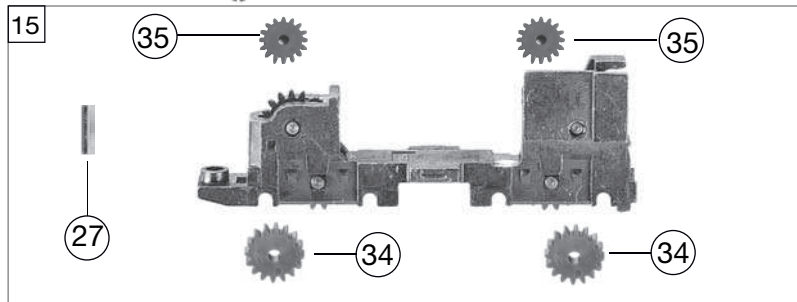
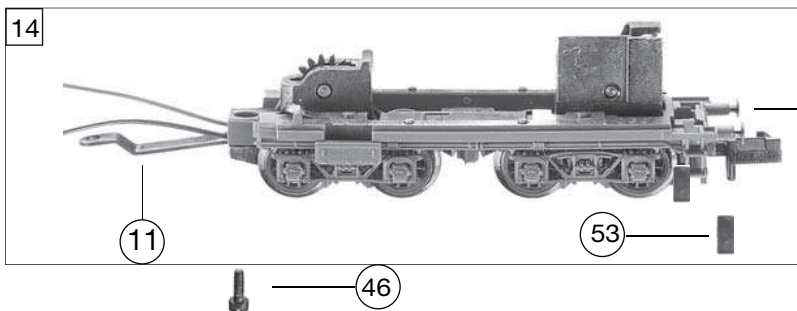
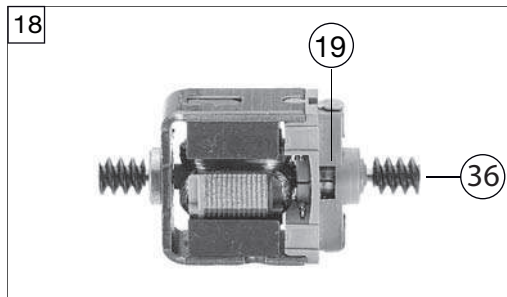
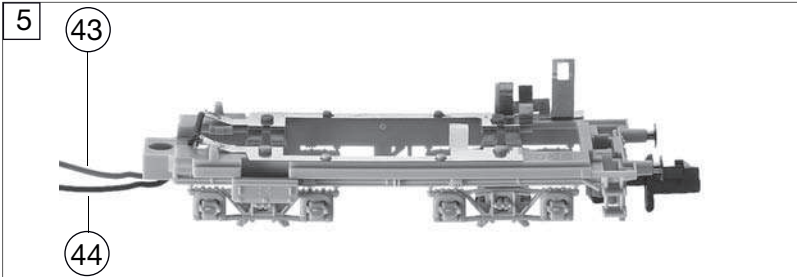
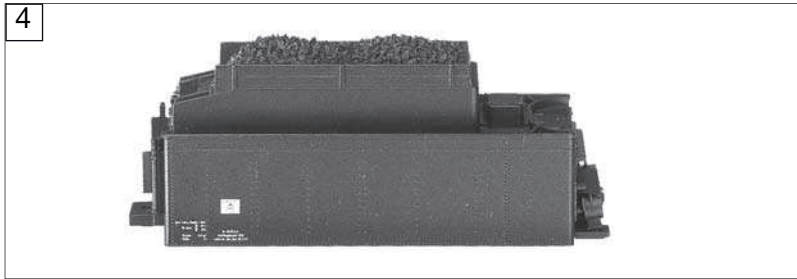
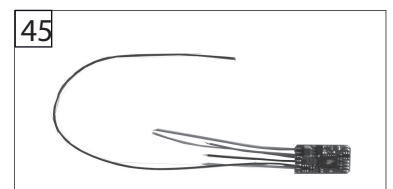
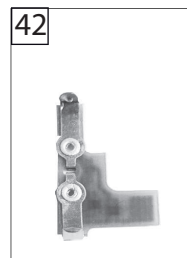
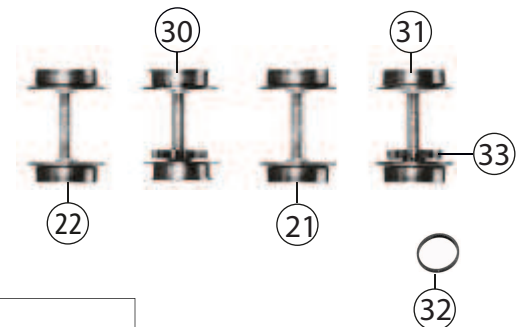


| 713981              |                                                                                    | DB                  | Dampflok                     | 39.0-2 |  | = | N |
|---------------------|------------------------------------------------------------------------------------|---------------------|------------------------------|--------|--|---|---|
| Pos. Nr.<br>Pos.no. | Beschreibung<br>Description                                                        | Art.-Nr.<br>Art.no. | Preisgruppe<br>Price bracket |        |  |   |   |
| 1                   | LOKGEHÄUSE KPL. BR 39 DB<br>Body assembly complete BR 39 DB                        | 10713901            | 030                          |        |  |   |   |
| 2                   | FLUTLICHTLEITER LOK<br>Light conductor                                             | 00137139            | 004                          |        |  |   |   |
| 3                   | LATERNE WEISS AUSGELEGT<br>Lamp white                                              | 00197806            | 009                          |        |  |   |   |
| 4                   | TENDERGEHÄUSE KPL.<br>Tender body complete                                         | 20713981            | 026                          |        |  |   |   |
| 5                   | TENDERRAHMEN KPL.<br>Tender framework complete                                     | 21713901            | 022                          |        |  |   |   |
| 6                   | LICHTLEITER/TENDER 7139<br>Light conductor (tender)                                | 00237139            | 006                          |        |  |   |   |
| 7                   | LOKFAHRGESTELL KPL.<br>Loco chassis complete                                       | 30713981            | 043                          |        |  |   |   |
| 8                   | LOKFAHRGESTELL MIT RÄDERN<br>Loco chassis w. wheels                                | 31713801            | 029                          |        |  |   |   |
| 9                   | KREUZKÖPFE U. VERBUNDSTANGEN<br>Cross-heads & coupling rod                         | 32713801            | 020                          |        |  |   |   |
| 10                  | DECKPLATTE UNTEN<br>Lower cover plate                                              | 00337139            | 006                          |        |  |   |   |
| 11                  | DEICHSEL<br>Coupling reception                                                     | 00347139            | 001                          |        |  |   |   |
| 12                  | VORLAUFGESTELL KPL.<br>Bogie complete                                              | 00377139            | 016                          |        |  |   |   |
| 13                  | SCHLEPPGESTELL KPL. MIT BLATTF<br>Set of carrying wheels (rear),w. pressure spring | 00397139            | 014                          |        |  |   |   |
| 14                  | TENDERFAHRGESTELL KPL.OHNE MOT<br>Tender chassis complete w/o motor                | 40713981            | 035                          |        |  |   |   |
| 15                  | TENDERFAHRGESTELL F.7135<br>Tender chassis F.7135                                  | 00417135            | 020                          |        |  |   |   |
| 16                  | ABDECKPLATTE<br>Cover plate                                                        | 00437139            | 006                          |        |  |   |   |
| 17                  | ZYLINDERKASTEN KPL.<br>Cylinder box complete                                       | 48713801            | 027                          |        |  |   |   |
| 18                  | MOTOR O.SCHW.O.MASSEKONTAKT<br>Motor w/o flywheel w/o ground contactor             | 00507139            | 029                          |        |  |   |   |
| 19                  | KOHLENHALTER<br>Brush holder                                                       | 00507801            | 001                          |        |  |   |   |
| 20                  | MOTORHALTEBÜGEL SCHW. VERN.<br>Motor retainer clip, flywheel, nickel-plated        | 00507902            | 005                          |        |  |   |   |
| 21                  | TENDERRAD O.Z.M.N.ISO.ROT<br>Tender wheel w/o gear,w traction tyre                 | 00517003            | 006                          |        |  |   |   |
| 22                  | TENDERRAD O.Z.O.N.ISO.ROT<br>Tender wheel w/o gear,w/o traction tyre               | 00517013            | 007                          |        |  |   |   |
| 23                  | LOKRAD KL. GEW.UGR.<br>Loco wheel (small counterweight)                            | 00517050            | 007                          |        |  |   |   |
| 24                  | LOKRAD MITTL.GEW.<br>Loco wheel counterbalance                                     | 00517051            | 007                          |        |  |   |   |
| 25                  | LOKRAD GR.GEW.<br>Loco wheel (big counterweight)                                   | 00517052            | 007                          |        |  |   |   |
| 26                  | ACHSE<br>Axle                                                                      | 00527001            | 002                          |        |  |   |   |
| 27                  | ACHSE<br>Axle                                                                      | 00527004            | 001                          |        |  |   |   |
| 28                  | ACHSE<br>Axle                                                                      | 00527007            | 001                          |        |  |   |   |
| 29                  | V.+ NACHLAUFRADSATZ<br>Carrying wheelsset                                          | 00537007            | 011                          |        |  |   |   |
| 30                  | T.-RADSATZ M.Z.M.N.<br>Tender wheel with gear, with groove                         | 00537033            | 013                          |        |  |   |   |
| 31                  | T.-RADSATZ M.Z.O.N.<br>Tender wheel with gear, w/o groove                          | 00537034            | 013                          |        |  |   |   |
| 32                  | HAFTREIFEN<br>Traction tyre                                                        | 00547001            | 001                          |        |  |   |   |
| 33                  | ZAHNRAD Z:13 SCHW. VERN.<br>Gear wheel z: 13 black nickel plated                   | 00567123            | 006                          |        |  |   |   |
| 34                  | ZAHNRAD<br>Gear wheel                                                              | 00567129            | 002                          |        |  |   |   |
| 35                  | ZAHNRAD<br>Gear wheel                                                              | 00567144            | 002                          |        |  |   |   |
| 36                  | SCHNECKE D = 4MM L = 5MM<br>Worm gear D= 4mm L=5mm                                 | 00567601            | 007                          |        |  |   |   |
| 37                  | ISOLIERSCHEIBE<br>Washer                                                           | 00567741            | 001                          |        |  |   |   |



| 713981              |                                                                                | DB DampfloK 39.0-2  | ☰                            | = | N |
|---------------------|--------------------------------------------------------------------------------|---------------------|------------------------------|---|---|
| Pos. Nr.<br>Pos.no. | Beschreibung<br>Description                                                    | Art.-Nr.<br>Art.no. | Preisgruppe<br>Price bracket |   |   |
| 38                  | STROMABNEHMEREINS.KPL.F.713901<br>Power pick-up assembly complete              | 60713901            | 027                          |   |   |
| 39                  | LAMPENKONTAKT<br>Lamp contact                                                  | 00617907            | 001                          |   |   |
| 40                  | ISOLIERWINKEL-FMZ 67139<br>Isolated angle                                      | 00627001            | 005                          |   |   |
| 41                  | ISOLIERFOLIE<br>Isolated film                                                  | 62700400            | 004                          |   |   |
| 42                  | SCHALTPLATTE TENDER BR38<br>Tender PCB BR38                                    | 65712500            | 019                          |   |   |
| 43                  | SCHALTLEITZE 350 mm LANG TIEFSC<br>Connecting cable 350 mm                     | 00667000            | 009                          |   |   |
| 44                  | SCHALTLEITZE 350 mm LANG KASTAN<br>Connecting cable 350 mm                     | 00667001            | 009                          |   |   |
| 45                  | LOKEMPFÄNGER DCC "N" Zimo<br>Decoder                                           | 68713881            | 041                          |   |   |
| 46                  | SCHRAUBE<br>Screw                                                              | 00700205            | 001                          |   |   |
| 47                  | BLECHSCHRAUBE M.KREUZSCHLITZ<br>Tapping screw                                  | 00713309            | 001                          |   |   |
| 48                  | BOLZEN<br>Bolt                                                                 | 00730563            | 002                          |   |   |
| 49                  | BOLZEN F. KUPPELSTANGE<br>Bolt for coupling rod                                | 00730570            | 001                          |   |   |
| 50                  | STECKPUFFER<br>Plug-in buffer                                                  | 75710500            | 002                          |   |   |
| 51                  | PUFFERBOHLE<br>Buffer beam                                                     | 75713901            | 015                          |   |   |
| 52                  | BLATTFEDER F. VORLAUFGESTELL<br>Flat spring for front bogie                    | 00767005            | 001                          |   |   |
| 53                  | BLATTRICHTFEDER F. KUPPLUNG N<br>Flat straightening spring for coupling        | 00767006            | 001                          |   |   |
| 54                  | ANDRUCKFEDER F. VORLAUF 7123/38<br>Pressure spring for wheelset - front        | 00767007            | 001                          |   |   |
| 55                  | ERSATZ SCHLEIFKOHLEN<br>Carbon brushes set                                     | 6518                | ---                          |   |   |
| 56                  | ERS.-GLÜHLAMPE KLAR M. STECKFA<br>Replacement bulb, clear, with plug-in socket | 00006535            | 008                          |   |   |
| 57                  | STANDARD-KUPPLUNG<br>Clip-in exchange coupling                                 | 9522                | ---                          |   |   |



Ersatzteile erhalten Sie direkt unter [www.fleischmann.de](http://www.fleischmann.de), bei Ihrem Fachhändler, oder Ihrer Landesvertretung.  
Spare parts can be ordered directly at [www.fleischmann.de](http://www.fleischmann.de) and from your local dealer or country representative.

Spare parts can be ordered directly at [www.fleischmann.de](http://www.fleischmann.de) and from your local dealer or country representative.