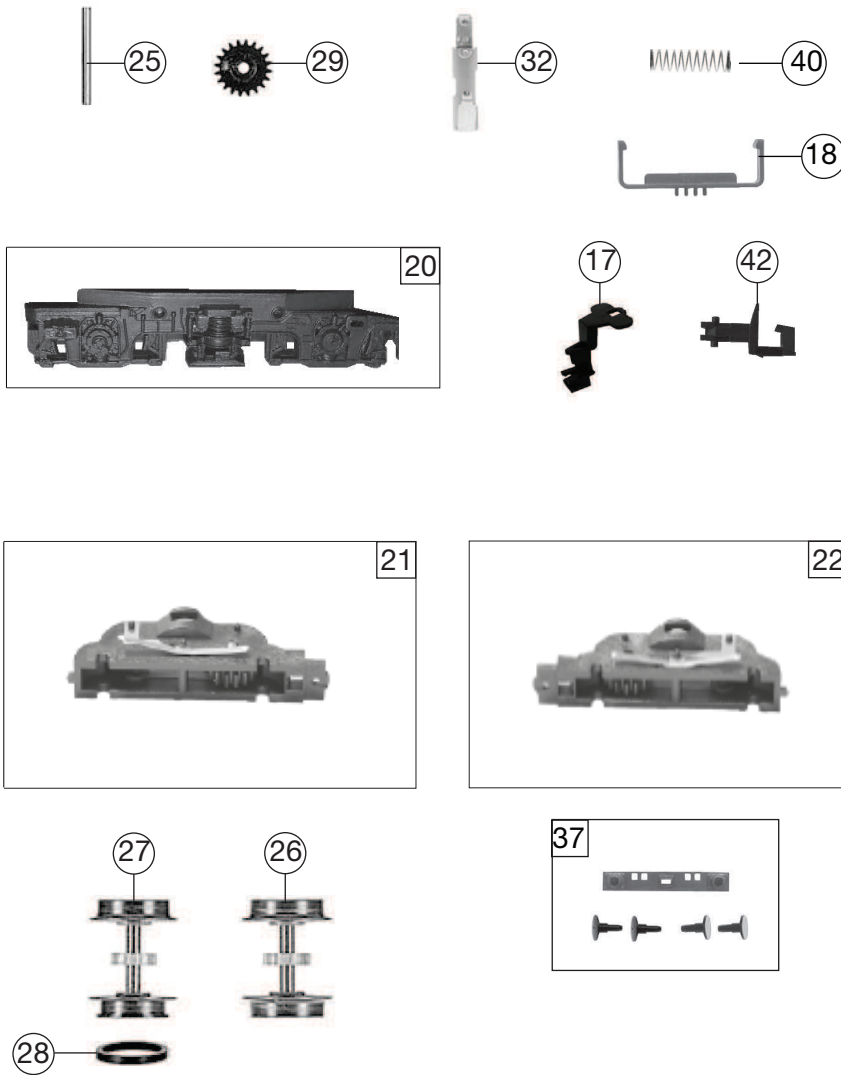


| 733002              |   | BR 110.1            | DB                           | = | N |
|---------------------|---|---------------------|------------------------------|---|---|
| Pos. Nr.<br>Pos.no. | Beschreibung<br>Description   | Art.-Nr.<br>Art.no. | Preisgruppe<br>Price bracket |   |   |
| 1                   | LOKGEHÄUSE KPL. f.733002<br>Body assembly complete                                | 10733002            | 035                          |   |   |
| 2                   | LICHTABDECKUNG -SATZ<br>Light cover - set   | 12733001            | 011                          |   |   |
| 3                   | LICHTMASKE<br>Light mask  | 12733803            | 006                          |   |   |
| 4                   | LICHTLEITER - SATZ<br>Light conductor set   | 13733001            | 005                          |   |   |
| 5                   | ISOLATOREN-SCHALTER -SATZ<br>Isolator,switch set                                  | 14733001            | 015                          |   |   |
| 6                   | FENSTER/SATZ<br>Window set  | 15733001            | 013                          |   |   |
| 7                   | TRAVERSE F. SCHERENSTROMABNEHM<br>Traverse for double arm pantograph              | 17733601            | 006                          |   |   |
| 8                   | PRESSLUFTSCHALTER silber<br>Air pressure switch                                   | 00187326            | 006                          |   |   |
| 9                   | ZUGHAKEN-BREMSKUPPLUNG-SATZ<br>Coupling hook,break coupling set                   | 19733001            | 012                          |   |   |
| 10                  | SCHILDER-SET SCHWARZ LACK<br>Set of plates,black painted                          | 19737802            | 013                          |   |   |
| 11                  | PFEIFE brüniert<br>Whistle  | 00197603            | 003                          |   |   |
| 12                  | ANTENNE MATT VERN.<br>Antenna nickel-plated                                       | 00197824            | 003                          |   |   |
| 13                  | GRIFSTANGEN-SATZ SILBER/BLAU<br>Hand-rail -set                                    | 19795900            | 007                          |   |   |
| 14                  | ZUGHEIZKABEL<br>Train heating cable   | 19793200            | 005                          |   |   |
| 15                  | WISCHER -SATZ<br>Set of wipers  | 19793300            | 013                          |   |   |
| 16                  | TRITT - SATZ<br>Treadle set   | 19793400            | 005                          |   |   |
| 17                  | KUKU-DEICHSEL<br>Short coupling reception   | 38702700            | 007                          |   |   |
| 18                  | HALTEBÜGEL FÜR KUPPLUNG<br>Coupling support                                       | 38902000            | 007                          |   |   |
| 19                  | LOKFAHRGESTELL OHNE MOTOR<br>Loco chassis w/o motor                               | 40733001            | 018                          |   |   |
| 20                  | DREHGESTELLRAHMEN<br>Bogie framework  | 41733603            | 011                          |   |   |
| 21                  | DREHGESTELLBLOCK KPL.VORNE M.S<br>Bogie block complete,front                      | 45733001            | 017                          |   |   |
| 22                  | DREHGESTELLBLOCK KPL.HINTEN M.<br>Bogie block complete,rear                       | 46733001            | 017                          |   |   |
| 23                  | MOTOR<br>Motor  | 50733002            | 028                          |   |   |
| 24                  | KOHLLENHALTER<br>Brush holder   | 00507801            | 001                          |   |   |
| 25                  | ACHSE Z.DG-BEFESTIGUNG<br>Bogie fixation pin                                      | 00527002            | 002                          |   |   |
| 26                  | LOKRADSATZ M.Z.O.N. ROT<br>Loco wheelset with gear wheel w/o trac.tyre            | 00537018            | 012                          |   |   |
| 27                  | RADS.M.Z.M.1 NUT BR 103/110/11<br>Wheelset complete with gear wheel, 1 trac. tyre | 00537037            | 013                          |   |   |
| 28                  | HAFTREIFEN<br>Traction tyre   | 00547002            | 001                          |   |   |



| 733002              |   | BR 110.1            | DB                           | = | N |
|---------------------|---|---------------------|------------------------------|---|---|
| Pos. Nr.<br>Pos.no. | Beschreibung<br>Description   | Art.-Nr.<br>Art.no. | Preisgruppe<br>Price bracket |   |   |
| 29                  | ZAHNRAD Z:20 SCHWARZ<br>Gear wheel Z=20 black                         | 00567101            | 003                          |   |   |
| 30                  | SCHNECKE D = 4MM L = 7MM<br>Worm gear D=4mm, L=7mm                    | 00567605            | 006                          |   |   |
| 31                  | KONTAKTBLECH-SATZ<br>Contacter sheet                                  | 61780300            | 007                          |   |   |
| 32                  | KONTAKTBUJEGEL F.DREHGEST.LOKS<br>Contact plate for bogie type locos  | 00657004            | 013                          |   |   |
| 33                  | MOTORPLATINE kpl. INCL. LICHTP.<br>Motor PCB complete incl. light PCB | 65719000            | 020                          |   |   |
| 34                  | SCHNITTST.-BLINDSTECKER 6-POL.<br>Jumper 6-pin                        | 66401600            | 013                          |   |   |
| 35                  | SCHERENSTROMABNEHMER N<br>Double arm pantograph                       | 67706300            | 020                          |   |   |
| 36                  | SCHRAUBE M1,7x2,5<br>Screw M1,7x2,5                                   | 70900035            | 002                          |   |   |
| 37                  | PUFFERBOHLE KPL.<br>Frontside framework, complete                     | 75733001            | 011                          |   |   |
| 38                  | STECKPUFFER (GEWÖLBT)<br>Plug-in buffer (curved)                      | 00757011            | 002                          |   |   |
| 39                  | STECKPUFFER (FLACH)<br>Plug-in buffer (flat)                          | 00757012            | 002                          |   |   |
| 40                  | DRUCKFEDER<br>Pressure spring   | 00767012            | 001                          |   |   |
| 41                  | ERSATZ SCHLEIFKOHLEN<br>Carbon brushes set                            | 6518                | ---                          |   |   |
| 42                  | STANDARD-STECKKUPPLUNG<br>Clip-in coupling                            | 9525                | ---                          |   |   |